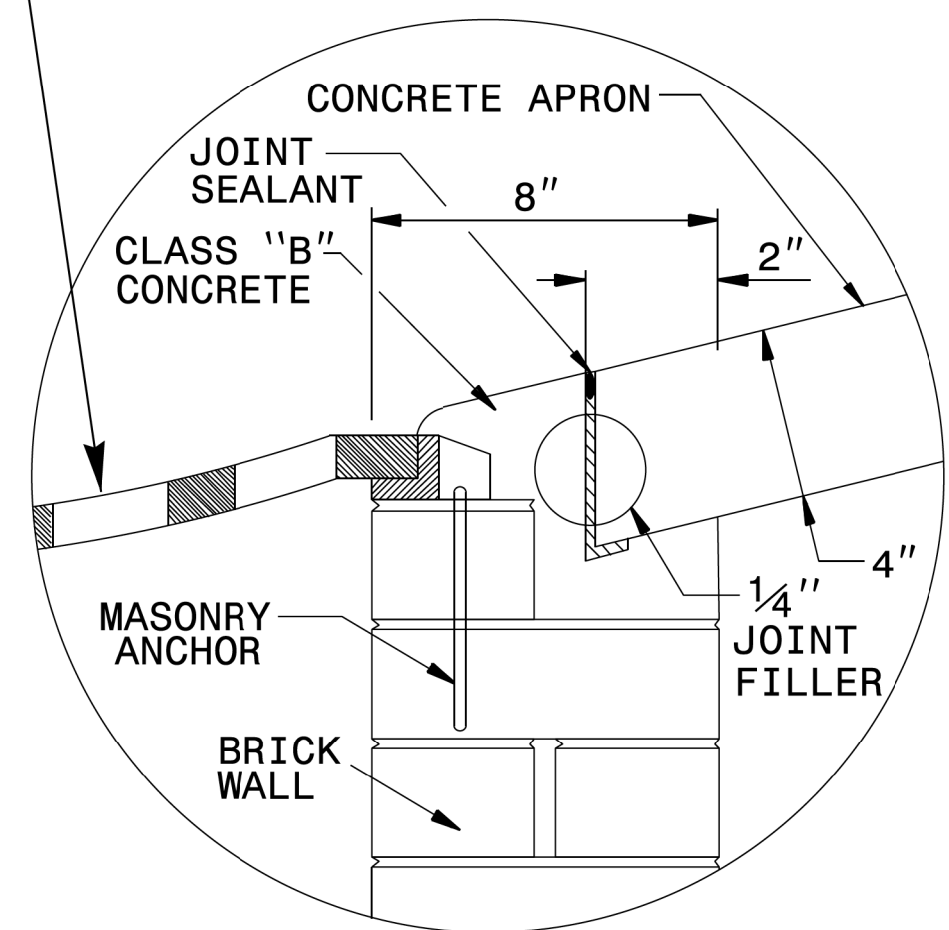


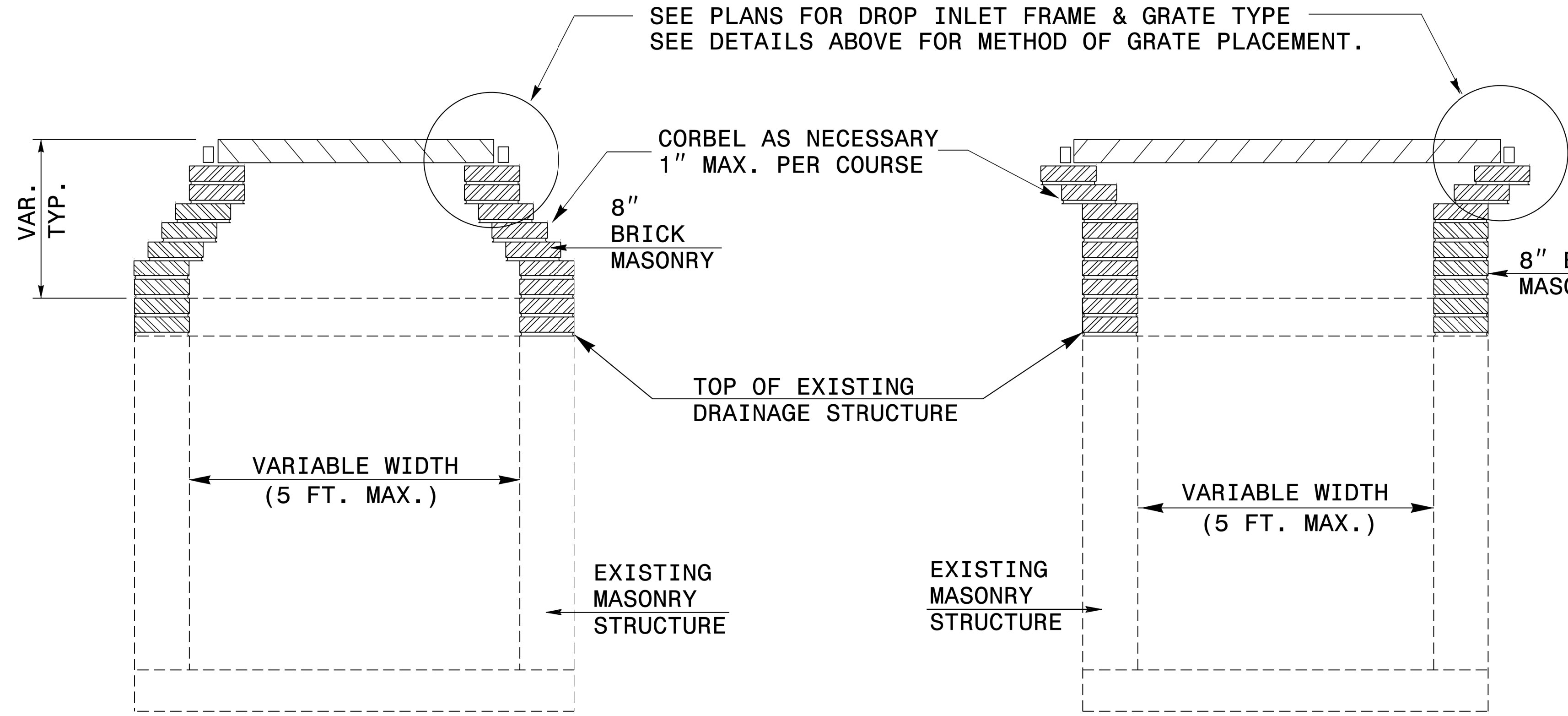
GRATE PLACEMENT DETAIL
FOR DROP INLETS



GRATE PLACEMENT DETAIL
FOR GRATED DROP INLETS

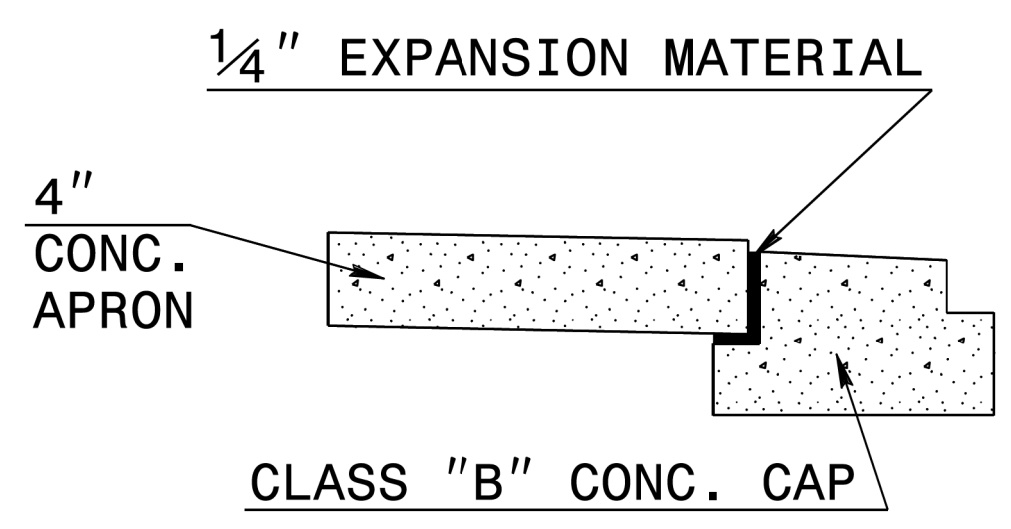
GENERAL NOTES:

- CONSTRUCT IN ACCORDANCE WITH SECTION 859 OF THE STANDARD SPECIFICATIONS.
- USE CLASS B CONCRETE.
- THE DIMENSIONS FOR THE EXISTING BOXES ARE APPROXIMATE AND MAY VARY SLIGHTLY.
- JUMBO CONCRETE BRICK WILL BE PERMITTED. 4" CONCRETE BRICK OR 8" SOLID CONCRETE BLOCK ARE REQUIRED FOR DRAINAGE STRUCTURE.
- INCLUDE 18" CONCRETE APRON IN UNIT PRICE BID PER EACH, CONVERT EXISTING CATCH BASIN TO DROP INLET.
- SPECIAL DESIGN IS REQUIRED FOR USE UNDER PAVEMENT.
- CONFIRM DIMENSIONS ON EACH INDIVIDUAL FRAME & GRATE PROPOSAL.
- SEE STD. DRAWING 840.25 FOR MASONRY ANCHORAGE.

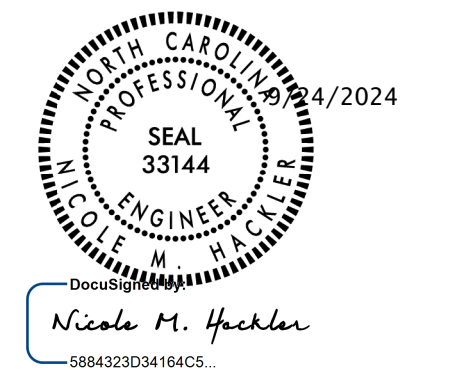


TYPICAL SECTION

TYPICAL SECTION



EXPANSION JOINT DETAIL



CONTRACT STANDARDS AND DEVELOPMENT UNIT	
Office 919-707-6950	FAX 919-250-4119
DETAIL TO CONVERT EXISTING CATCH BASIN OR JUNCTION BOX TO DI OR 2-GI	
ORIGINAL BY: T.S.S.	DATE: NOV. 1997
MODIFIED BY: T.S.S.	DATE: FEB. 2000
CHECKED BY:	DATE:
FILE SPEC.: s:usr/details/stand/cbtod102.dgn	

5/14/99
8/26/2024
I:\Roadway\B\26\2024\Sheet\4015a_rdy_psh02-C.dgn