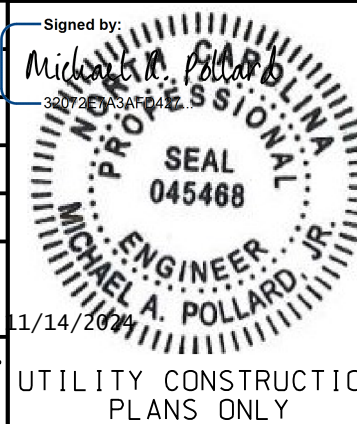


DESIGNED BY: SSM
DRAWN BY: SSM
CHECKED BY: HMH
APPROVED BY: MAP

REVISI
NORTH CAROLINA
DEPARTMENT OF
TRANSPORTATION
UTILITIES ENGINEERING SEC.
PHONE: (919) 707-6690
FAX: (919) 250-4151

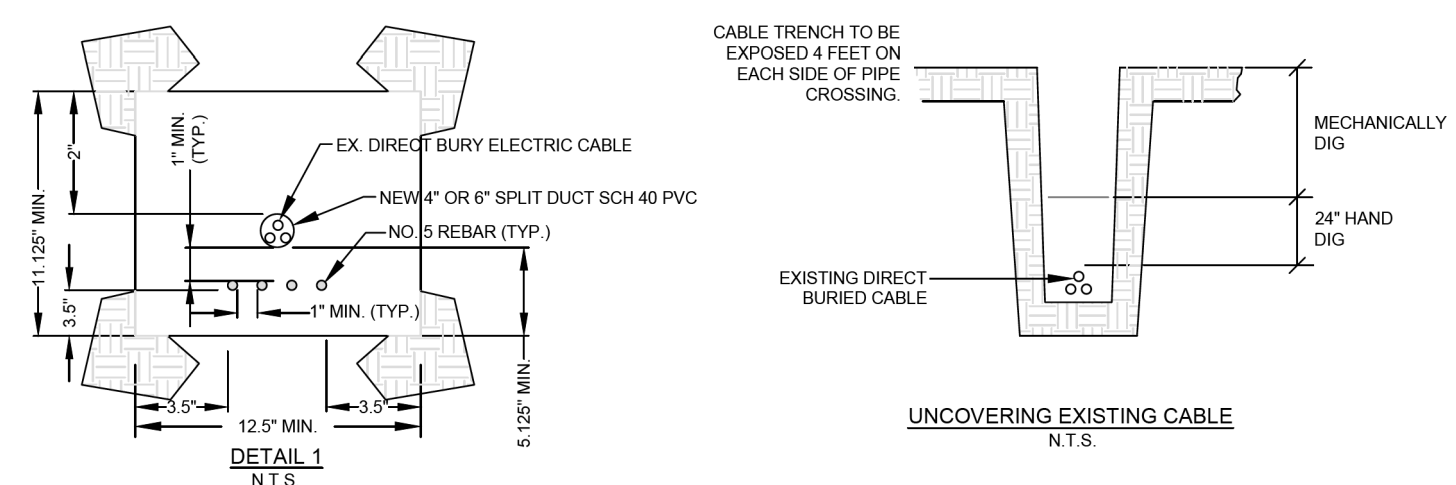
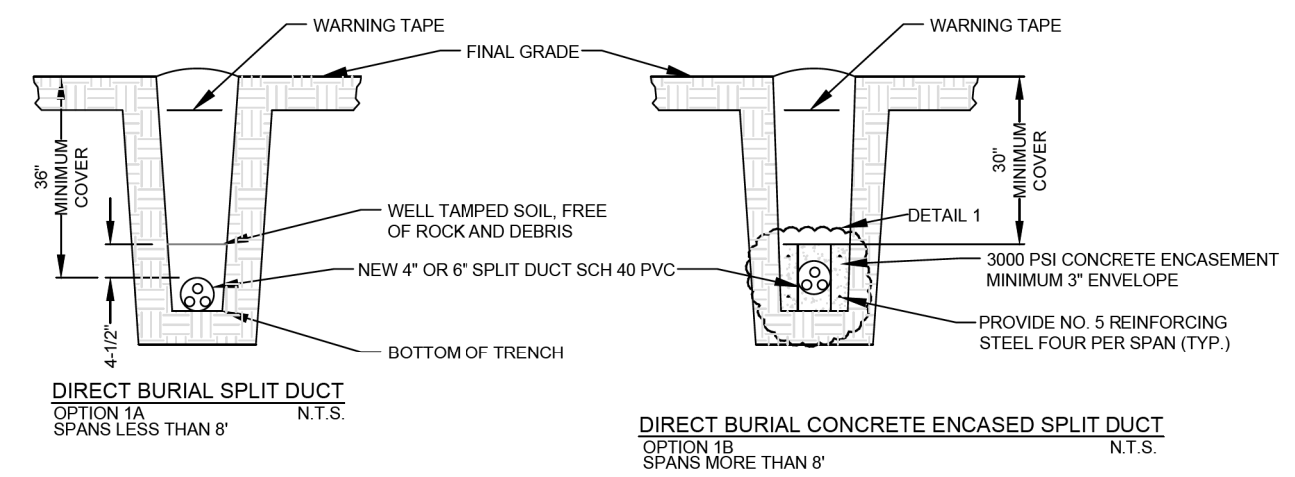


DOCUMENT NOT CONSIDERED FINAL
UNLESS ALL SIGNATURES COMPLETED

UTILITY CONSTRUCTION
PLANS ONLY

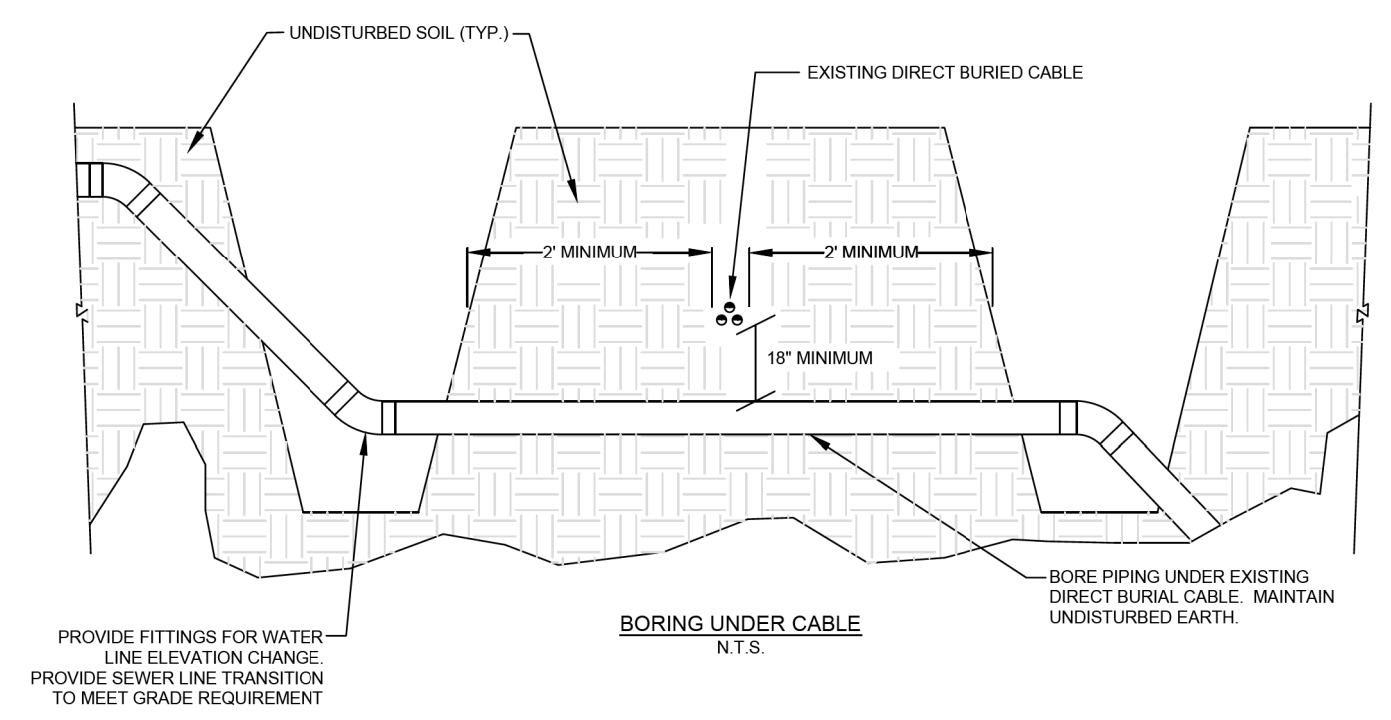
UTILITY CONSTRUCTION

- BOTTOM OF TRENCH SHALL BE FREE OF LOOSE ROCK. SOLID ROCK AT BOTTOM OF TRENCH SHALL BE COVERED WITH 4 INCH LAYER OF COMPACTED SOIL. IF SOLID ROCK IS ENCOUNTERED AT A DEPTH LESS THAN SPECIFIED, CONSULT ENGINEER. IF TRENCH CROSSES FILL DIRT, BOTTOM OF TRENCH SHALL BE COMPACTED BEFORE INSTALLING ANY CABLE.
- BACKFILL SHALL BE FREE OF ROCK AND DEBRIS. TAMP THE FIRST 6 INCHES OF BACKFILL ABOVE DIRECT BURIED FEEDER CABLES. TAMP THE FIRST 6 INCHES OF BACKFILL FOR ALL OTHER CABLES. ENTIRE TRENCH DEPTH SHALL BE TAMPED FOR RESIDENTIAL SERVICE LATERALS, UNDER AREAS TO BE PAVED, AND ALL STREET CROSSINGS. TAMPED MEANS SOIL COMPACTION TO THAT OF UNDISTURBED EARTH USING ALTERNATE BACKFILL AND TAMPING. IN ALL OTHER CASES UNLESS SPECIFIED BY THE ENGINEER, BACKFILLS ABOVE THE BOTTOM TAMPED LAYER SHALL BE COMPACTED SUCH THAT WASHING AND SETTLING OF THE TRENCH SURFACE SHALL NOT OCCUR.
- REFER TO SPECIFICATIONS FOR COMPLETER INSTALLATION.
- ALL WORK SHALL BE PLANNED AND COORDINATED WITH THE AFFECTED UTILITY PROVIDER.
- ALL WORK SHALL BE PERFORMED BY OR UNDER THE DIRECT SUPERVISION OF A LICENSED ELECTRICAL CONTRACTOR.
- UTILITY PROVIDER WILL BE RESPONSIBLE FOR SECTIONALIZING AND DE-ENERGIZING THE CONDUCTOR.
- ALL AFFECTED OUTAGE CUSTOMERS SHALL BE NOTIFIED IN WRITING 48 HOURS IN ADVANCE. OUTAGE SHALL BE KEPT TO A MAXIMUM OF 2 HOURS PER HOUSEHOLD.
- ALL MATERIALS SHALL BE IN ACCORDANCE WITH N.E.C. REQUIREMENTS.
- CONTRACTOR SHALL UTILIZE ALL SAFETY PROCEDURES PER NATIONAL ELECTRIC SAFETY CODE AND O.S.H.A.
- ELECTRICAL CABLES DAMAGED DUE TO UNCOVERING CONDUCTORS, THE UTILITY PROVIDER SHALL REPAIR AT THE CONTRACTOR'S EXPENSE.



ELECTRICAL NOTES DETAIL		FAYETTEVILLE PUBLIC WORKS COMMISSION FAYETTEVILLE, N.C.		WATER RESOURCES ENGINEERING DEPARTMENT	
SHEET NO. 1 OF 1	DWG. NO. M.9 DATE: JULY 01, 2024	DWG. BY: FAYPWC APPROVED BY: M.M.M.	NO. 1	DATE 07/23/03	REVISION DELETED NOTE 1 AND RENUMBERED SHEET

UNDERGROUND ELECTRIC CABLE BURIAL AND UNCOVERING DETAIL		FAYETTEVILLE PUBLIC WORKS COMMISSION FAYETTEVILLE, N.C.		WATER RESOURCES ENGINEERING DEPARTMENT	
SHEET NO. 1 OF 1	DWG. NO. M.10 DATE: JULY 01, 2024	DWG. BY: FAYPWC APPROVED BY: M.M.M.	NO. 1	DATE 07/23/03	REVISION ADDED DETAIL 1, RENUMBERED SHEET



BORING UNDER ELECTRIC CABLE DETAIL		FAYETTEVILLE PUBLIC WORKS COMMISSION FAYETTEVILLE, N.C.		WATER RESOURCES ENGINEERING DEPARTMENT	
SHEET NO. 1 OF 1	DWG. NO. M.11 DATE: JULY 01, 2024	DWG. BY: FAYPWC APPROVED BY: M.M.M.	NO. 1	DATE 07/23/03	REVISION RENUMBERED SHEET

REVISIONS

NOTE:
ANY REFERENCE TO FAYPWC PROJECT COORDINATOR, PWC COORDINATOR OR FAYPWC (FAYETTEVILLE PUBLIC WORKS COMMISSION) SHALL BE INTERPRETTED AS A REFERENCE TO THE ENGINEER.