

**CDM Smith**  
 CDM Smith Inc.  
 5400 Glenwood Avenue  
 Suite 400  
 Raleigh, NC 27612-3228  
 NC COA No. F-1255

PROJECT REFERENCE NO. U-3422  
 SHEET NO. UC-03G

DESIGNED BY: SSM  
 DRAWN BY: SSM  
 CHECKED BY: HMH  
 APPROVED BY: MAP

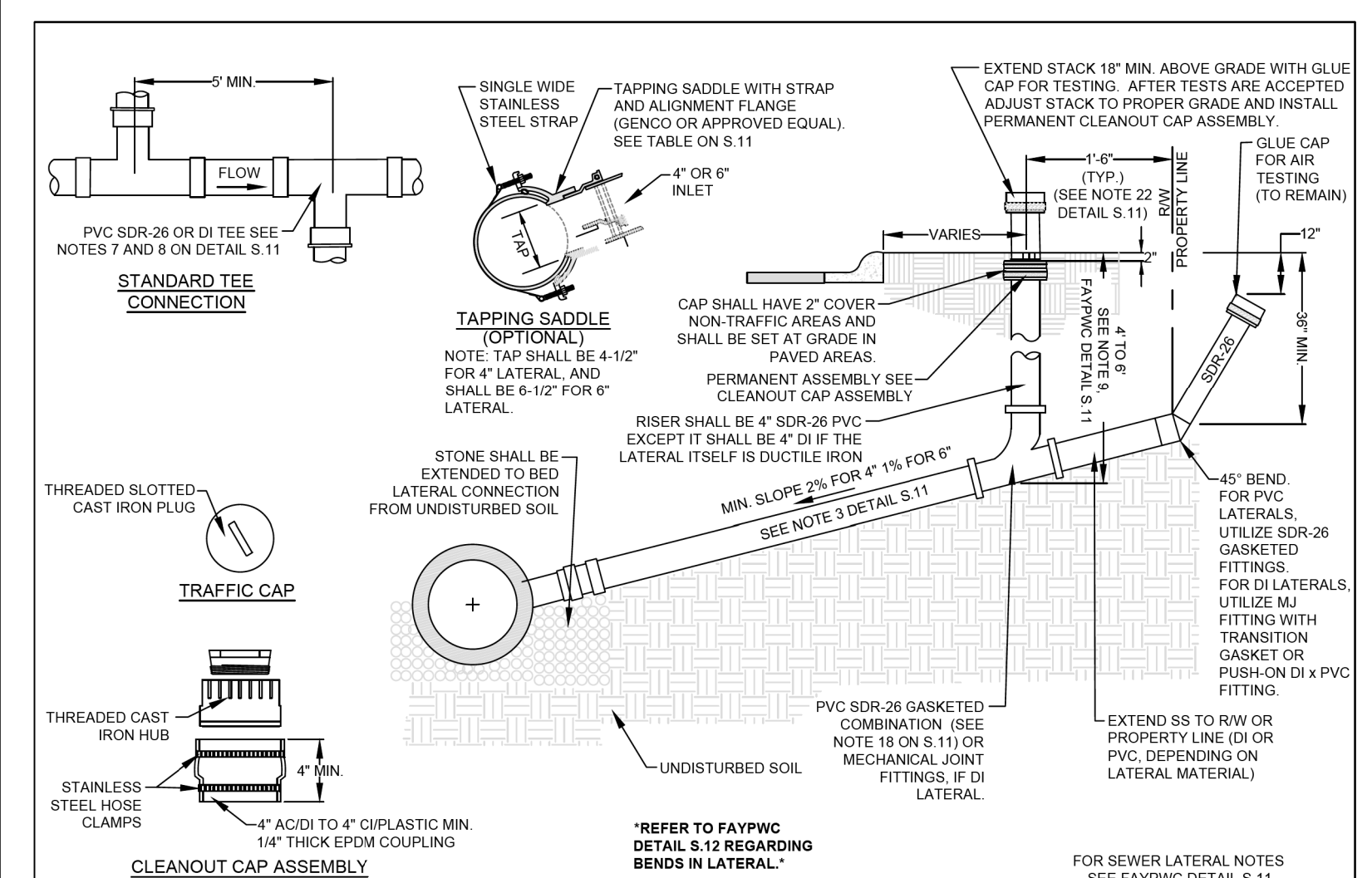
DOCUMENT NOT CONSIDERED FINAL  
 UNLESS ALL SIGNATURES COMPLETED

REVISIONS:  
 NORTH CAROLINA  
 DEPARTMENT OF  
 TRANSPORTATION  
 UTILITIES ENGINEERING SEC.  
 PHONE: (919) 707-6690  
 FAX: (919) 250-4151

SEAL  
 045468  
 ENGINEER  
 MICHAEL A. POLLARD  
 11/14/2018

UTILITY CONSTRUCTION  
 PLANS ONLY

# UTILITY CONSTRUCTION



SEWER LATERAL (4-INCH AND 6-INCH) N.T.S.		FAYETTEVILLE PUBLIC WORKS COMMISSION FAYETTEVILLE, N.C.		WATER RESOURCES ENGINEERING DEPARTMENT	
SHEET NO. 1 OF 1	DWG. NO. S.10	DWG. BY: FAY/PMC	APPROVED BY: M.M.M.	DATE: JULY 01, 2024	DATE: JULY 01, 2024

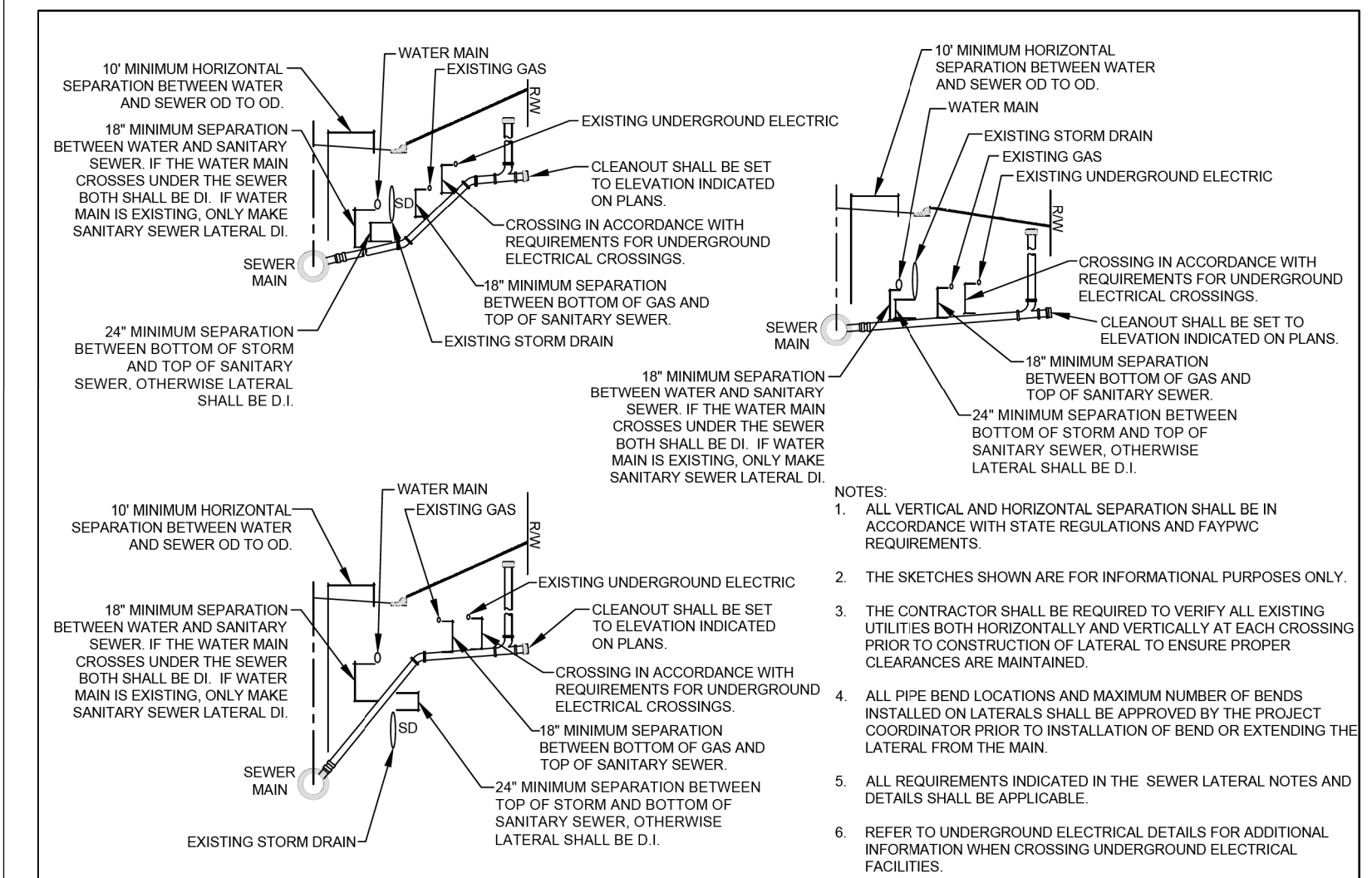
- ### SEWER LATERAL NOTES
- HOLE IN SANITARY SEWER MAIN MUST BE CUT WITH SHELL CUTTER. NO HAMMER TAPS ALLOWED.
  - LATERAL SHALL CONFORM TO ASTM SPECS. D-3034 SDR-26 UNLESS OTHERWISE INDICATED AS DI.
  - ALL PIPE AND FITTINGS SHALL BE 4" OR 6" UNLESS OTHERWISE SPECIFIED.
  - ALL DI PIPE SHALL HAVE AN INTERIOR LINING OF CERAMIC EPOXY (PROTECTO 401). THE ENTIRE DI LATERAL SHALL BE COMPRISED OF DI PIPE AND MECHANICAL JOINT FITTINGS.
  - ALL CONNECTIONS SHALL HAVE RUBBER GASKET SEALS INSTALLED.
  - SANITARY SEWER LATERAL CLEANOUT STACK SHALL BE LOCATED 18" FROM WATER LATERAL LOCK VALVE WHEN IN THE SAME DITCH.
  - INSTALLATION OTHER THAN AS SHOWN MUST BE APPROVED BY THE FAY/PMC.
  - CONNECTIONS TO THE TOP OF MAIN SHALL NOT BE ALLOWED, UNLESS OTHERWISE APPROVED BY THE FAY/PMC PROJECT COORDINATOR.
  - THE DESIGN ENGINEER SHALL DETERMINE THE SLOPE AND DEPTH OF THE LATERAL BASED ON THE TOPOGRAPHY OF THE LOT.
  - LATERAL SHALL CONFORM TO 2% MINIMUM SLOPE FOR 4" OR 1% MINIMUM SLOPE FOR 6". THE MAXIMUM LENGTH OF A SEWER LATERAL SHALL BE 60 FEET, UNLESS OTHERWISE APPROVED BY FAY/PMC.
  - SEE INTERIOR DROP STRUCTURE OR SLIDE, MORTAR SLIDE AND SHEET DETAIL FOR VERTICAL DROPS OF MAINS AND LATERALS.
  - LATERALS LESS THAN 9" IN DEPTH OR GREATER THAN 20' DEPTH SHALL UTILIZE DUCTILE IRON PIPE AND FITTINGS WITH CERAMIC EPOXY (PROTECTO 401), OR WHEN SEPARATION REQUIREMENTS CANNOT BE MET.
  - ENTIRE SEWER LATERAL ASSEMBLY SHALL BE AIR TESTED CONCURRENTLY WITH SEWER MAIN.
  - INDIVIDUAL LATERALS SHALL BE CLEANED AND FLUSHED PRIOR TO FLUSHING SANITARY SEWER MAINS.
  - LATERAL SHALL NOT BE BACK-FILLED UNTIL INSPECTED BY THE FAY/PMC PROJECT COORDINATOR.
  - WYE CONNECTIONS SHALL NOT BE USED TO THE LATERALS INTO A MANHOLE.
  - IF BENDS ARE APPROVED BY THE PROJECT COORDINATOR, STONE BEDDING IS REQUIRED TO BE INSTALLED FROM UNDISTURBED (SEE DETAIL S.12) SOIL TO BOTTOM OF BEND.
  - PVC COMBINATION SHALL BE A MOLDED WYE AND BEND, GASKETED, SDR-26, AS MANUFACTURED BY HARCO, GPK, OR APPROVED EQUAL.
  - NO MORE THAN 4, FOUR-INCH LATERALS OR 3, SIX-INCH LATERALS SHALL ENTER A 4" DIAMETER TERMINAL MANHOLE. NO MORE THAN 2 LATERALS (REGARDLESS OF SIZE) SHALL ENTER ALL OTHER 4" DIAMETER MANHOLES. ALL LATERALS SHALL HAVE AN INDIVIDUAL TROUGH. 5" DIAMETER MANHOLES SHALL BE USED IF THE ABOVE CONDITIONS ARE NOT MET.
  - ALL LATERALS 18" AND 9" SHALL UTILIZE A 4" RISER (STACK).
  - REFER TO DETAIL S.12 FOR SEPARATION REQUIREMENTS.
  - FOR SINGLE FAMILY RESIDENTIAL LOTS, CLEANOUT SHALL BE LOCATED 18" FROM FRONT-OF-WAY OR EASEMENT. FOR ALL NON-SINGLE FAMILY LOTS, CLEANOUT SHALL BE NO CLOSER THAN 10' TO FRONT OF BUILDING, UNLESS OTHERWISE APPROVED BY FAY/PMC.

THE FOLLOWING TABLE SUMMARIZES THE MATERIALS TO BE UTILIZED FOR SEWER MAIN TO LATERAL CONNECTIONS:

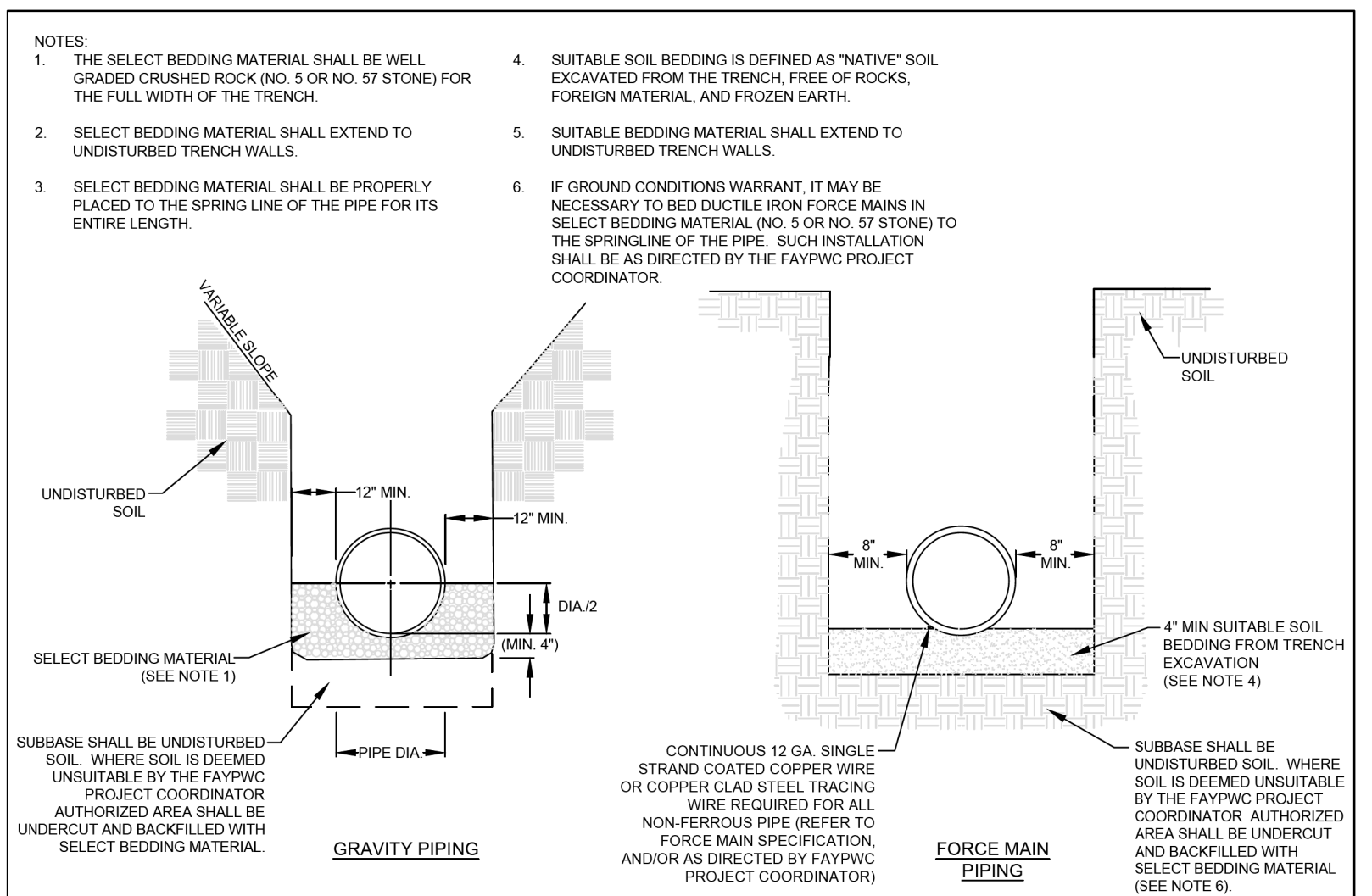
	PVC Main	DI Main
DI Lateral	DI fitting or approved saddle	MJ fitting or approved saddle
PVC Lateral	PVC fitting or approved saddle	MJ fitting with transition gasket or approved saddle

NOTE: REFER TO FAY/PMC TECHNICAL SPECIFICATIONS FOR ADDITIONAL INFORMATION.

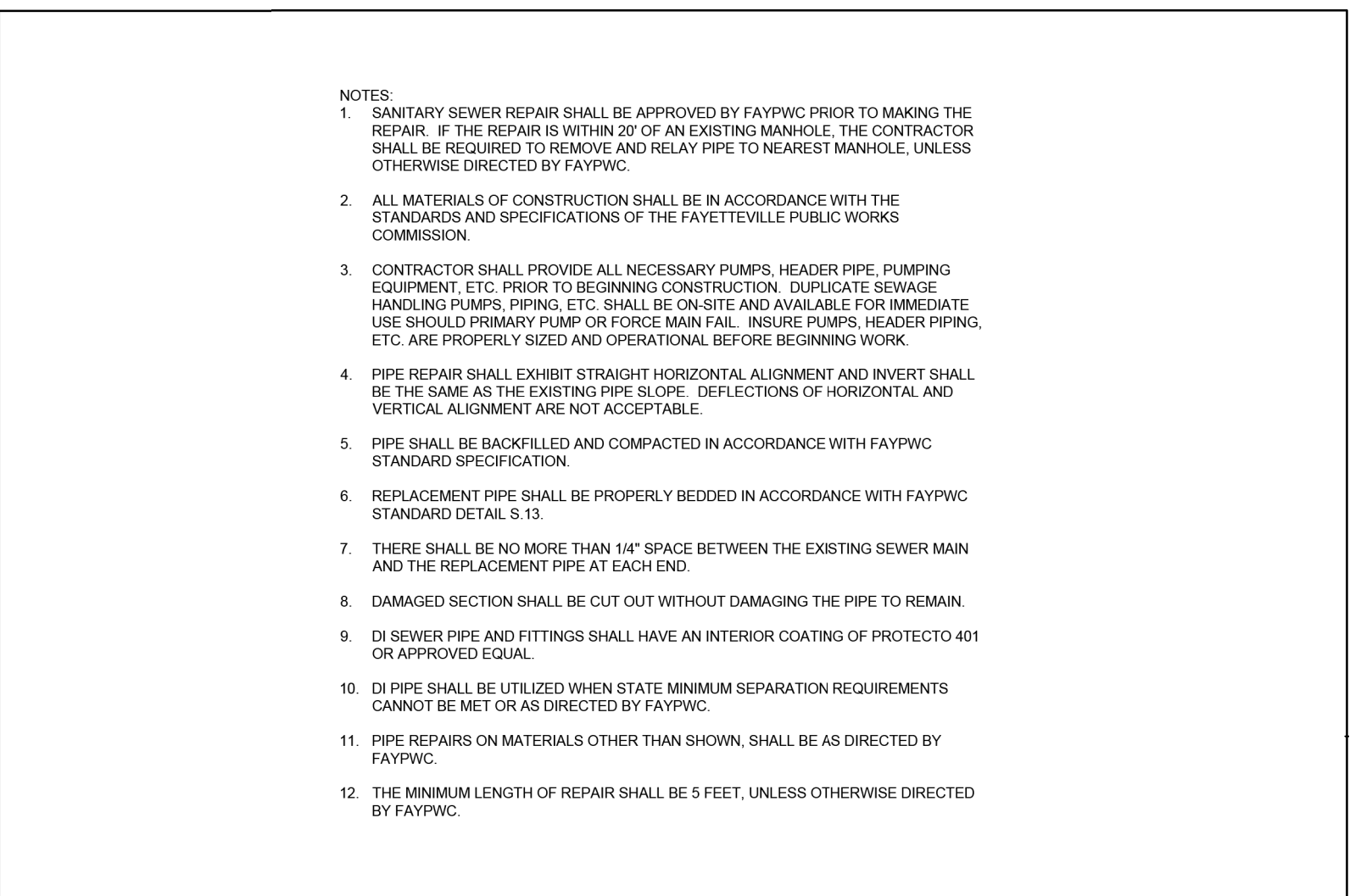
SEWER LATERAL NOTES (4-INCH AND 6-INCH)		FAYETTEVILLE PUBLIC WORKS COMMISSION FAYETTEVILLE, N.C.		WATER RESOURCES ENGINEERING DEPARTMENT	
SHEET NO. 1 OF 1	DWG. NO. S.11	DWG. BY: FAY/PMC	APPROVED BY: M.M.M.	DATE: JULY 01, 2024	DATE: JULY 01, 2024



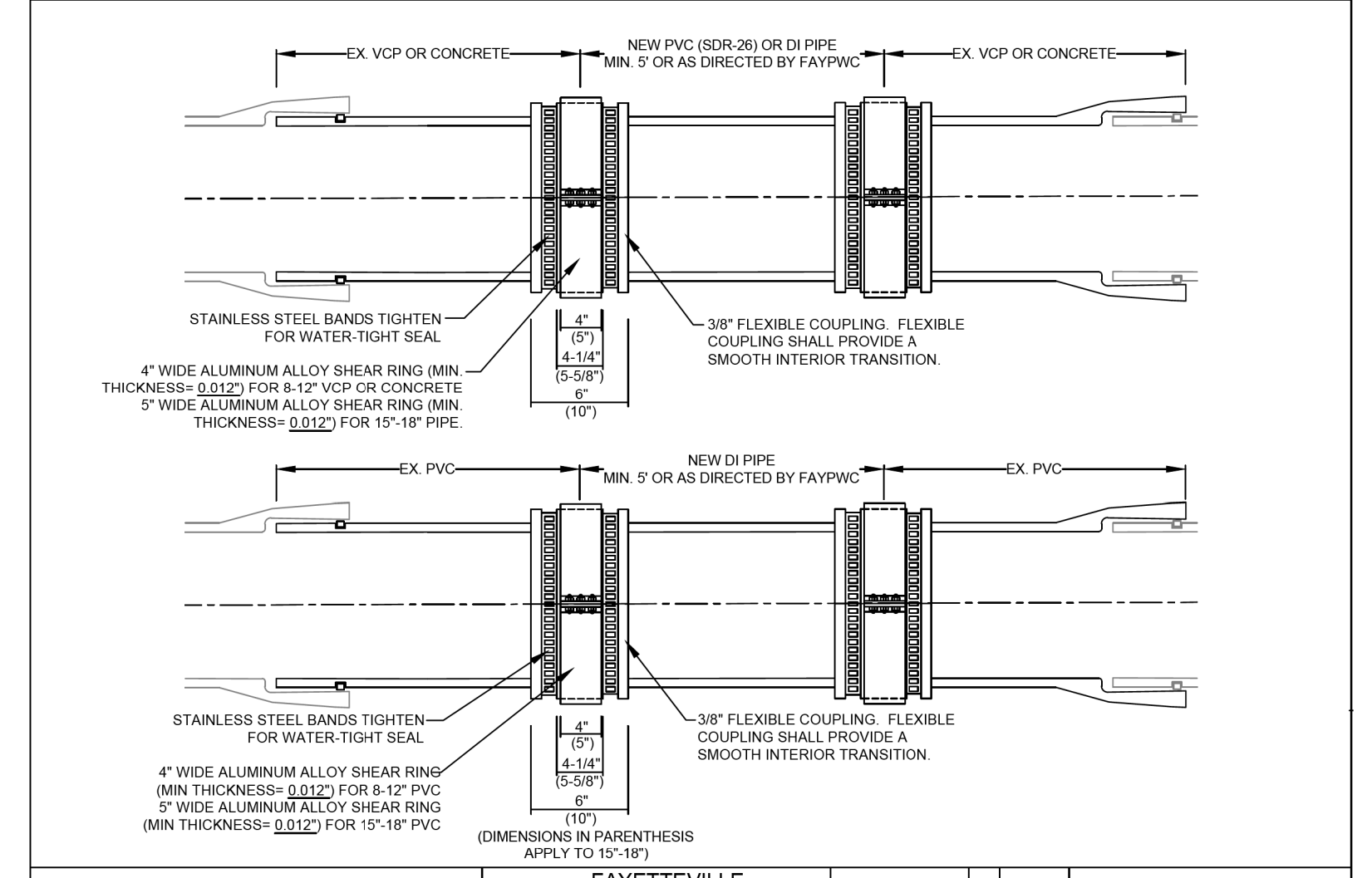
SEWER BEDDING N.T.S.		FAYETTEVILLE PUBLIC WORKS COMMISSION FAYETTEVILLE, N.C.		WATER RESOURCES ENGINEERING DEPARTMENT	
SHEET NO. 1 OF 1	DWG. NO. S.13	DWG. BY: FAY/PMC	APPROVED BY: M.M.M.	DATE: JULY 01, 2024	DATE: JULY 01, 2024



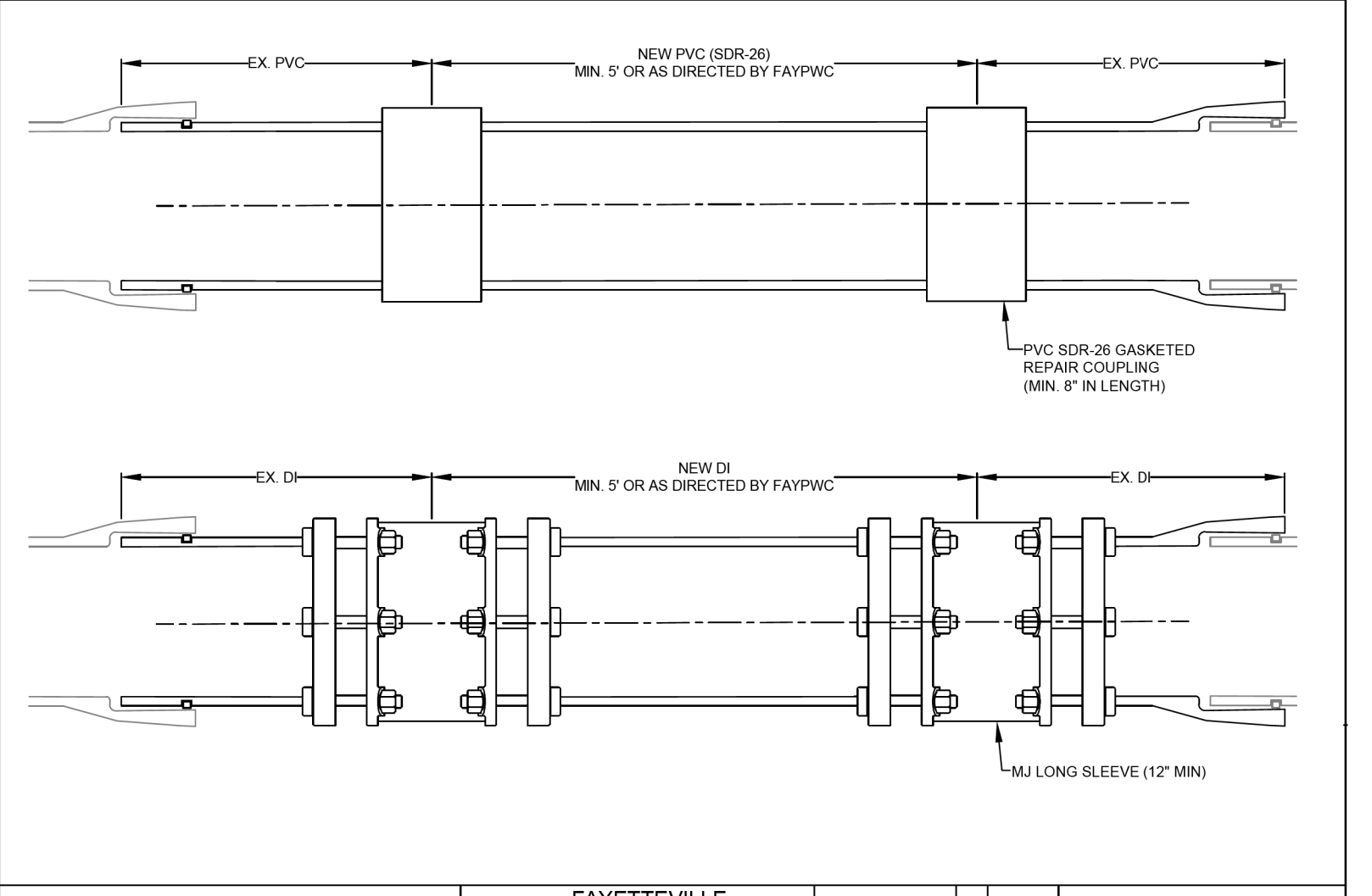
GRAVITY SANITARY SEWER PIPE REPAIR N.T.S.		FAYETTEVILLE PUBLIC WORKS COMMISSION FAYETTEVILLE, N.C.		WATER RESOURCES ENGINEERING DEPARTMENT	
SHEET NO. 1 OF 3	DWG. NO. S.15	DWG. BY: FAY/PMC	APPROVED BY: M.M.M.	DATE: JULY 01, 2024	DATE: JULY 01, 2024



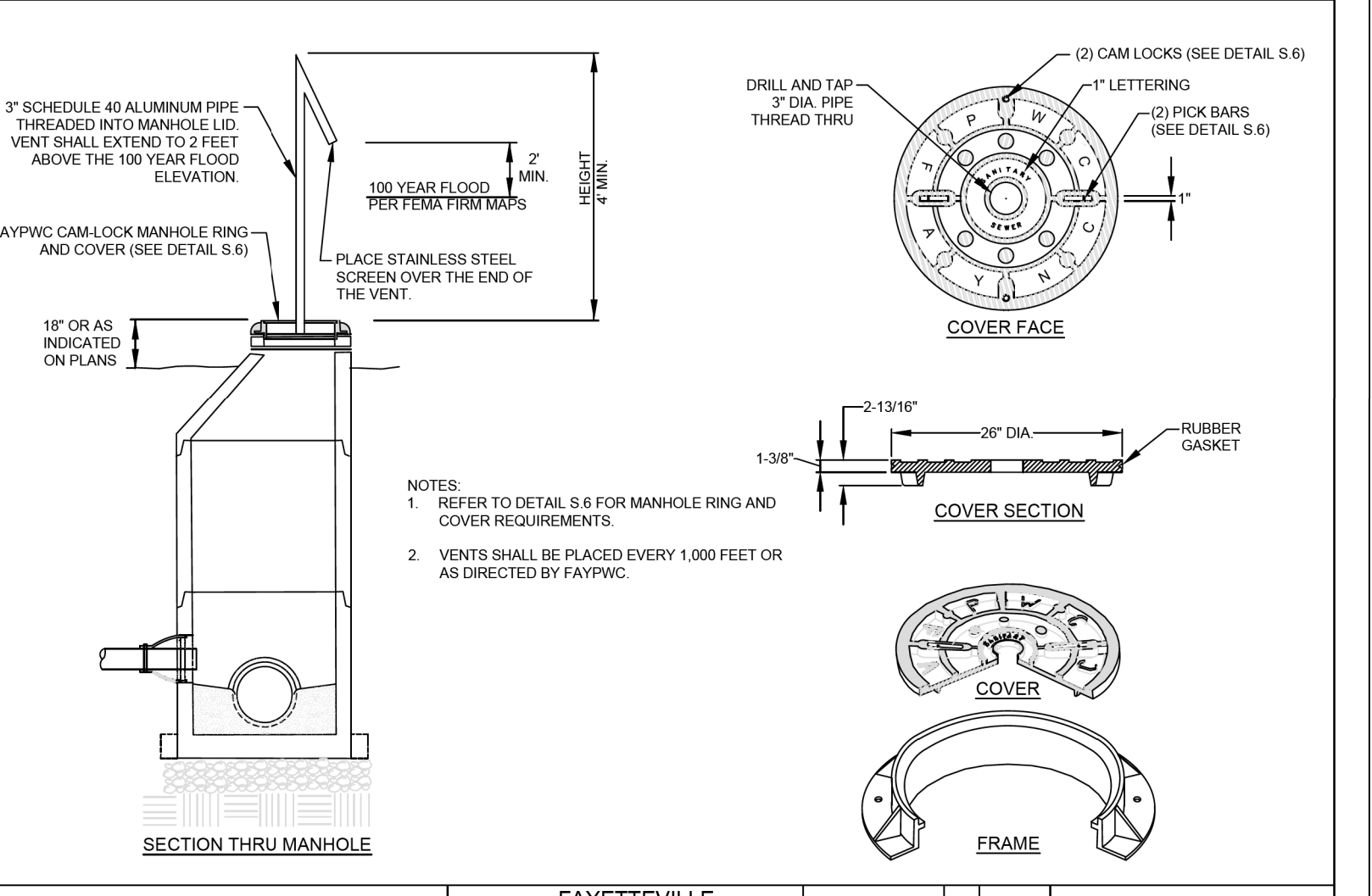
GRAVITY SANITARY SEWER PIPE REPAIR N.T.S.		FAYETTEVILLE PUBLIC WORKS COMMISSION FAYETTEVILLE, N.C.		WATER RESOURCES ENGINEERING DEPARTMENT	
SHEET NO. 1 OF 3	DWG. NO. S.15	DWG. BY: FAY/PMC	APPROVED BY: M.M.M.	DATE: JULY 01, 2024	DATE: JULY 01, 2024



GRAVITY SANITARY SEWER PIPE REPAIR N.T.S.		FAYETTEVILLE PUBLIC WORKS COMMISSION FAYETTEVILLE, N.C.		WATER RESOURCES ENGINEERING DEPARTMENT	
SHEET NO. 2 OF 3	DWG. NO. S.15	DWG. BY: FAY/PMC	APPROVED BY: M.M.M.	DATE: JULY 01, 2024	DATE: JULY 01, 2024



GRAVITY SANITARY SEWER PIPE REPAIR N.T.S.		FAYETTEVILLE PUBLIC WORKS COMMISSION FAYETTEVILLE, N.C.		WATER RESOURCES ENGINEERING DEPARTMENT	
SHEET NO. 3 OF 3	DWG. NO. S.15	DWG. BY: FAY/PMC	APPROVED BY: M.M.M.	DATE: JULY 01, 2024	DATE: JULY 01, 2024



MANHOLE VENT N.T.S.		FAYETTEVILLE PUBLIC WORKS COMMISSION FAYETTEVILLE, N.C.		WATER RESOURCES ENGINEERING DEPARTMENT	
SHEET NO. 1 OF 1	DWG. NO. S.17	DWG. BY: FAY/PMC	APPROVED BY: M.M.M.	DATE: JULY 01, 2024	DATE: JULY 01, 2024

REVISIONS

-SYSTEM TO 02422 Ut\_dtl\_UC03-3H.dgn  
 11/14/2018