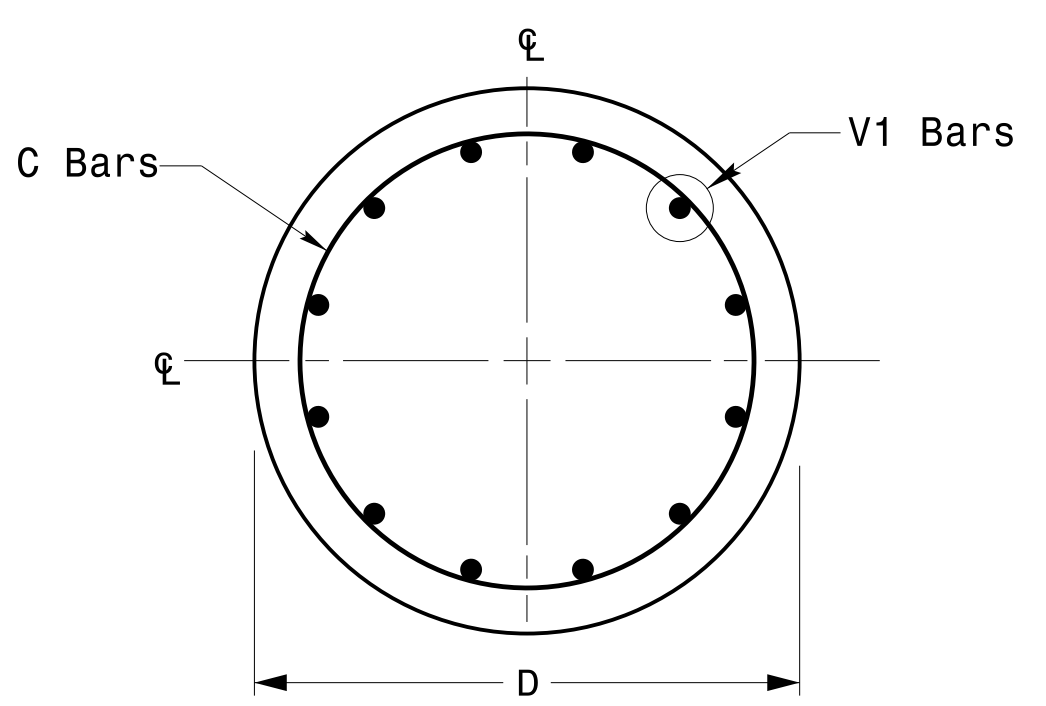
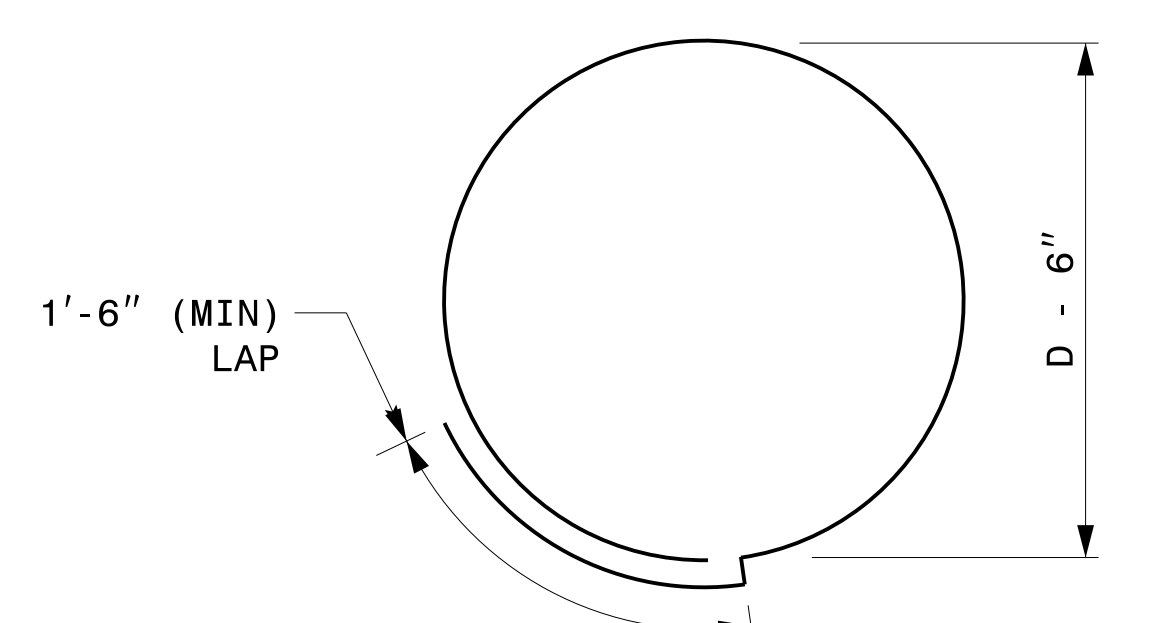


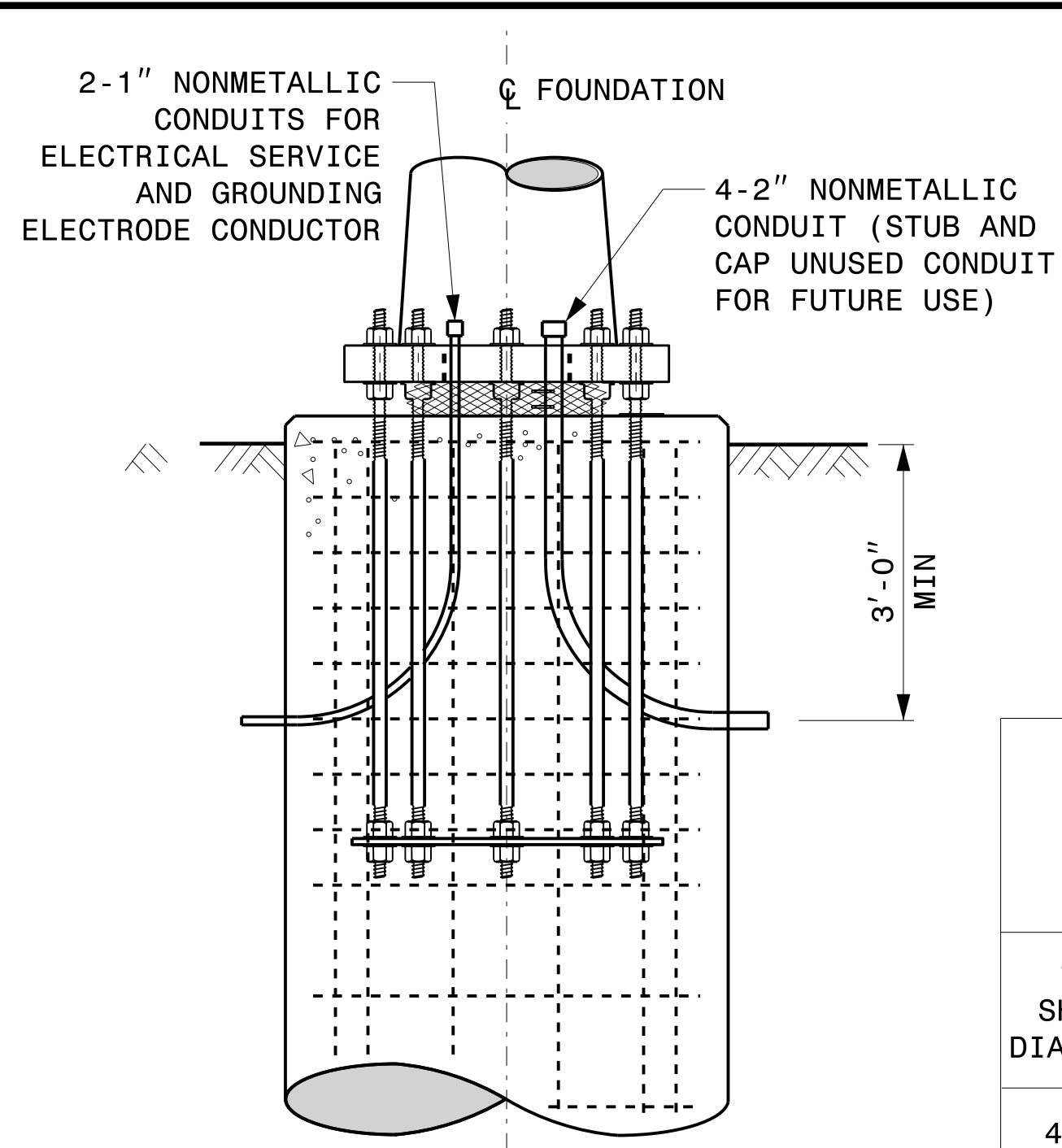
CONCRETE SHAFT ELEVATION



SECTION A-A



TYPICAL \"C\" BAR DETAIL



TYPICAL FOUNDATION CONDUIT DETAILS

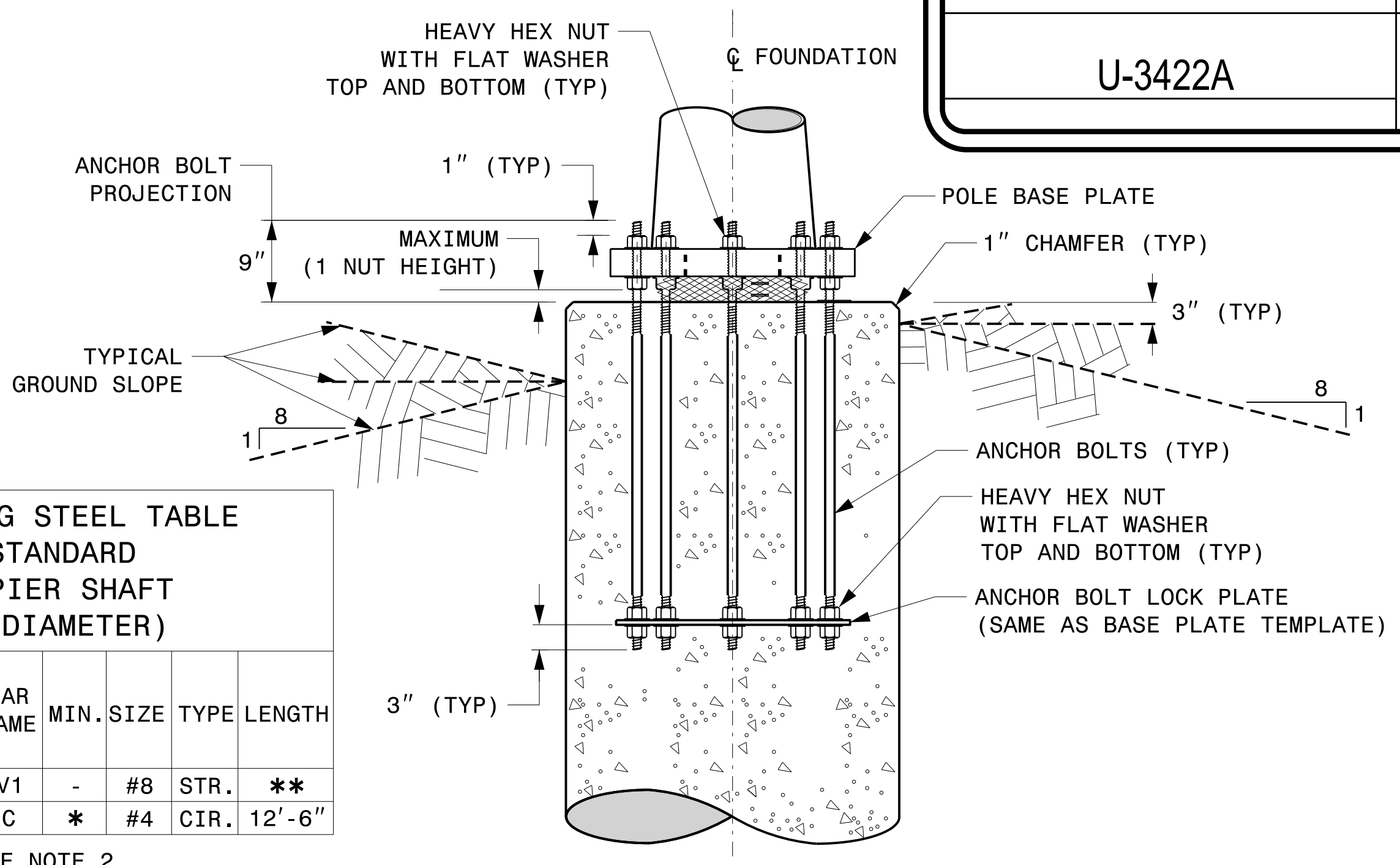
GENERAL NOTES:

- IF ACTUAL SUBSURFACE CONDITIONS DIFFER SIGNIFICANTLY FROM BORING DATA, CONTACT THE ENGINEER BEFORE EXCAVATING OR PLACING CONCRETE.
- CIRCULAR TIE REINFORCING RINGS MAY BE VERTICALLY ADJUSTED BY +/-3" AT A DEPTH BETWEEN 2'-0" AND 3'-0" TO FACILITATE THE INSTALLATION OF ELECTRICAL CONDUIT ENTERING INTO THE CAGE.
- FOR STANDARD FOUNDATIONS, SEE SHEET SIG. M8 FOR DETAILS. VERTICAL REINFORCING BARS (V1) MAY BE HORIZONTALLY ADJUSTED BY +/-3" TO FACILITATE THE INSTALLATION OF ELECTRICAL CONDUIT ENTERING INTO THE CAGE.
- PROVIDE 2" TO 5" FOUNDATION PROJECTION ABOVE GROUND LEVEL, DEPENDING ON THE GROUND SLOPE.
- UNLESS OTHERWISE SHOWN, FOUNDATION DESIGNS ARE BASED ON NON-SLOPING LEVEL GROUND SURFACES WITH SLOPE RATIOS OF 8:1 (H:V) OR FLATTER. IF ACTUAL GROUND LINE SLOPES ARE STEEPER, CONTACT THE ENGINEER BEFORE EXCAVATING OR PLACING CONCRETE.
- CONSTRUCT FOUNDATIONS IN ACCORDANCE WITH NCDOT STANDARD PROVISIONS SP09 R005- FOUNDATIONS AND ANCHOR ROD ASSEMBLIES FOR METAL POLES. ALL APPLICABLE 2024 NCDOT STANDARD SPECIFICATIONS ARE REFERENCED IN THIS PROVISION. REFER TO THE NCDOT RESOURCES/SPECIFICATIONS PAGE LOCATED ON THE CONNECT NCDOT WEBSITE.
[https://connect.ncdot.gov/resources/Specifications and Special Provisions.aspx](https://connect.ncdot.gov/resources/Specifications%20and%20Special%20Provisions.aspx)
- USE AIR ENTRAINED AA CONCRETE MIX WITH A COMPRESSION STRENGTH OF f'c=4500 psi (MIN) AFTER 28 DAYS.
- USE ASTM A615 GRADE 60 DEFORMED BARS FOR ALL REINFORCING STEEL. MAINTAIN AT LEAST 3" COVER ON ALL REINFORCEMENT.
- LOCATE IDENTIFICATION TAG ON TOP OF THE FOUNDATION, DIRECTLY ABOVE THE CONDUIT'S ENTRY POINT.
- PROVIDE TWO LAYERS OF 4 MESH GALVANIZED WELDED 23 GAUGE (0.025) 6" WIDE AROUND PIPES UNDER THE BASE PLATE AND SECURE IT WITH TIES IF NECESSARY.
- PREFERRED LOCATION FOR THE I.D. TAG IS AS SHOWN IN DETAIL-A: DIRECTLY ABOVE THE CONDUIT ENTERING THE FOUNDATION.

REINFORCING STEEL TABLE FOR STANDARD DRILL PIER SHAFT (4'-0" DIAMETER)

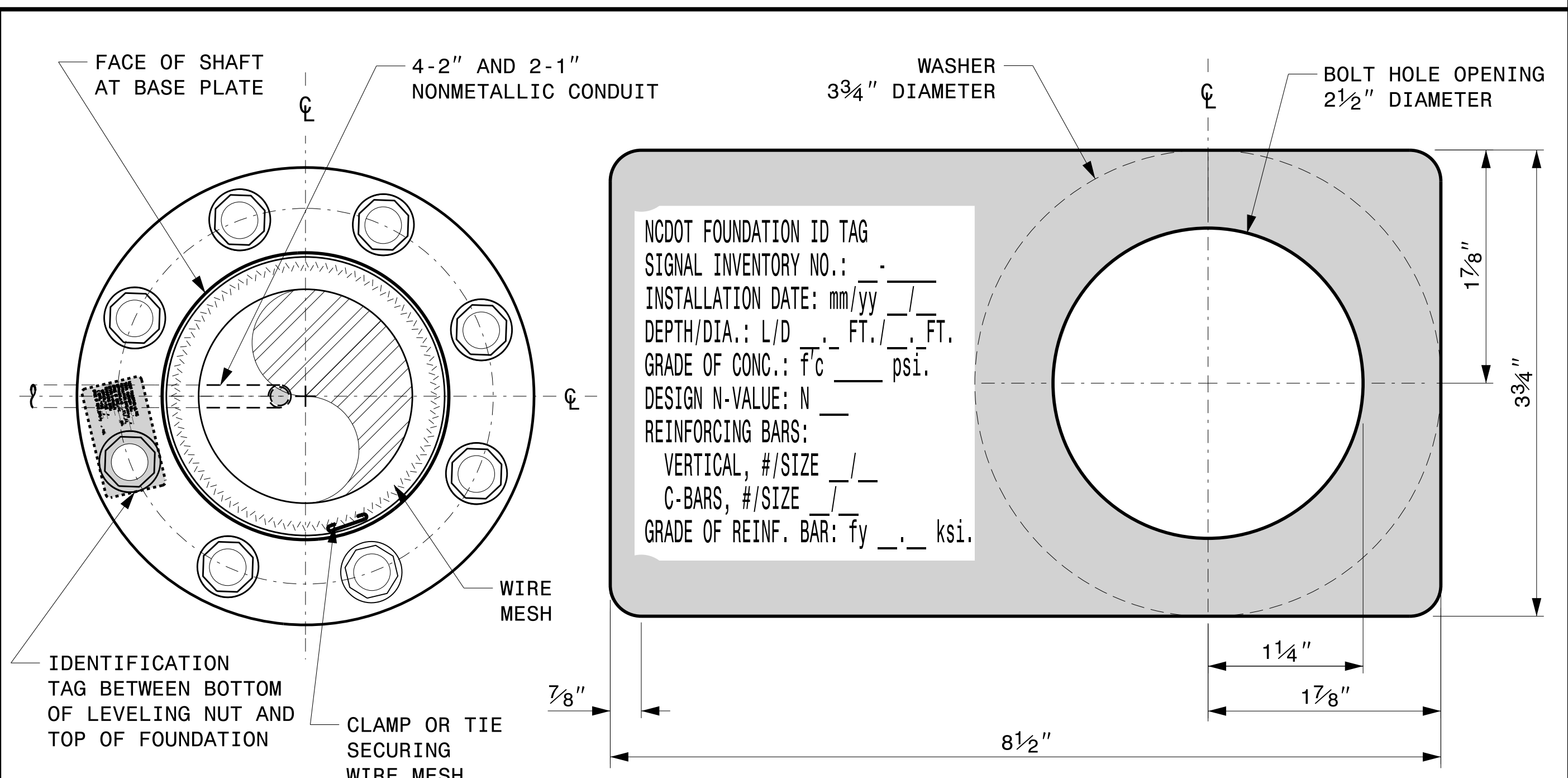
| "D" SHAFT DIAMETER | CONCRETE VOLUME (CU. YDS) | BAR NAME | MIN. SIZE | TYPE | LENGTH |
|--------------------|---------------------------|----------|-----------|---------|--------|
| 4'-0" | .465 X L | V1 | - | #8 STR. | ** |
| | | C | * | #4 CIR. | 12'-6" |

* SEE NOTE 2
** SEE NOTE 3



TYPICAL FOUNDATION ANCHOR BOLT DETAILS

(REINFORCING CAGE NOT SHOWN FOR CLARITY)



CONCRETE FOUNDATION IDENTIFICATION TAG DETAILS

D = DIAMETER
L = LENGTH / DEPTH
mm = MONTH
yy = YEAR

DETAIL-A

| | | |
|---|--|---|
| | <p>Construction Details For Foundations</p> | |
| | <p>PLAN DATE: SEPTEMBER 2023 DESIGNED BY: K.C. DURIGON</p> | <p>PREPARED BY: K.C. DURIGON REVIEWED BY: D.C. SARKAR</p> |
| <p>750 N. Greenfield Pkwy, Garner, NC 27529</p> | <p>SCALE: NA</p> | <p>DocuSigned by: Kevin Durigon 4B23DC78F8784DA</p> |

03-dt-2023-10-4f
 S:\SS\0415\Sig.M7\Sig.M7.dwg
 Pole Std Drawings for LRFD2024 Sig.M7 Str. Construction Detail: s-Strein Poles.dgn
 Kedar Tagon

Construction Details - Foundations