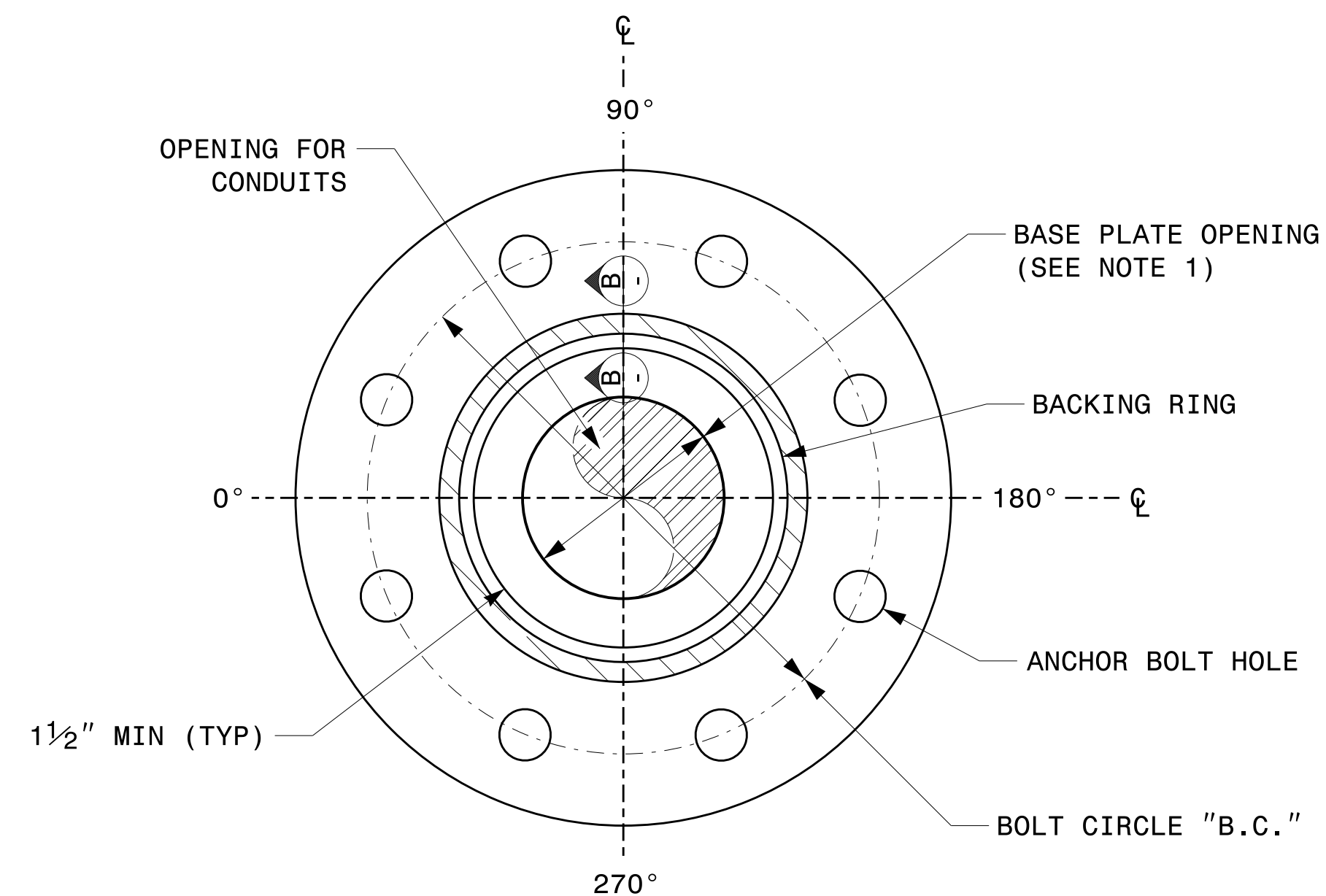
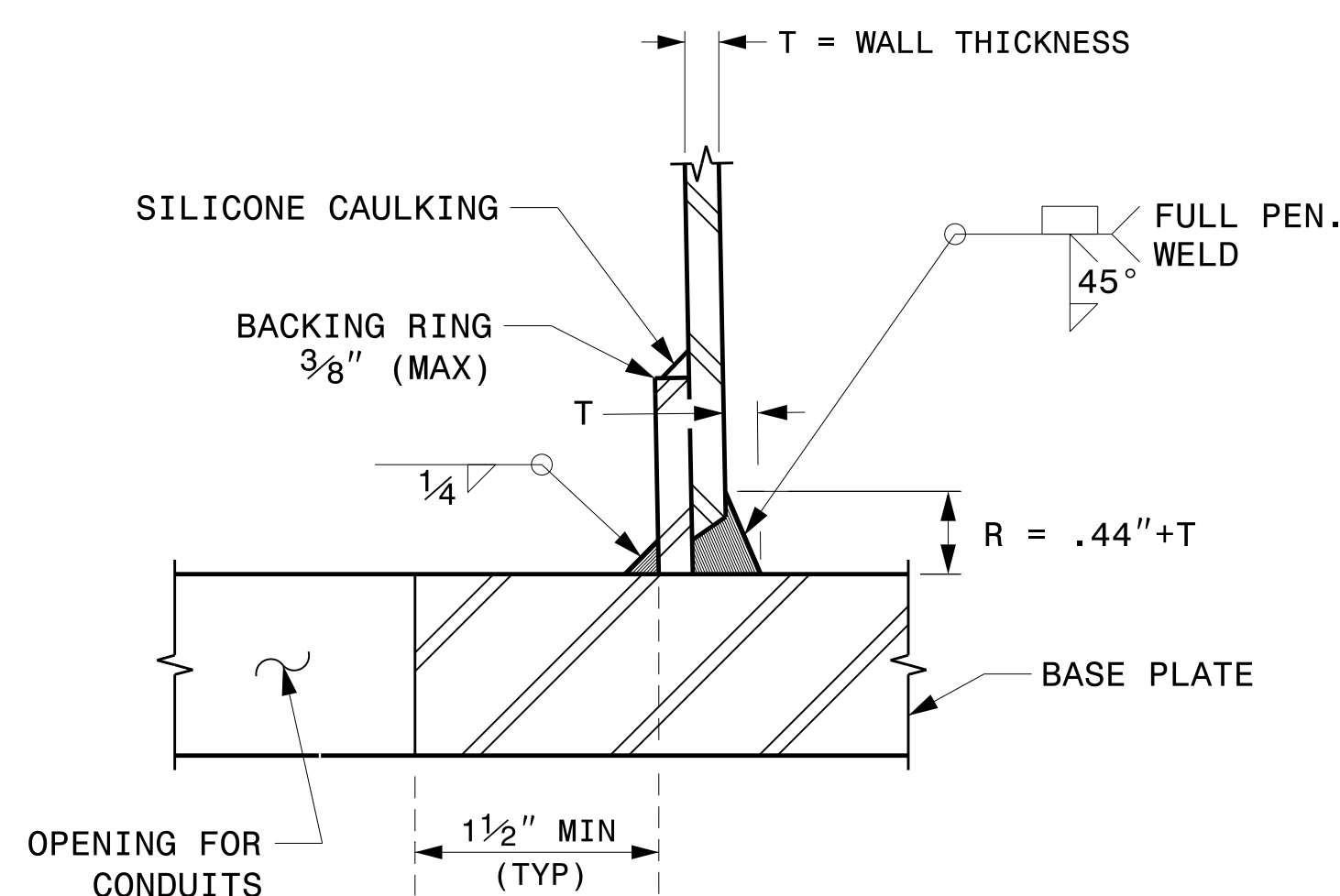


NOTE:

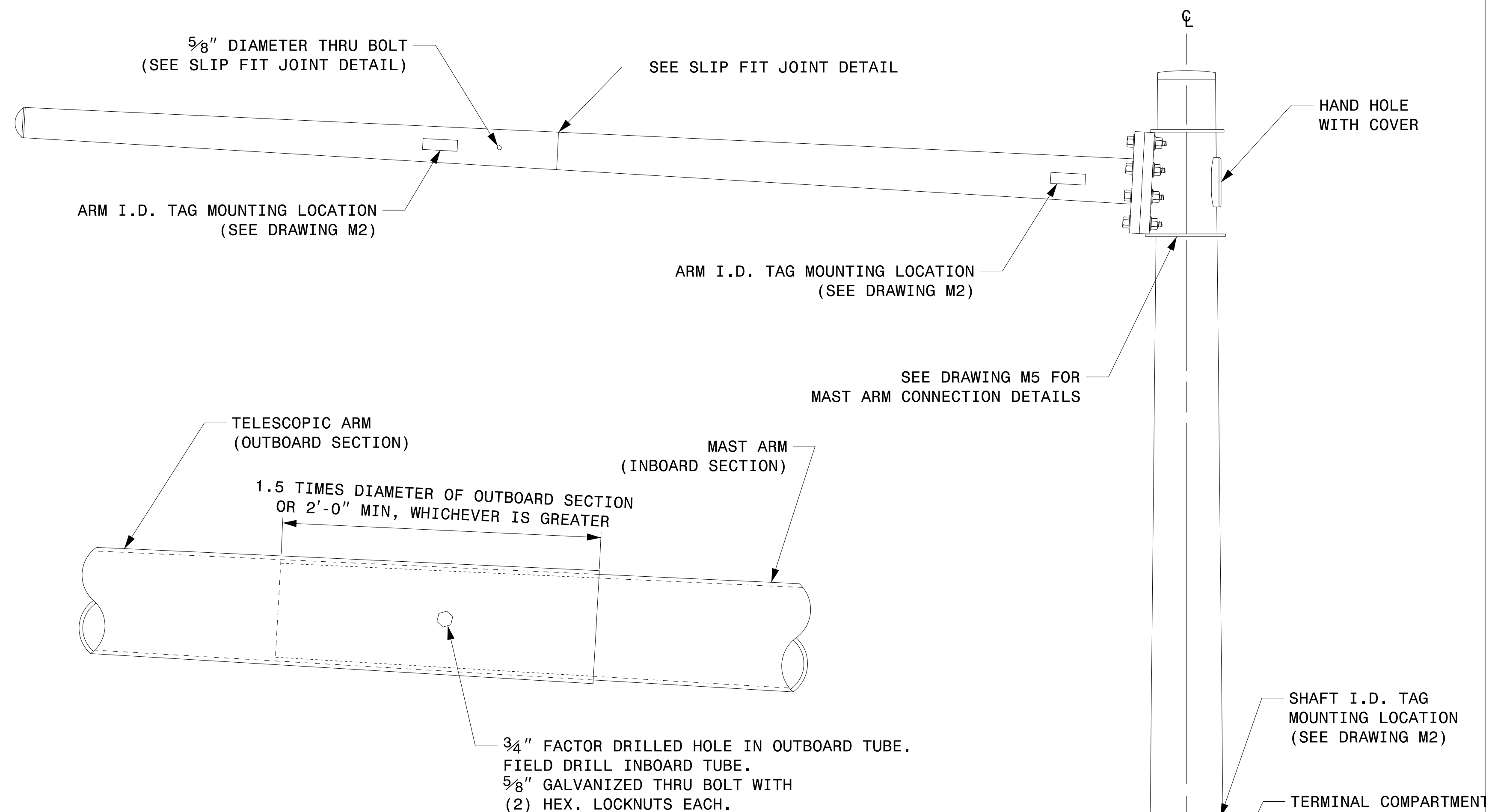
1. OPENING IN POLE BASE PLATE SHALL BE EQUAL TO POLE BASE INSIDE DIAMETER MINUS $3\frac{1}{2}$ " BUT SHALL NOT BE LESS THAN $8\frac{1}{2}$ ".



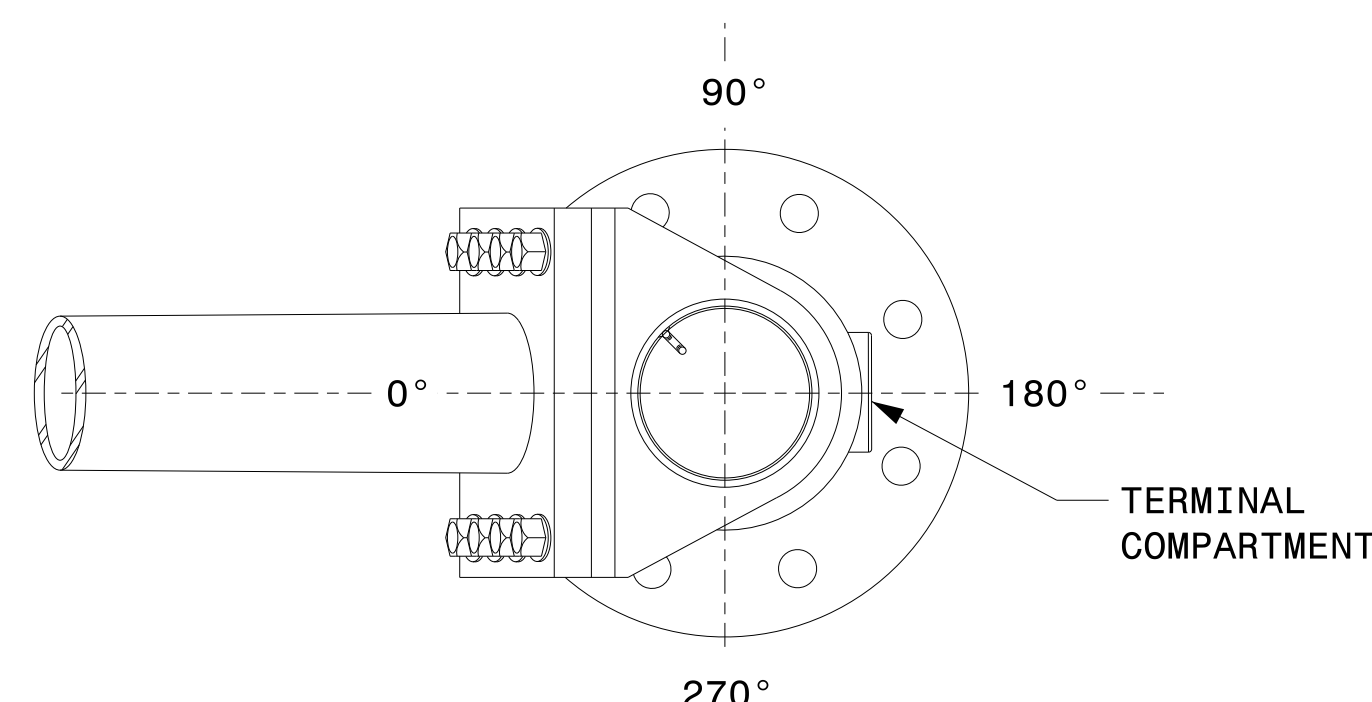
SECTION A-A
POLE BASE PLATE DETAILS



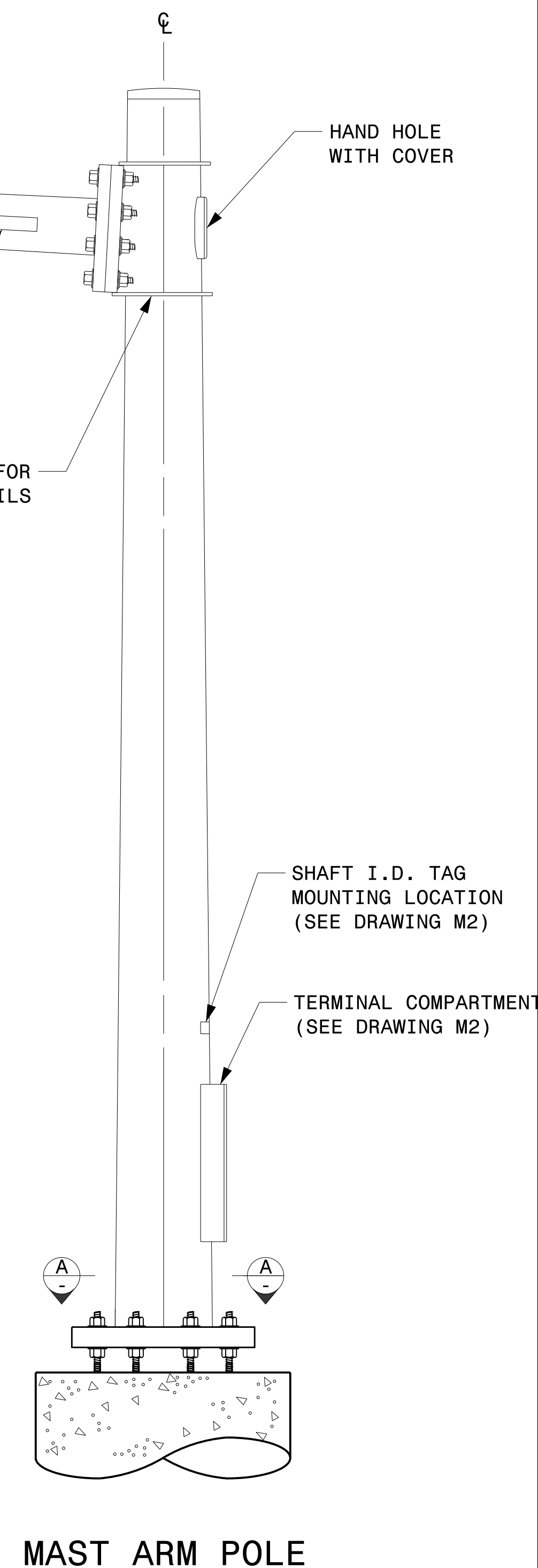
SECTION B-B
(POLE ATTACHMENT TO BASE PLATE)
FULL-PENETRATION
GROOVE WELD DETAIL



SLIP FIT JOINT DETAIL FOR MAST ARM



MAST ARM RADIAL ORIENTATION



MAST ARM POLE

<p>Prepared in the Offices of:</p> <p>750 N. Greenfield Pkwy, Garner, NC 27529</p>	<p>Typical Fabrication Details For Mast Arm Poles</p>		<p>SEAL</p>							
	<p>PLAN DATE: SEPTEMBER 2023 DESIGNED BY: K.C. DURIGON</p> <p>PREPARED BY: K.C. DURIGON REVIEWED BY: D.C. SARKAR</p>	<p>REVISIONS</p> <table border="1"> <thead> <tr> <th>INIT.</th> <th>DATE</th> </tr> </thead> <tbody> <tr> <td> </td> <td> </td> </tr> <tr> <td> </td> <td> </td> </tr> <tr> <td> </td> <td> </td> </tr> </tbody> </table>		INIT.	DATE					
INIT.	DATE									
<p>SCALE</p> <p>0 NA</p> <p>NONE</p>	<p>4B23DC76R3Z84QA</p>									

09-drt-2023-10-31E S:\Projects\Signal Design\Section\Structures\Drawings\2024\Merlot_Pole_Srd Drawings for_LRF02024_Sig.M4 Stru. Fabrication Details-Mast Arm Poles.dgn Kedar Durigon

Fabrication Details – Mast Arm Poles