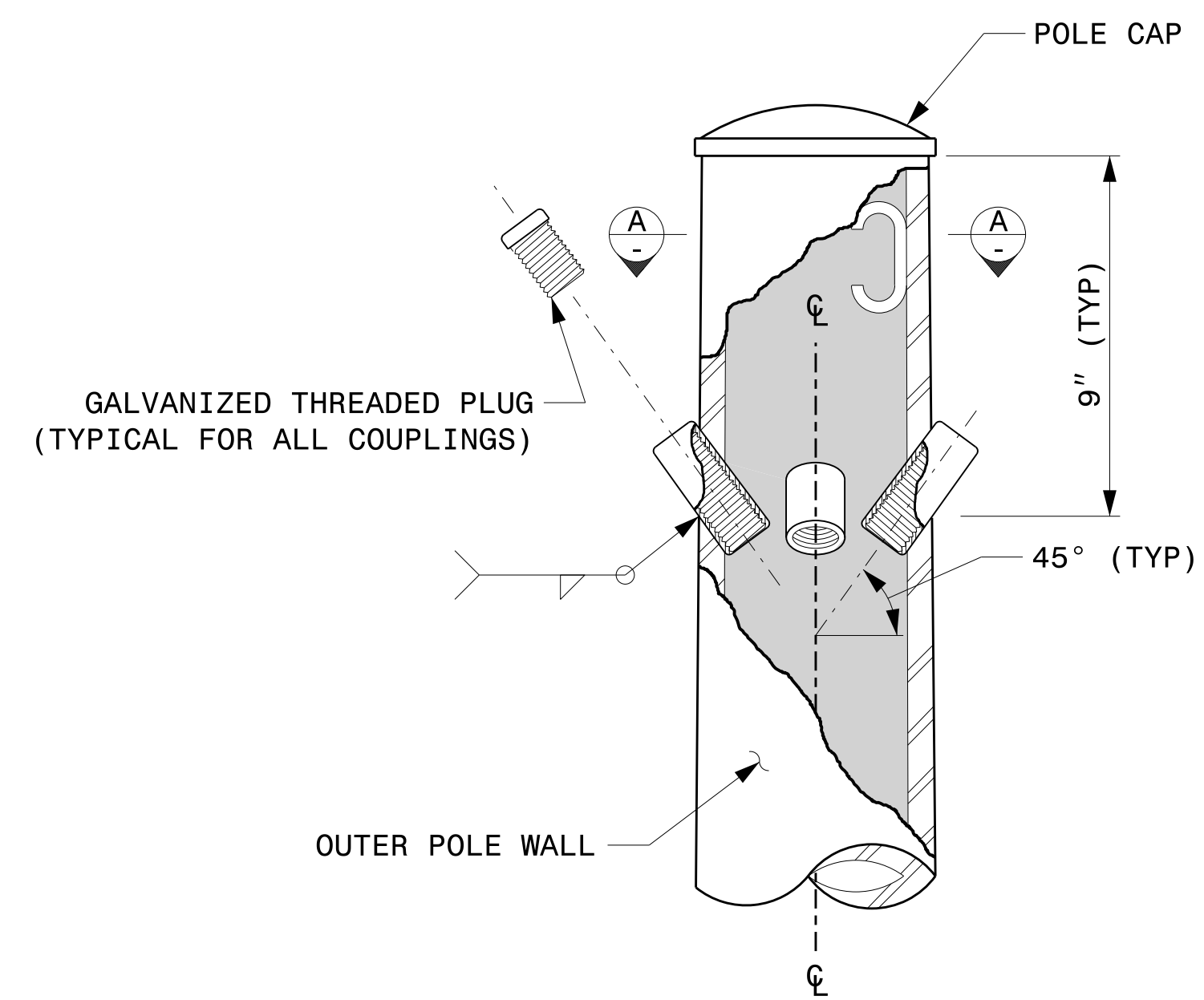
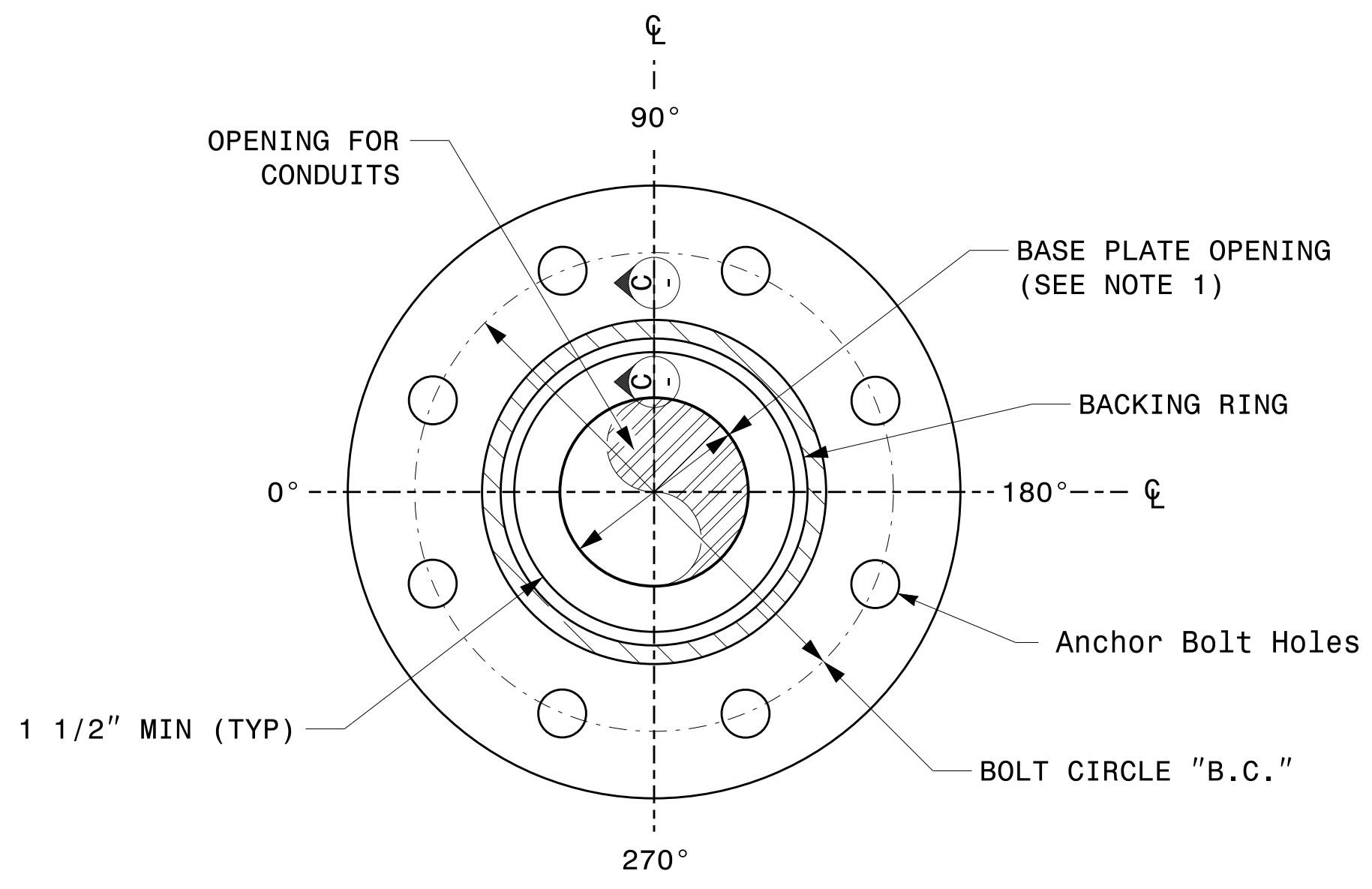


NOTE:

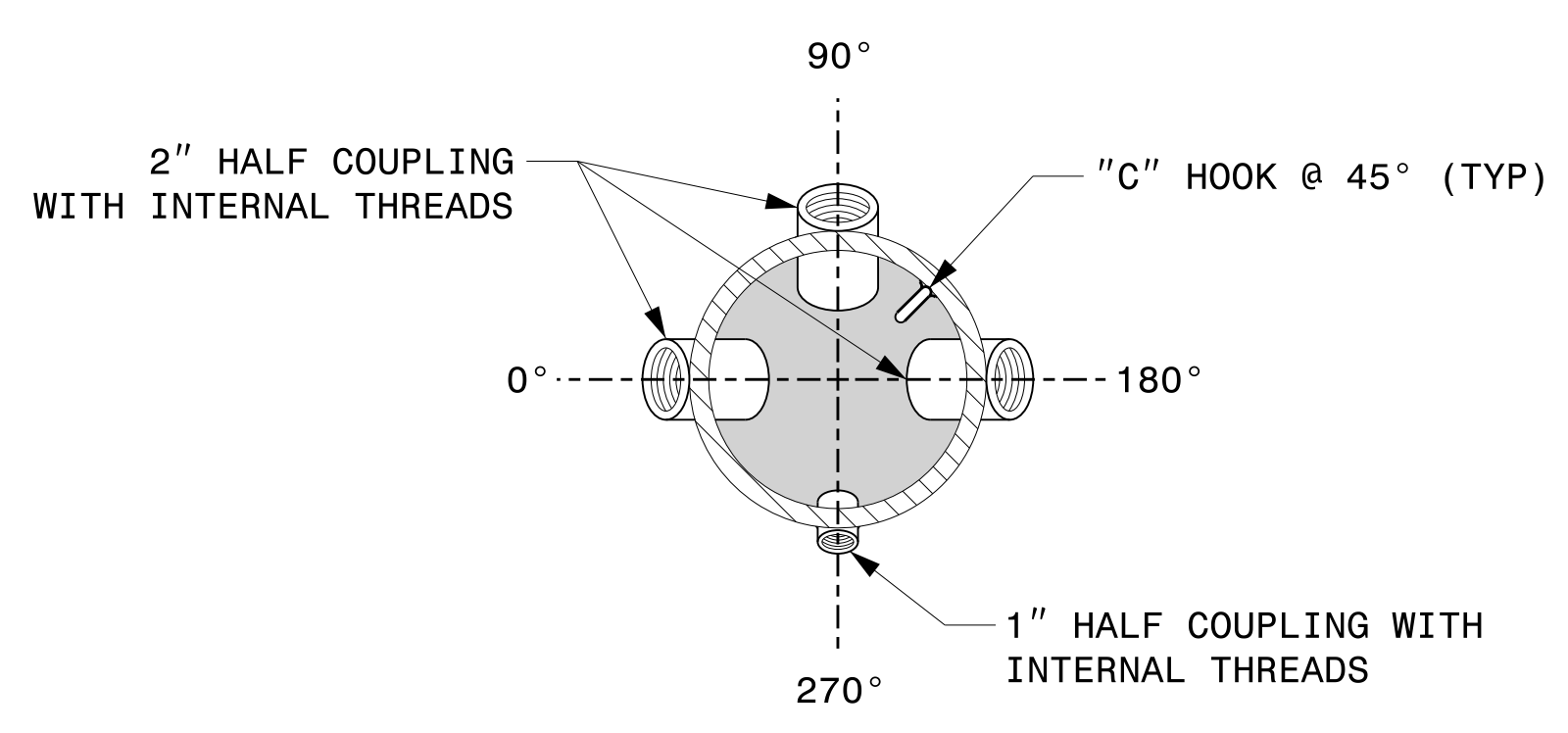
1. OPENING IN POLE BASE PLATE SHALL BE EQUAL TO POLE BASE INSIDE DIAMETER MINUS $3\frac{1}{2}$ " BUT SHALL NOT BE LESS THAN $8\frac{1}{2}$ ".



CABLE ENTRANCES AT TOP OF POLE

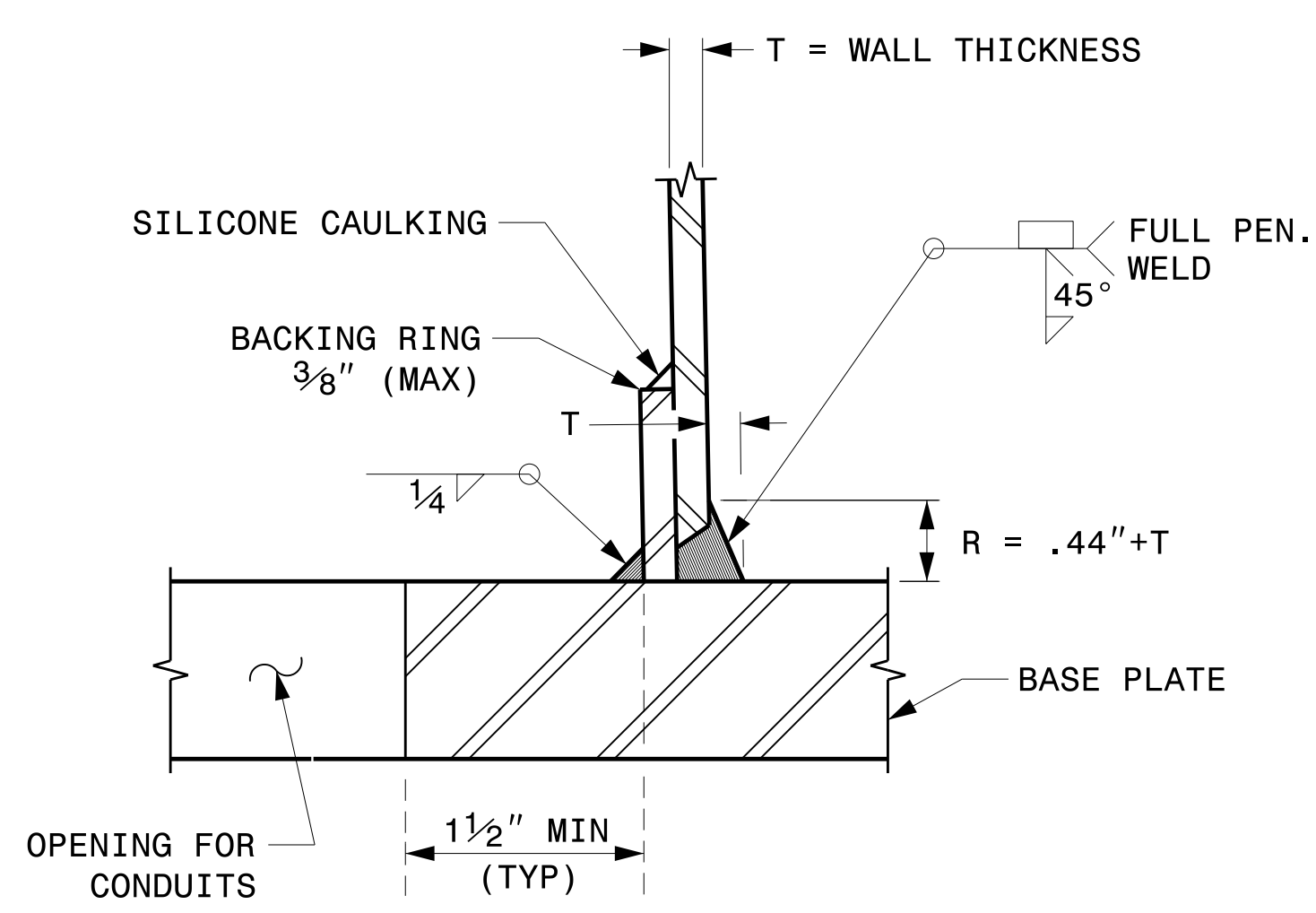


SECTION B-B
POLE BASE PLATE DETAILS
(8 AND 12 BOLT PATTERN)



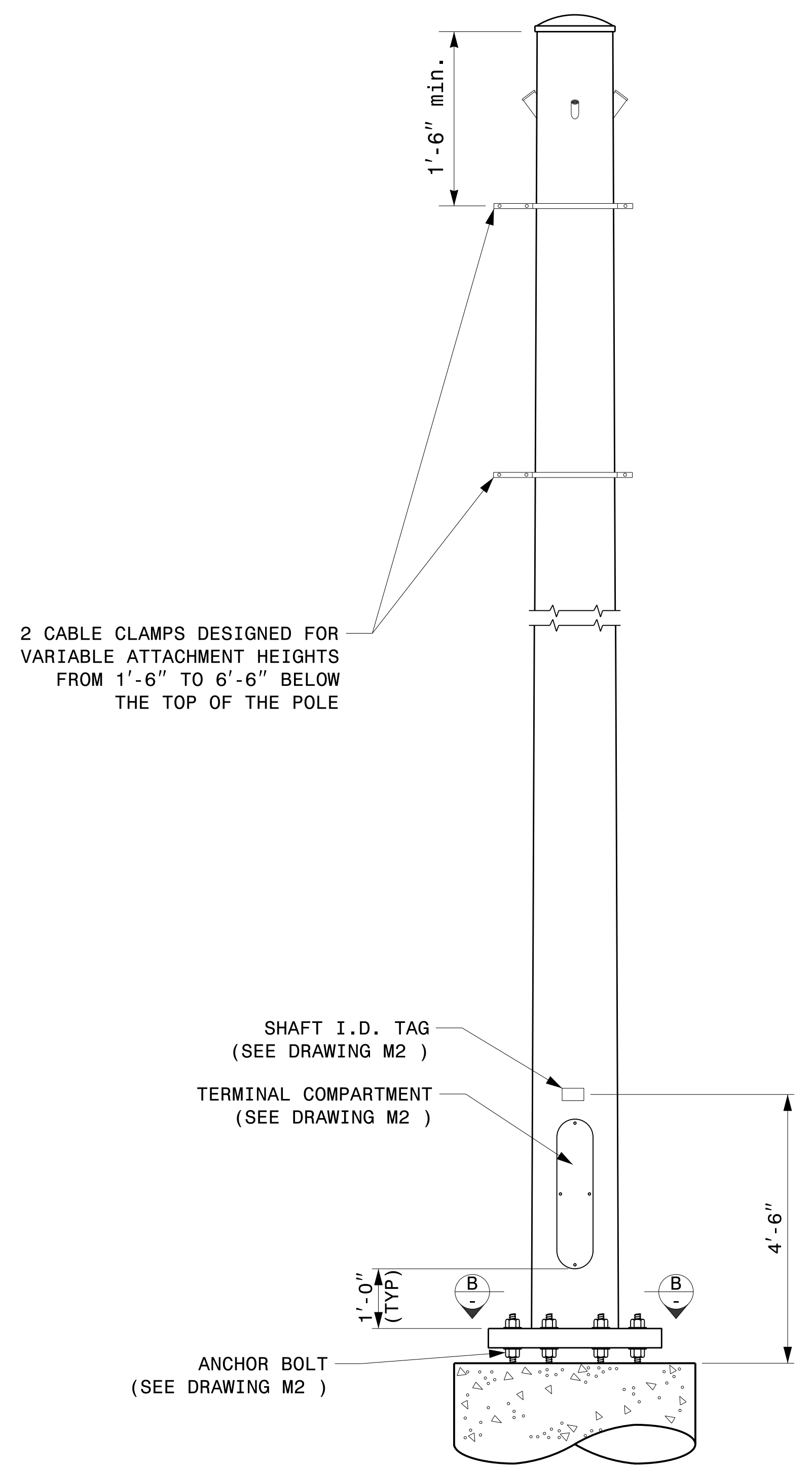
SECTION A-A

RADIAL ORIENTATION OF FACTORY INSTALLED ACCESSORIES AT TOP OF POLE



SECTION C-C
(POLE ATTACHMENT TO BASE PLATE)

FULL-PENETRATION GROOVE WELD DETAIL



MONOTUBE STRAIN POLE

08-dct-2023 10:37 S:\ISSUES\415 Signal\Signal Design Section\Structures\Drawings\2024 Merlot Pole Std Drawings for LRF\02024 Signal\03 Str. Fabrication Details-Strain Poles.dgn Kedar Durigon

<p>750 N. Greenfield Pkwy, Garner, NC 27529</p>	<p>Typical Fabrication Details For Strain Poles</p>		<p>SEAL</p>					
	<p>PLAN DATE: SEPTEMBER 2023 DESIGNED BY: K.C. DURIGON</p> <p>PREPARED BY: K.C. DURIGON REVIEWED BY: D.C. SARKAR</p>	<table border="1"> <thead> <tr> <th>REVISIONS</th> <th>INIT.</th> <th>DATE</th> </tr> </thead> <tbody> <tr> <td> </td> <td> </td> <td> </td> </tr> </tbody> </table>		REVISIONS	INIT.	DATE		
REVISIONS	INIT.	DATE						

Fabrication Details – Strain Poles