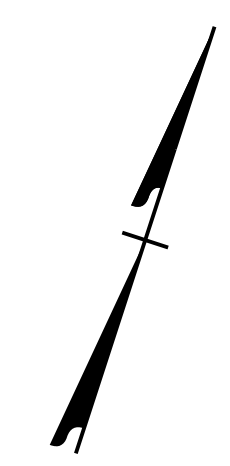
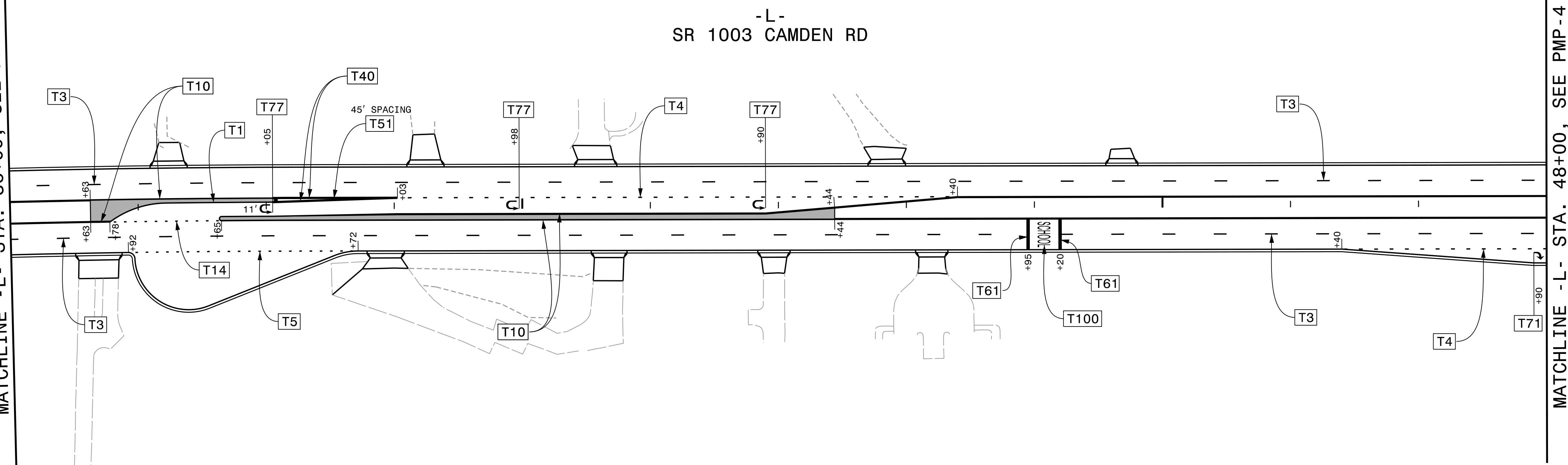


**DOCUMENT NOT CONSIDERED FINAL  
UNLESS ALL SIGNATURES COMPLETED**



PLOT DRIVER: NCDOT\_pdf\_color\_eng\_50.pht PENTABLE: NCDOT\_PMP.tbl  
USER: CHARNDEN DATE: 9/4/2024 TIME: 12:13:59 PM  
FILE: p:\pwhdr\users\charnd\US\_East\_01\Documents\3322\10001377\10086583\6.0.CAD.BIM\6.2.Work.In.Progress\U-3422A\Traffic\ Pavement Working\U3422A\_PMP\_PMP03.dgn

MATCHLINE - L- STA. 36+00, SEE PMP -2



40+00

45+00

-L-  
SR 1003 CAMDEN RD

MATCHLINE - L- STA. 48+00, SEE PMP -4

ALL LANES ARE 12' WIDTH UNLESS NOTED

# PAVEMENT MARKING PLAN