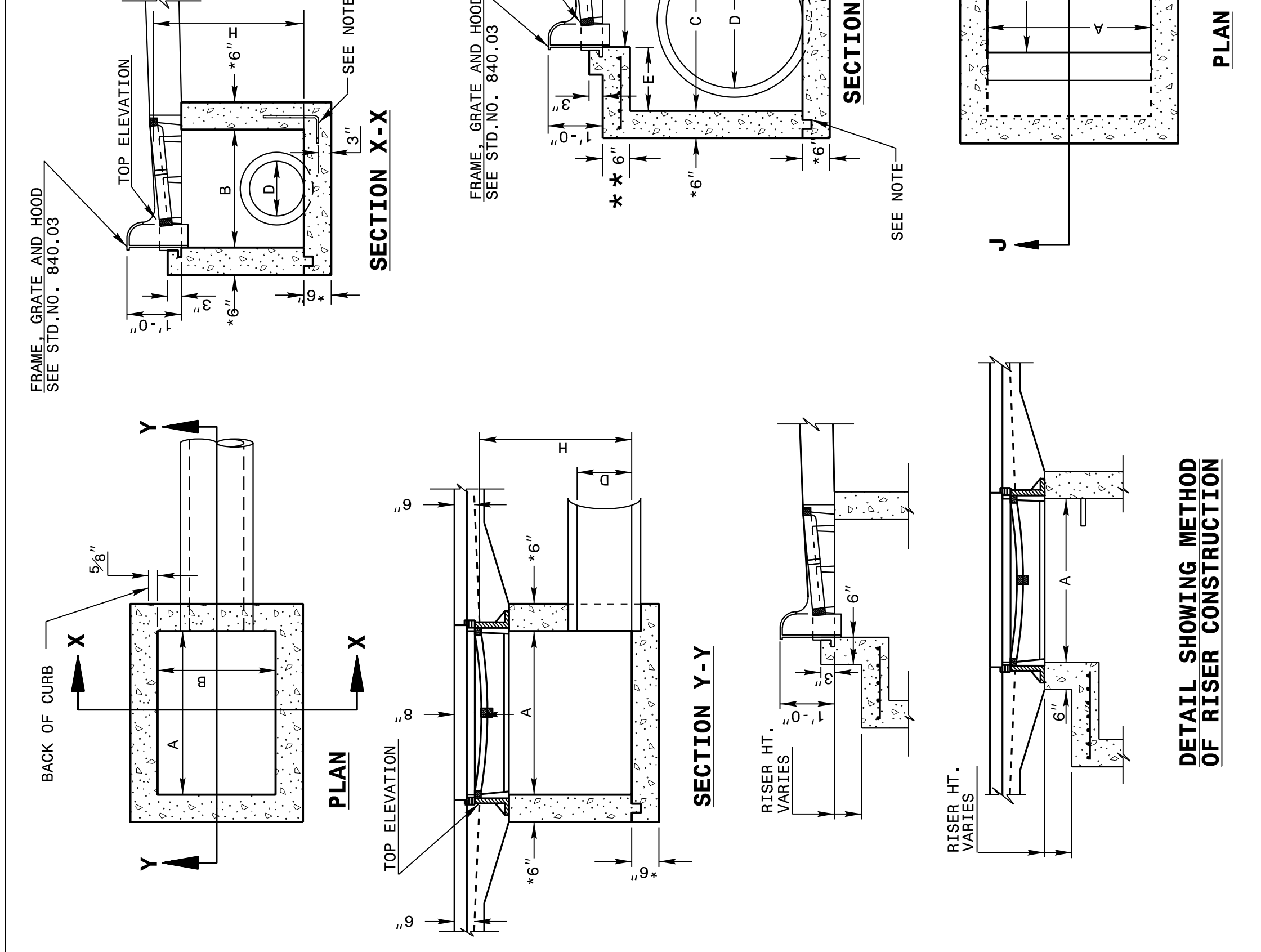


STATE OF NORTH CAROLINA DEPT. OF TRANSPORTATION DIVISION OF HIGHWAYS RALEIGH, N.C.

STATE OF NORTH CAROLINA DEPT. OF TRANSPORTATION DIVISION OF HIGHWAYS RALEIGH, N.C.

**GENERAL NOTES:**  
 USE CLASS "B" CONCRETE THROUGHOUT.  
 PROVIDE ALL CATCH BASINS OVER 3'-6" IN DEPTH WITH STEPS 12" ON CENTER. USE STEPS WHICH COMPLY WITH STD. DRAWING 840.66.  
 OPTIONAL CONSTRUCTION - MONOLITHIC POUR, 2" KEYWAY, OR #4 BAR DOWELS AT 12 CENTERS AS DIRECTED BY THE ENGINEER.  
 USE FORMS FOR THE CONSTRUCTION OF THE BOTTOM SLAB.  
 IF REINFORCED CONCRETE PIPE IS SET IN BOTTOM SLAB OF BOX, ADD TO SLAB AS SHOWN ON STD. NO. 840.00.  
 USE TYPE "E", "F" AND "G" GRATES UNLESS OTHERWISE INDICATED.  
 \* USE 6" WALLS FOR BOXES UP TO 8' IN HEIGHT. USE 8" WALLS, 8" BOTTOM SLAB AND 8" TOP SLAB FOR BOXES GREATER THAN 8' IN HEIGHT AND UP TO 20' IN HEIGHT.  
 CONSTRUCT WITH PIPE CROWNS MATCHING.  
 CHAMFER ALL EXPOSED CORNERS 1".  
 \*\* FOR STRUCTURES WITH PIPE LARGER THAN 54", MAKE THE TOP SLAB 8" THICK.



ENGLISH DETAIL DRAWING FOR EXTRA DEPTH CONCRETE CATCH BASIN 12" THRU 84" PIPE

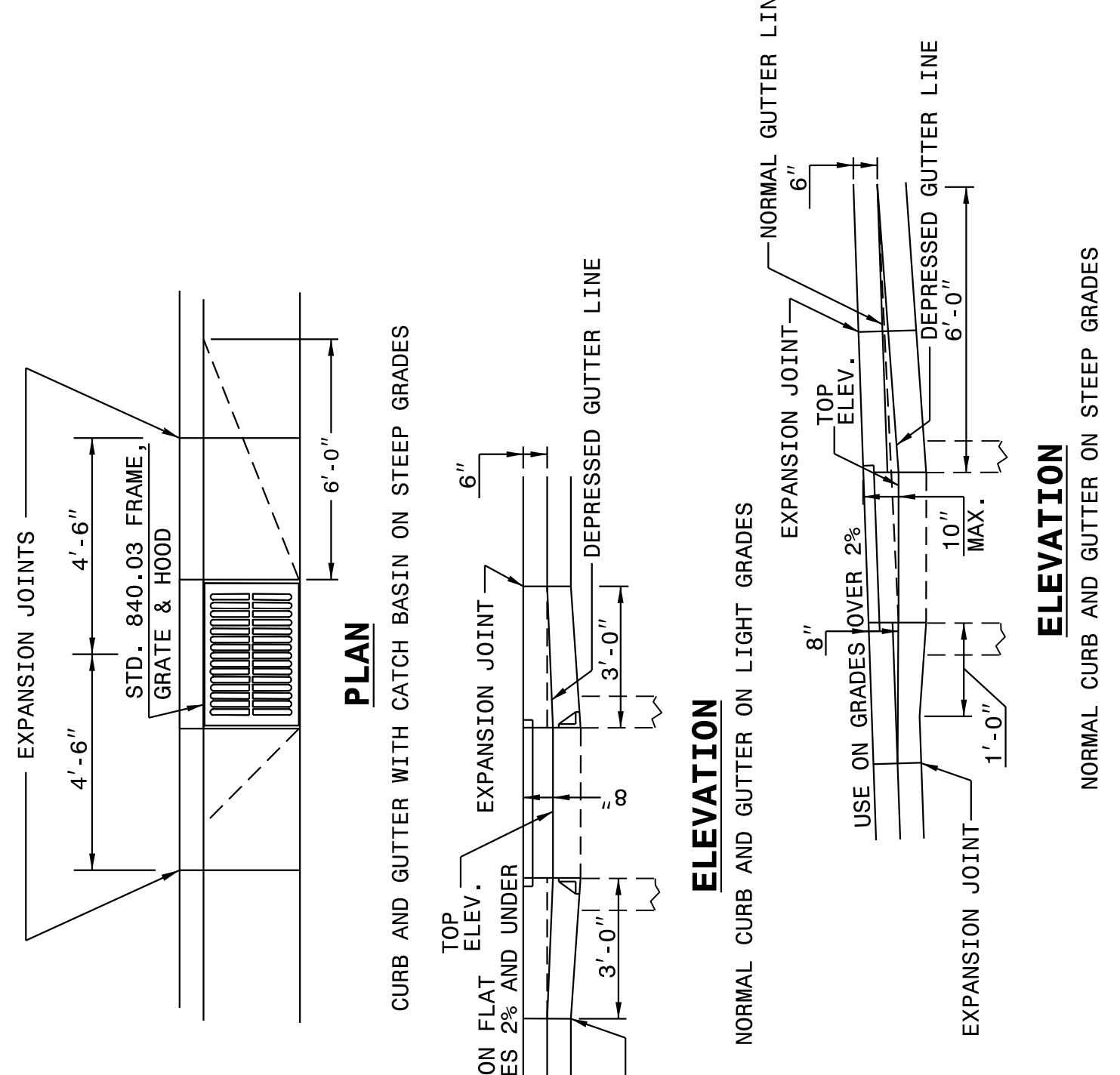
ENGLISH DETAIL DRAWING FOR EXTRA DEPTH CONCRETE CATCH BASIN 12" THRU 84" PIPE

SHEET 1 OF 2 840D02

SHEET 1 OF 2 840D02

STATE OF NORTH CAROLINA DEPT. OF TRANSPORTATION DIVISION OF HIGHWAYS RALEIGH, N.C.

STATE OF NORTH CAROLINA DEPT. OF TRANSPORTATION DIVISION OF HIGHWAYS RALEIGH, N.C.



ENGLISH DETAIL DRAWING FOR EXTRA DEPTH CONCRETE CATCH BASIN 12" THRU 84" PIPE

ENGLISH DETAIL DRAWING FOR EXTRA DEPTH CONCRETE CATCH BASIN 12" THRU 84" PIPE

SHEET 2 OF 2 840D02

SHEET 2 OF 2 840D02

\* RISER HAS .228 CUBIC YARDS OF CONCRETE PER FOOT HEIGHT

PIPE D.	MINIMUM DIMENSIONS OF BOX AND PIPE				COVER DIMENSION				DIMENSIONS OF BOX AND PIPE				QUANTITIES AND QUANTITIES FOR CONCRETE CATCH BASIN (BASED ON MIN. HEIGHT, H, WITH NO RISER) *					
	SPAN	WIDTH	DEPTH	HEIGHT	E	F	G	H	NO.	LENGTH	NO.	LENGTH	NO.	LENGTH	TOTAL LBS.	CU. YDS. CONC. IN BOX	TOP BOTTOM SLAB	DEDUCTIONS ONE PIPE
12"	3'-0"	2'-2"	2'-2"	2'-0"	--	--	--	--	--	--	--	--	--	--	0.235	0.772	0.015	0.026
15"	3'-0"	2'-2"	2'-2"	2'-0"	--	--	--	--	--	--	--	--	--	--	0.235	0.829	0.023	0.036
18"	3'-0"	2'-2"	2'-2"	2'-6"	--	--	--	--	--	--	--	--	--	--	0.235	0.887	0.033	0.049
24"	3'-0"	2'-2"	3'-1"	3'-1"	--	--	--	--	--	--	--	--	--	--	0.235	1.001	0.059	0.085
30"	3'-0"	2'-2"	3'-4"	3'-10"	1'-2"	4'-4"	4	1'-5"	2	4'-1"	3	4'-1"	39	0.123	0.347	1.433	0.092	0.127
36"	3'-0"	2'-2"	3'-10"	4'-10"	1'-8"	4'-10"	4	1'-11"	3	4'-7"	3	4'-7"	43	0.161	0.432	1.714	0.132	0.178
42"	3'-0"	2'-2"	4'-5"	4'-5"	2'-2"	5'-5"	5	2'-5"	4	5'-2"	3	5'-2"	47	0.200	0.543	1.738	0.180	0.243
48"	3'-0"	2'-2"	5'-0"	5'-0"	2'-10"	6'-0"	5	3'-1"	4	5'-9"	3	5'-9"	51	0.235	0.667	2.052	0.235	0.317
54"	3'-0"	2'-2"	5'-7"	6'-0"	3'-5"	6'-7"	6	3'-8"	5	6'-4"	3	6'-4"	56	0.289	0.802	2.387	0.297	0.401
60"	3'-0"	2'-2"	6'-3"	6'-3"	4'-1"	7'-3"	6	4'-4"	6	7'-0"	3	7'-0"	61	0.340	0.973	2.722	0.363	0.546
66"	3'-0"	2'-2"	6'-11"	6'-11"	4'-9"	7'-11"	7	5'-0"	6	7'-8"	3	7'-8"	66	0.391	1.160	3.057	0.440	0.655
72"	3'-0"	2'-2"	7'-6"	7'-6"	5'-3"	8'-6"	7	5'-6"	6	8'-3"	3	8'-3"	72	0.442	1.340	3.392	0.524	0.774
78"	3'-0"	2'-2"	8'-1"	8'-1"	5'-11"	9'-1"	8	6'-2"	7	8'-10"	3	8'-10"	78	0.493	1.530	3.727	0.615	0.893
84"	3'-0"	2'-2"	8'-9"	8'-9"	6'-7"	9'-9"	8	6'-10"	7	9'-6"	3	9'-6"	84	0.544	1.760	4.062	0.713	1.010

DOCUMENT NOT CONSIDERED FINAL UNLESS ALL SIGNATURES COMPLETED

CONTRACT STANDARDS AND DEVELOPMENT UNIT  
 Office 919-707-6950 FAX 919-250-4119

**SEE PLATE FOR TITLE**

ORIGINAL BY: 2002 Std. 840.01 DATE: \_\_\_\_\_  
 MODIFIED BY: E.E. WARD DATE: 3-1-02  
 CHECKED BY: \_\_\_\_\_ DATE: \_\_\_\_\_  
 FILE SPEC.: jhewerton/840d02 Extra Depth CB.dgn



10/1/2024