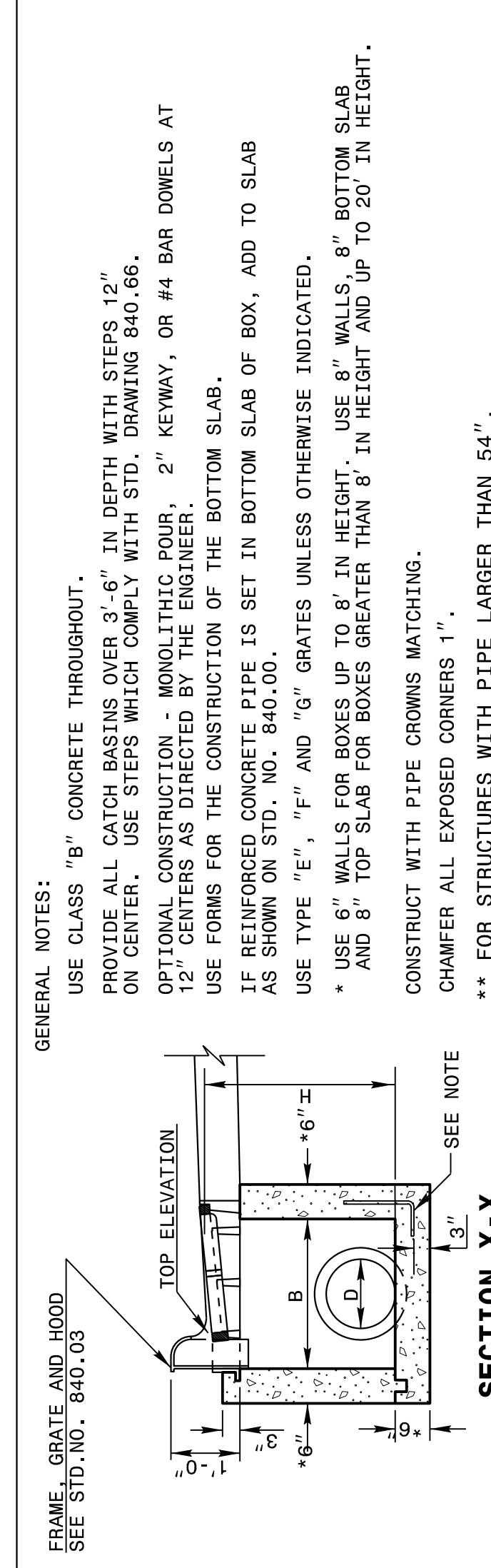
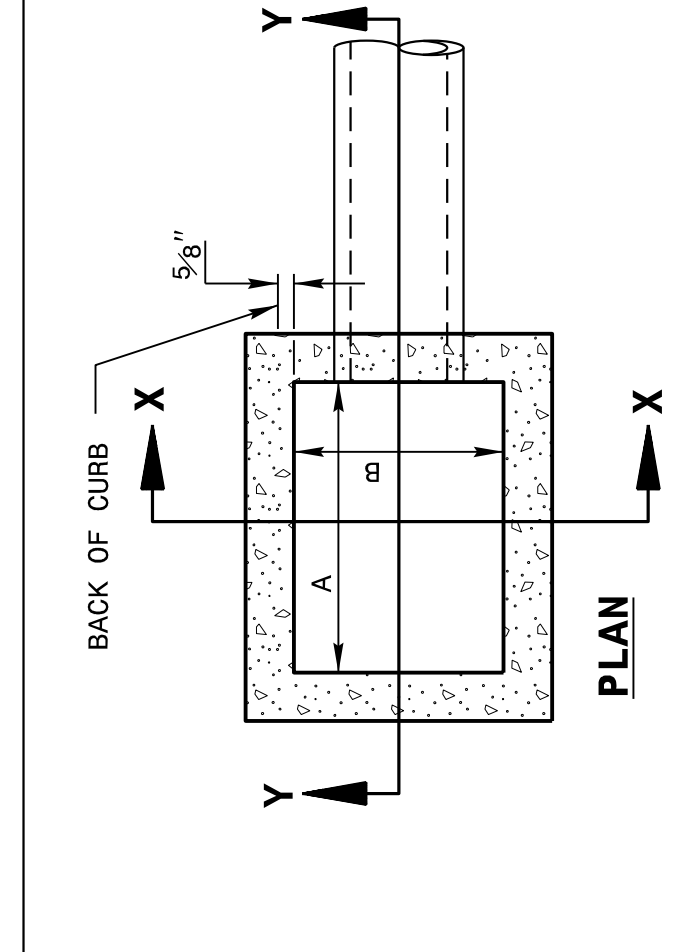


16-APR-2018 11:44
 S:\Contracts\Special Details\Jhewerton\840d02 Extra Depth CB.dgn
 Jhewerton AT CSD-292595

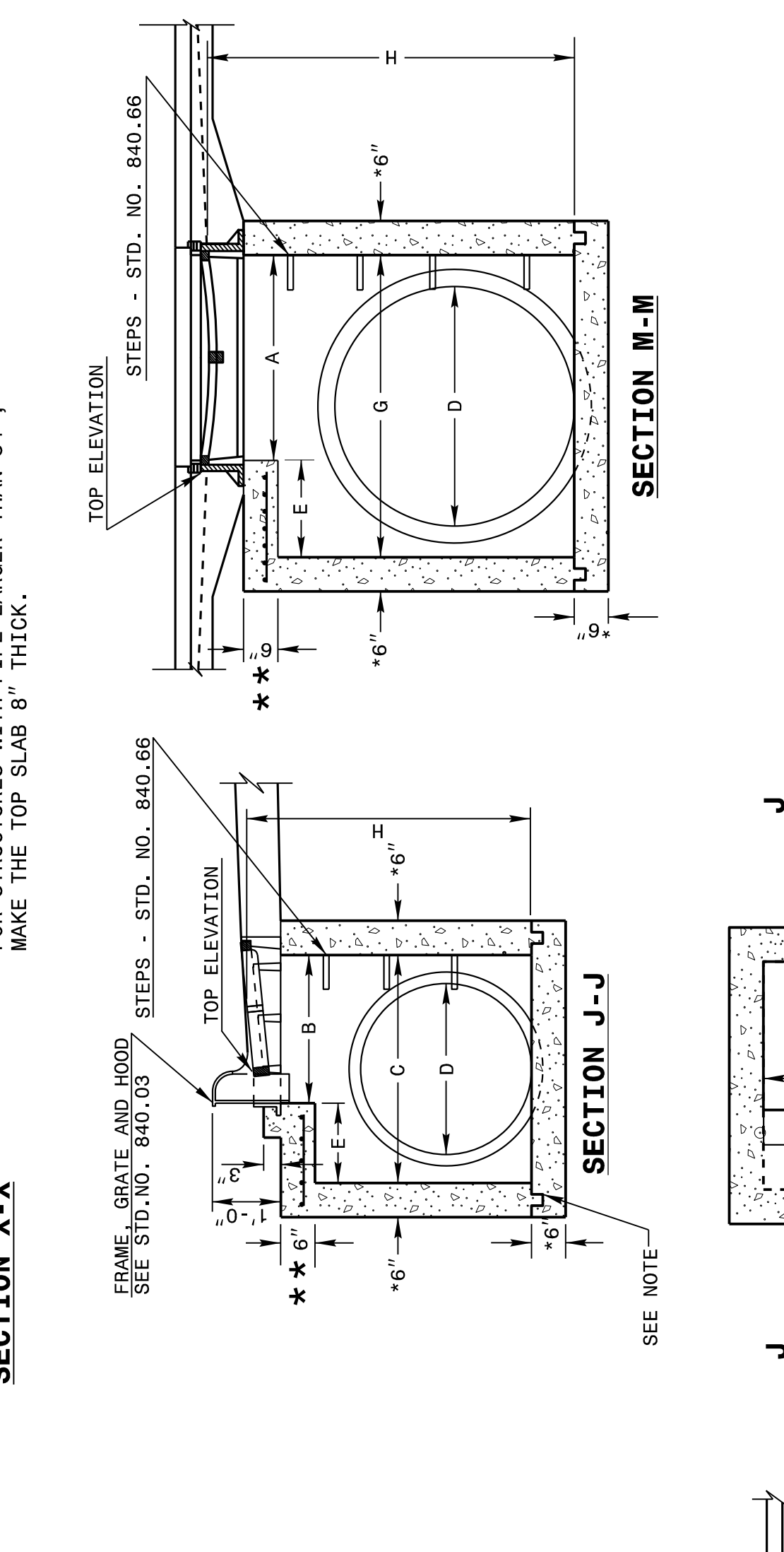
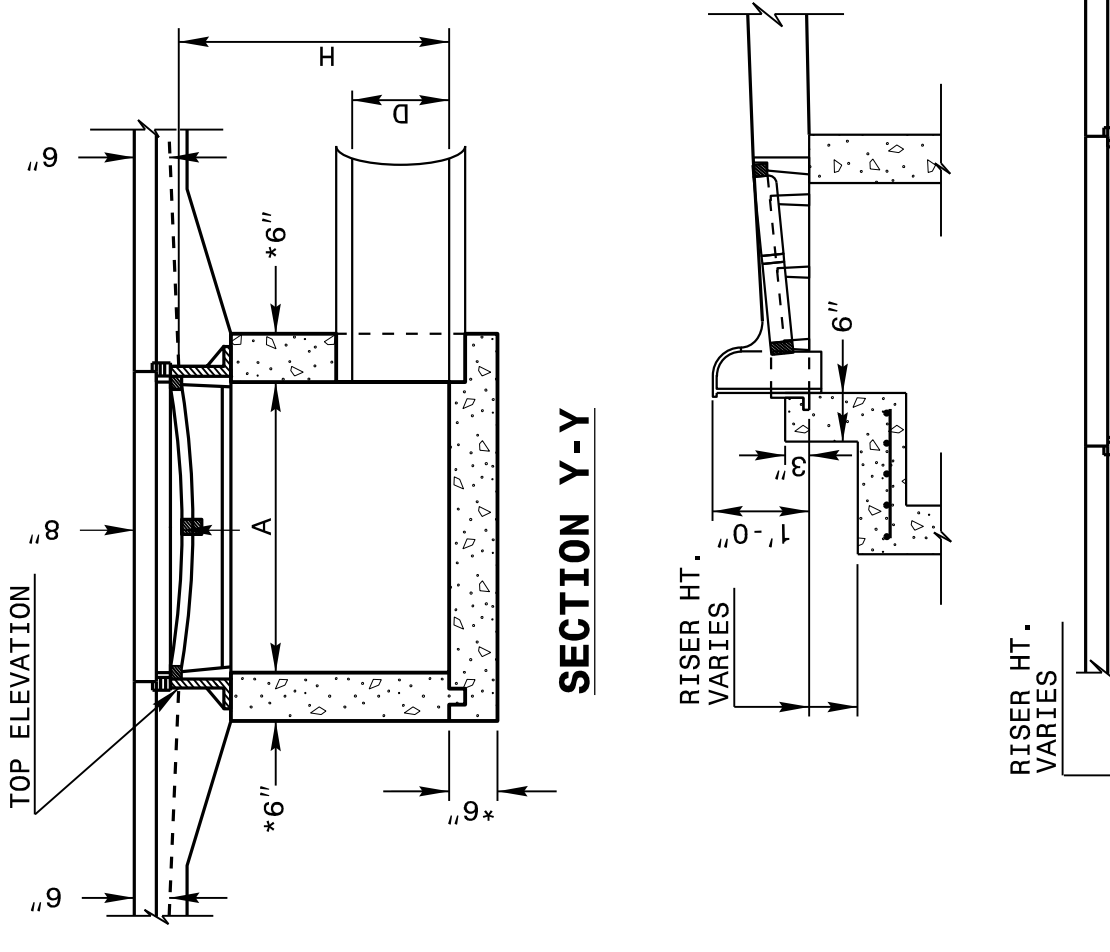
5/14/99

STATE OF
 NORTH CAROLINA
 DEPT. OF TRANSPORTATION
 DIVISION OF HIGHWAYS
 RALEIGH, N.C.



STATE OF
 NORTH CAROLINA
 DEPT. OF TRANSPORTATION
 DIVISION OF HIGHWAYS
 RALEIGH, N.C.

ENGLISH DETAIL DRAWING FOR
**EXTRA DEPTH
 CONCRETE CATCH BASIN**
 12" THRU 84" PIPE

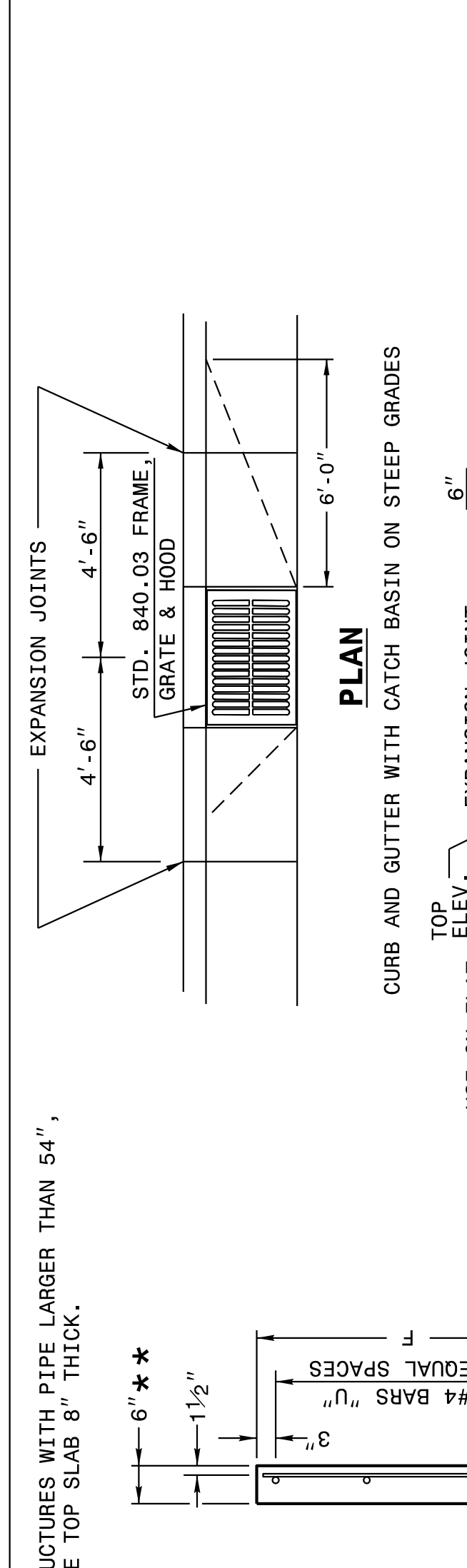
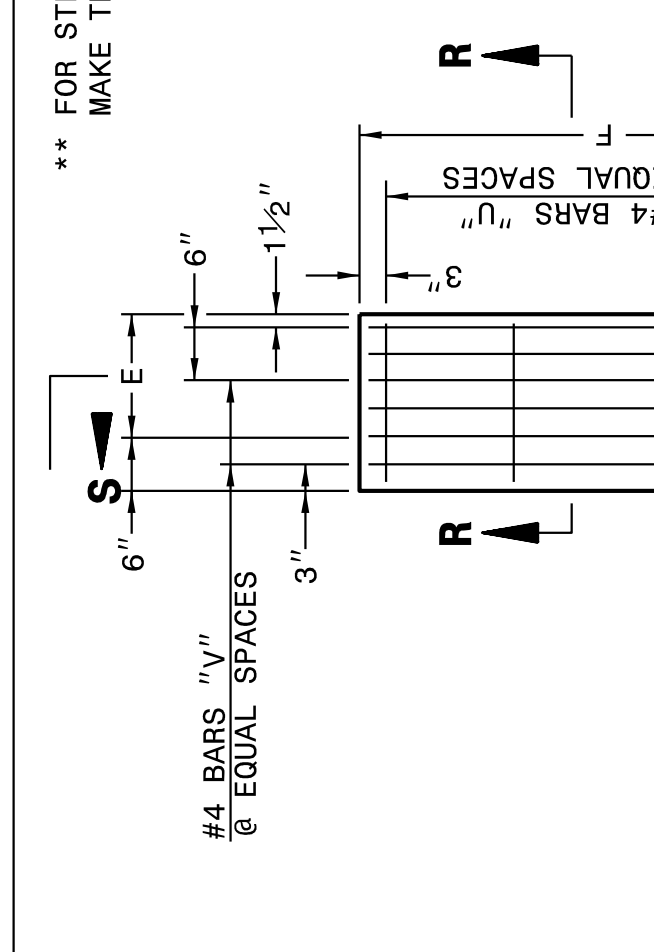


ENGLISH DETAIL DRAWING FOR
**EXTRA DEPTH
 CONCRETE CATCH BASIN**
 12" THRU 84" PIPE

SHEET 1 OF 2
840D02

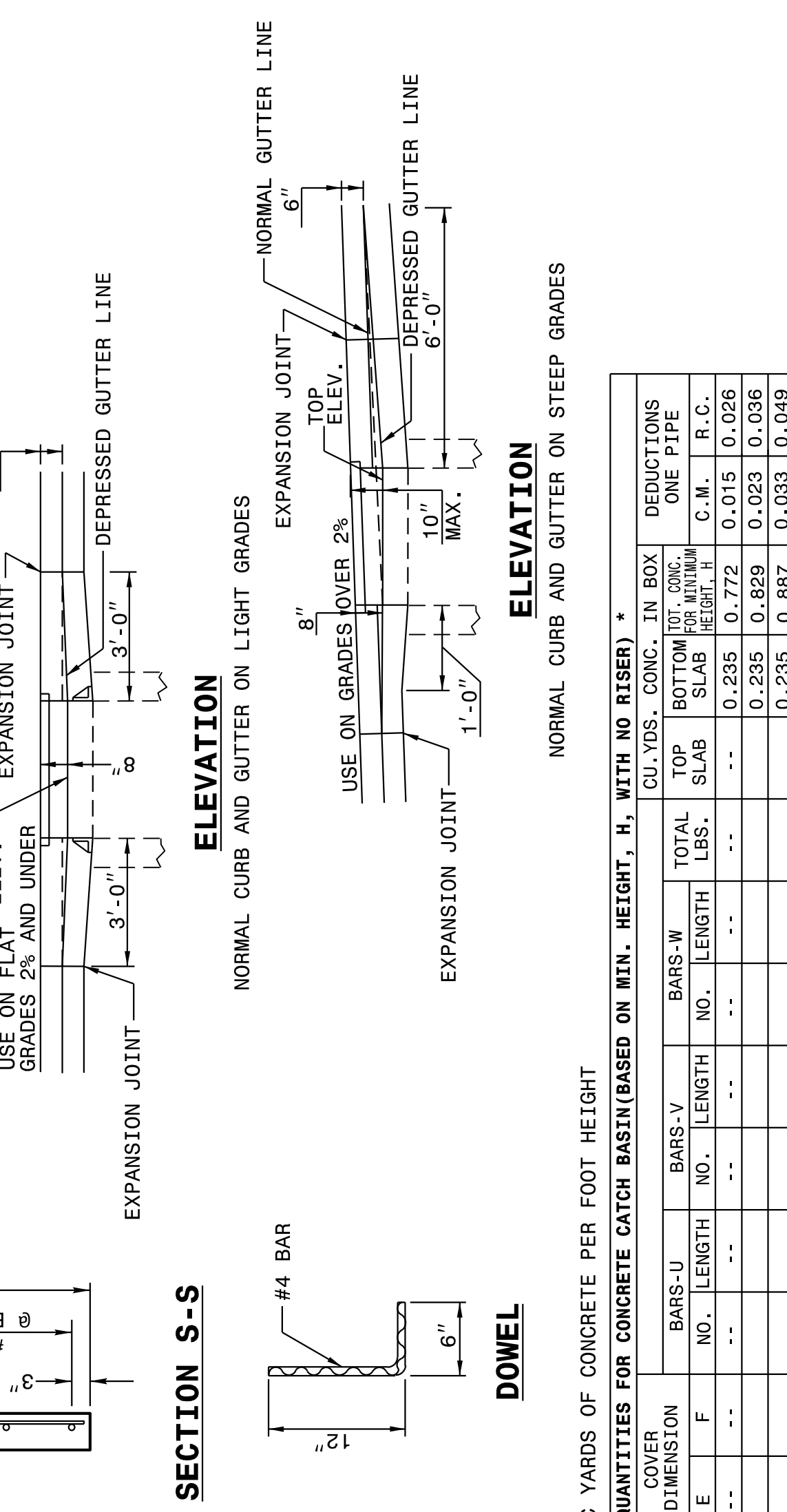
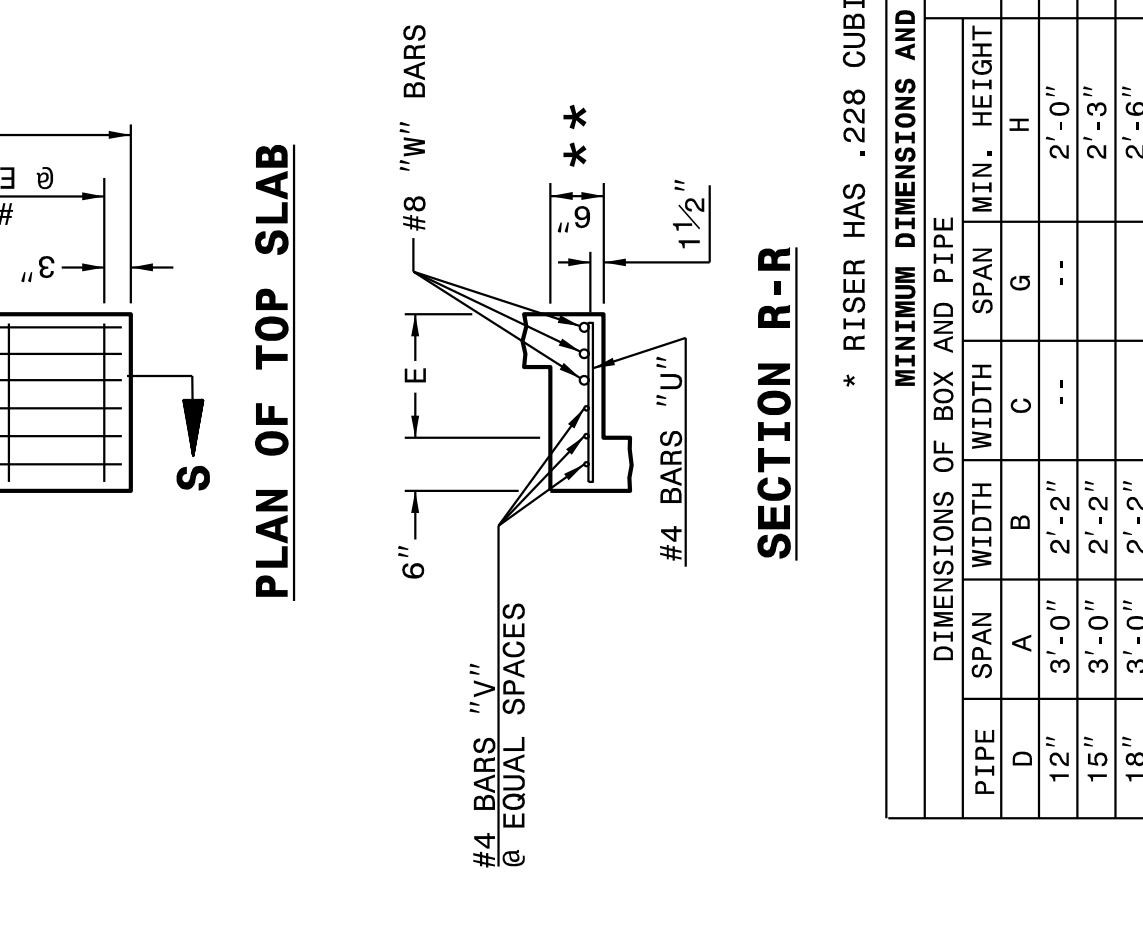
SHEET 1 OF 2
840D02

STATE OF
 NORTH CAROLINA
 DEPT. OF TRANSPORTATION
 DIVISION OF HIGHWAYS
 RALEIGH, N.C.



STATE OF
 NORTH CAROLINA
 DEPT. OF TRANSPORTATION
 DIVISION OF HIGHWAYS
 RALEIGH, N.C.

ENGLISH DETAIL DRAWING FOR
**EXTRA DEPTH
 CONCRETE CATCH BASIN**
 12" THRU 84" PIPE



ENGLISH DETAIL DRAWING FOR
**EXTRA DEPTH
 CONCRETE CATCH BASIN**
 12" THRU 84" PIPE

SHEET 2 OF 2
840D02

SHEET 2 OF 2
840D02

* RISER HAS .228 CUBIC YARDS OF CONCRETE PER FOOT HEIGHT

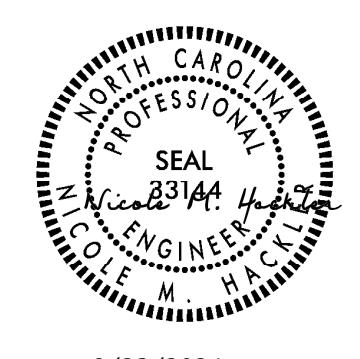
PIPE D.	DIMENSIONS OF BOX AND PIPE			COVER DIMENSION			BARS-U			BARS-V			BARS-W			TOTAL LBS.	CU. YDS. CONC. IN BOX	DEDUCTIONS		
	SPAN	WIDTH	HEIGHT	E	F	G	H	NO.	LENGTH	NO.	LENGTH	NO.	LENGTH	NO.	LENGTH			TOP SLAB	BOTTOM CONC. FOR MINIMUM HEADBL. B.	TOT. CONC. ONE PIPE
12"	3'-0"	2'-2"	2'-0"	2'-0"	2'-3"	3'-1"	3'-1"	0.235	0.772	0.015	0.026
15"	3'-0"	2'-2"	2'-0"	2'-0"	2'-3"	3'-1"	3'-1"	0.235	0.887	0.023	0.036
18"	3'-0"	2'-2"	2'-0"	2'-0"	2'-3"	3'-1"	3'-1"	0.235	0.887	0.023	0.036
24"	3'-0"	2'-2"	2'-0"	2'-0"	2'-3"	3'-1"	3'-1"	0.235	1.001	0.059	0.085
30"	3'-0"	2'-2"	2'-0"	2'-0"	2'-3"	3'-1"	3'-1"	0.235	1.001	0.059	0.085
36"	3'-0"	2'-2"	2'-0"	2'-0"	2'-3"	3'-1"	3'-1"	0.235	1.001	0.059	0.085
42"	3'-0"	2'-2"	2'-0"	2'-0"	2'-3"	3'-1"	3'-1"	0.235	1.001	0.059	0.085
48"	3'-0"	2'-2"	2'-0"	2'-0"	2'-3"	3'-1"	3'-1"	0.235	1.001	0.059	0.085
54"	3'-0"	2'-2"	2'-0"	2'-0"	2'-3"	3'-1"	3'-1"	0.235	1.001	0.059	0.085
60"	3'-0"	2'-2"	2'-0"	2'-0"	2'-3"	3'-1"	3'-1"	0.235	1.001	0.059	0.085
66"	3'-0"	2'-2"	2'-0"	2'-0"	2'-3"	3'-1"	3'-1"	0.235	1.001	0.059	0.085
72"	3'-0"	2'-2"	2'-0"	2'-0"	2'-3"	3'-1"	3'-1"	0.235	1.001	0.059	0.085
78"	3'-0"	2'-2"	2'-0"	2'-0"	2'-3"	3'-1"	3'-1"	0.235	1.001	0.059	0.085
84"	3'-0"	2'-2"	2'-0"	2'-0"	2'-3"	3'-1"	3'-1"	0.235	1.001	0.059	0.085

DOCUMENT NOT CONSIDERED FINAL
 UNLESS ALL SIGNATURES COMPLETED

**CONTRACT STANDARDS
 AND DEVELOPMENT UNIT**
 Office 919-707-6950 FAX 919-250-4119

SEE PLATE FOR TITLE

ORIGINAL BY: 2002 Std.840.01 DATE: _____
 MODIFIED BY: E.E. WARD DATE: 3-1-02
 CHECKED BY: _____ DATE: _____
 FILE SPEC.: jhewerton/840d02 Extra Depth CB.dgn



9/23/2004