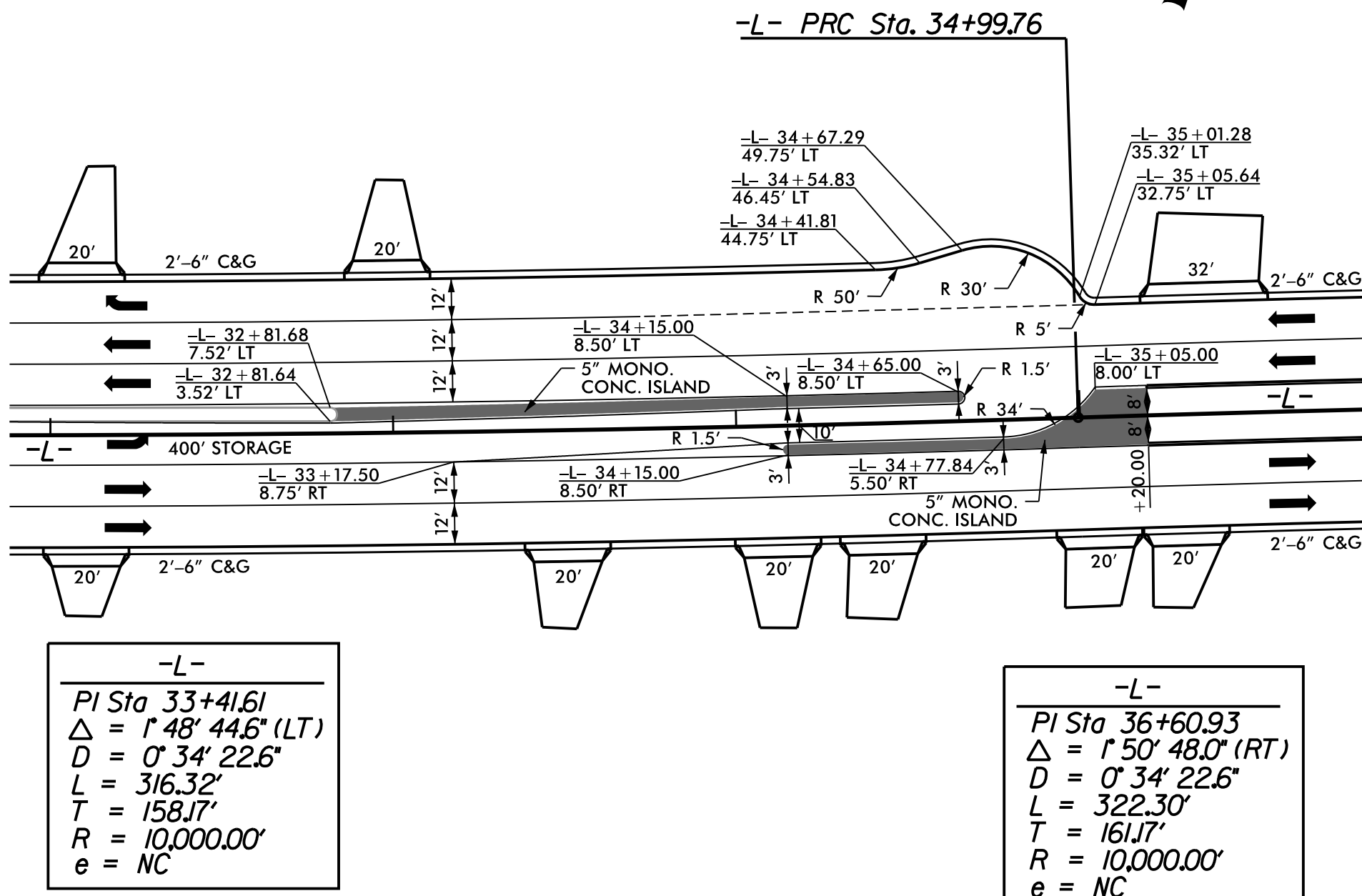


-L- BULB-OUT (35 + 00) DETAIL

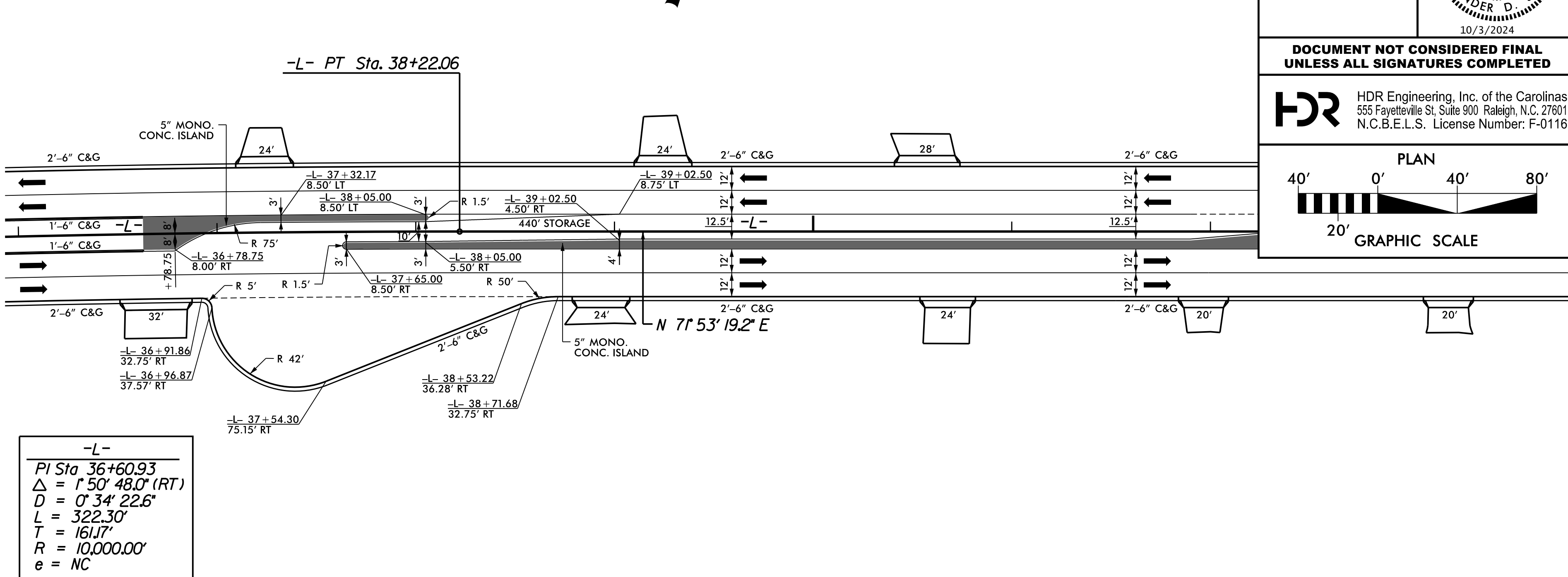


-L-
 PI Sta 33+41.61
 $\Delta = 1' 48' 44.6''$ (LT)
 $D = 0' 34' 22.6''$
 $L = 316.32'$
 $T = 158.17'$
 $R = 10,000.00'$
 $e = NC$

-L-
 PI Sta 36+60.93
 $\Delta = 1' 50' 48.0''$ (RT)
 $D = 0' 34' 22.6''$
 $L = 322.30'$
 $T = 161.17'$
 $R = 10,000.00'$
 $e = NC$

SEE SHEET 4 & 5 FOR PLAN VIEW

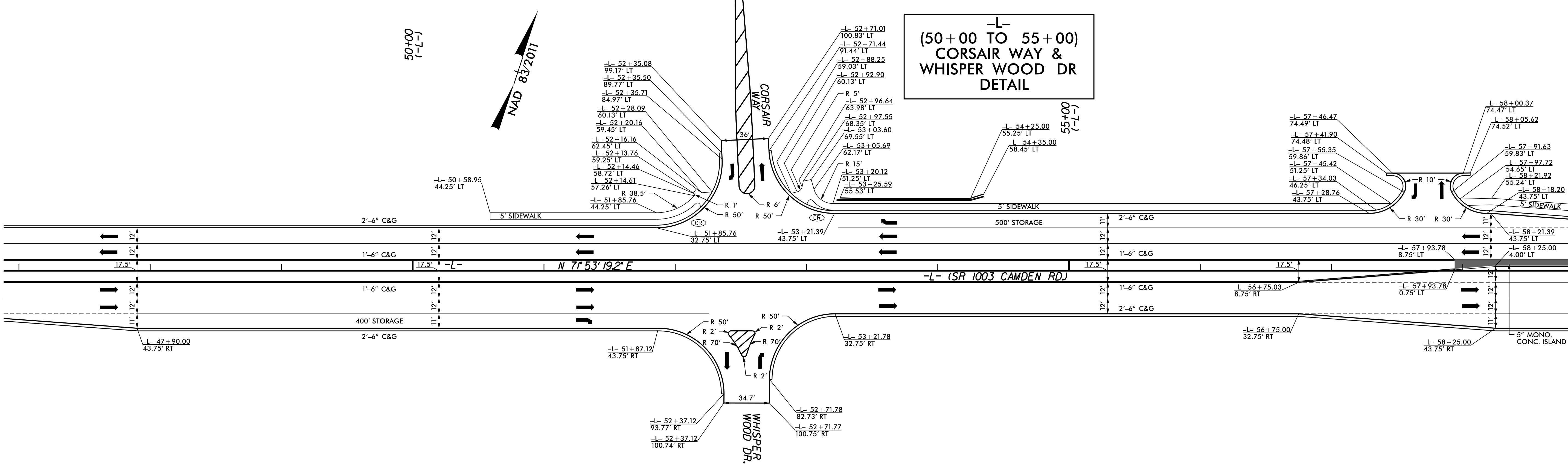
-L- BULB-OUT (38 + 00) DETAIL



-L-
 PI Sta 36+60.93
 $\Delta = 1' 50' 48.0''$ (RT)
 $D = 0' 34' 22.6''$
 $L = 322.30'$
 $T = 161.17'$
 $R = 10,000.00'$
 $e = NC$

SEE SHEET 5 FOR PLAN VIEW

-L- (50 + 00 TO 55 + 00) CORSAIR WAY & WHISPER WOOD DR DETAIL



SEE SHEET 6 FOR PLAN VIEW

PROJECT REFERENCE NO. U-3422A	SHEET NO. 2B-2
RW SHEET NO.	
ROADWAY DESIGN ENGINEER	
DOCUMENT NOT CONSIDERED FINAL UNLESS ALL SIGNATURES COMPLETED	