

FINAL GRADE EROSION CONTROL FOR CONSTRUCTION SHEET 04

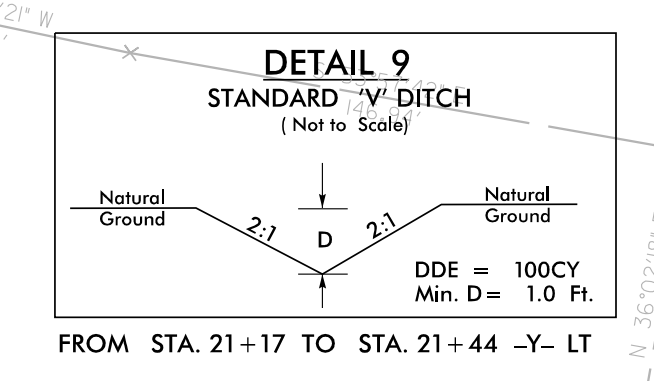
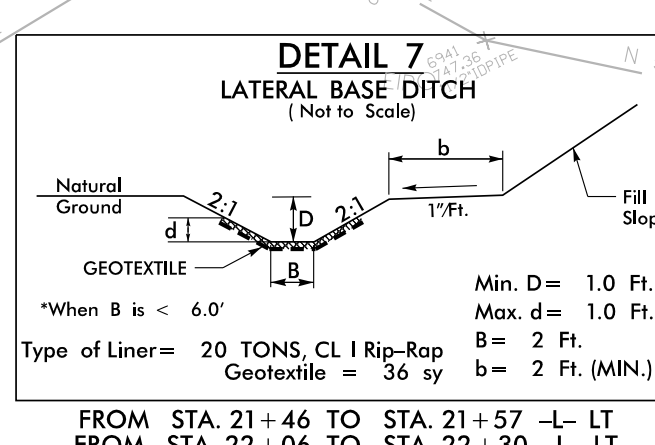
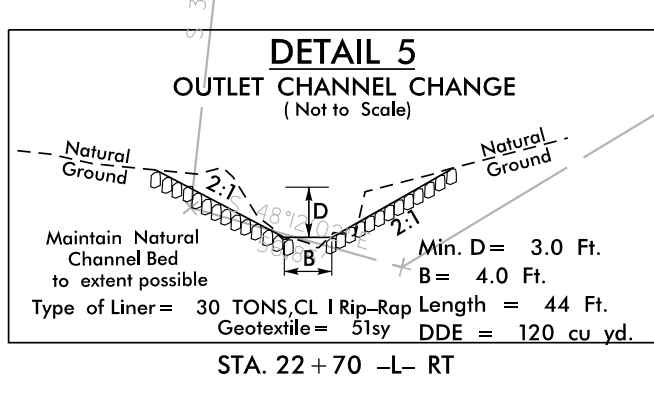
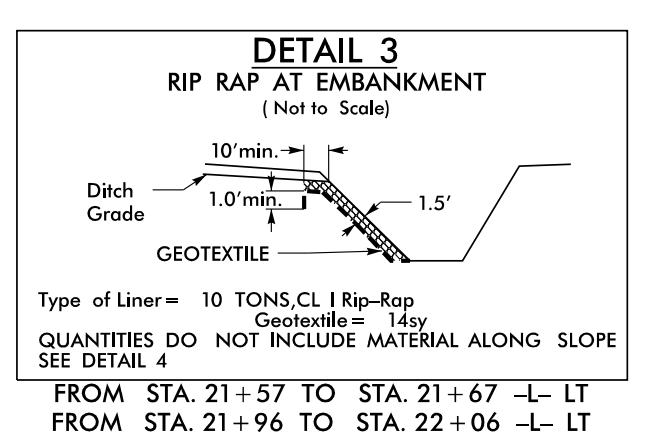
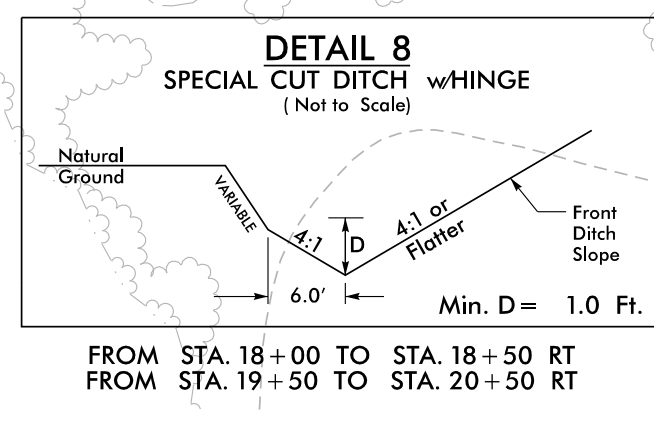
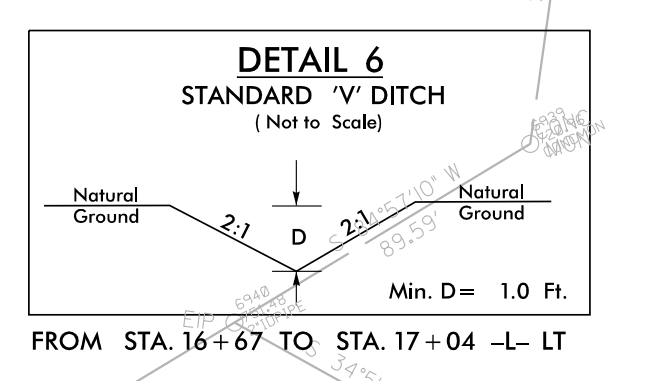
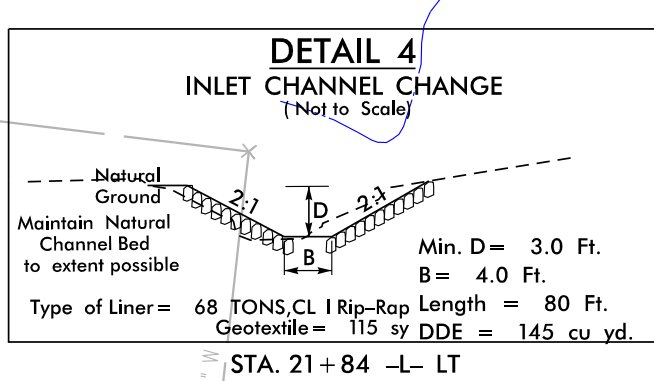
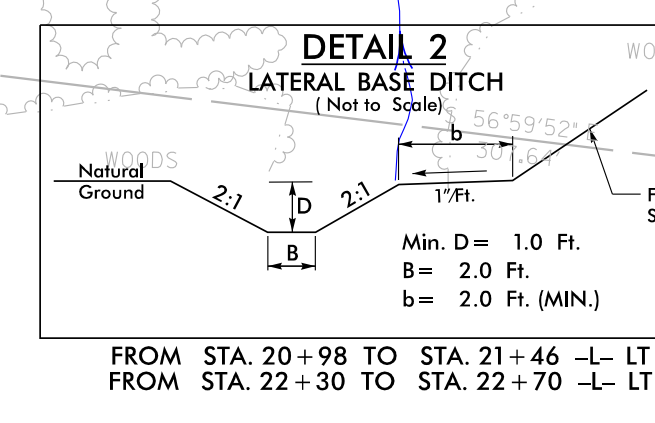
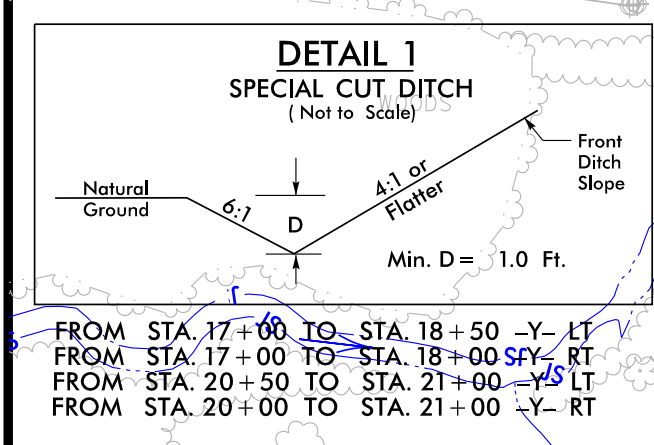
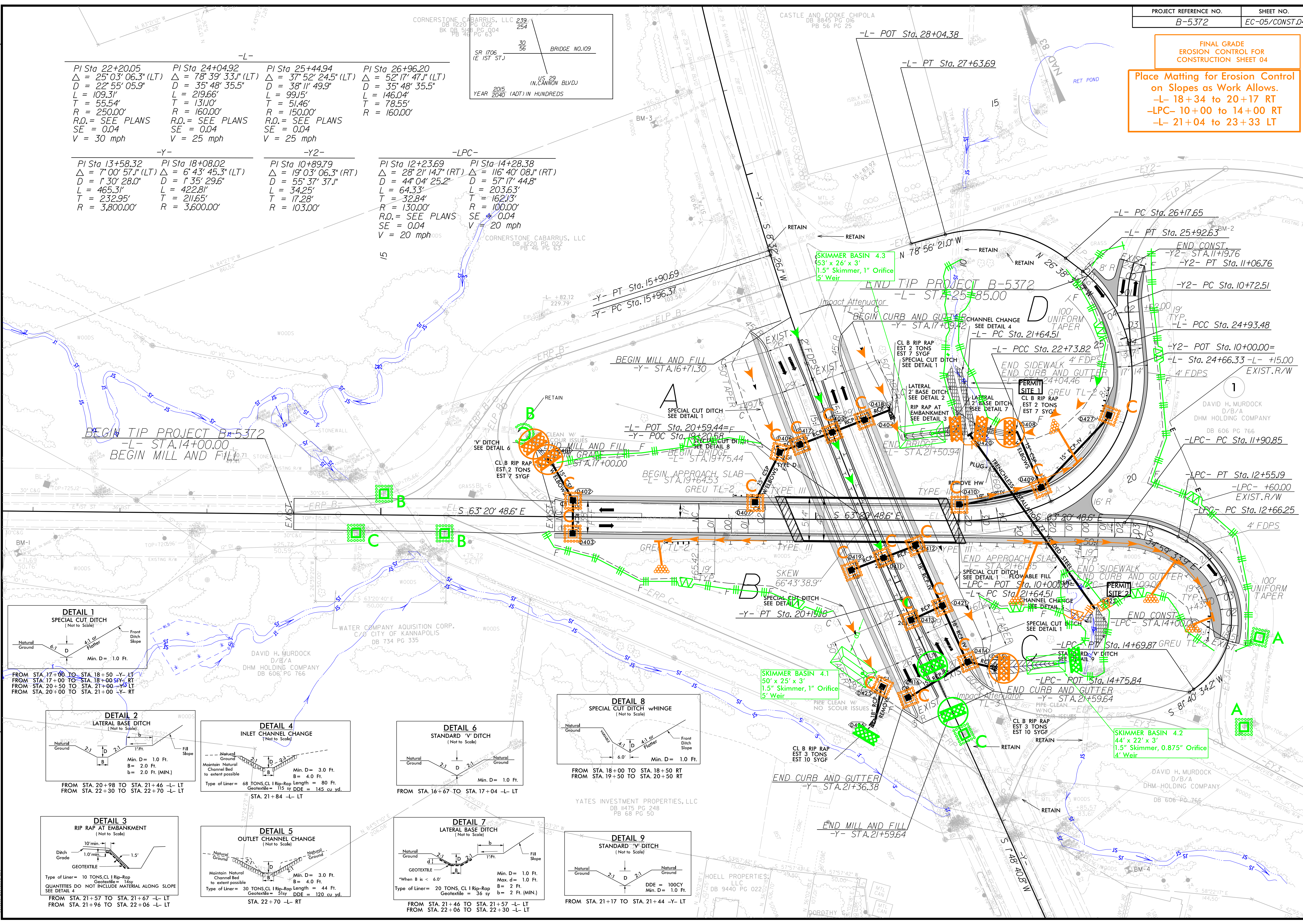
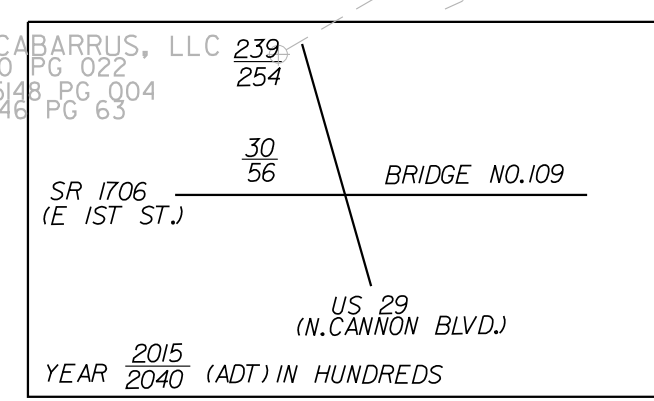
Place Matting for Erosion Control on Slopes as Work Allows.

- L- 18+34 to 20+17 RT
- LPC- 10+00 to 14+00 RT
- L- 21+04 to 23+33 LT

-L-	-Y-	-LPC-
PI Sta 22+20.05 $\Delta = 25^{\circ} 03' 06.3"$ (LT) $D = 22^{\circ} 55' 05.9"$ $L = 109.31'$ $T = 55.54'$ $R = 250.00'$ R.O. = SEE PLANS $SE = 0.04$ $V = 30$ mph	PI Sta 24+04.92 $\Delta = 78^{\circ} 39' 33.1"$ (LT) $D = 35^{\circ} 48' 35.5"$ $L = 219.66'$ $T = 131.10'$ $R = 160.00'$ R.O. = SEE PLANS $SE = 0.04$ $V = 25$ mph	PI Sta 25+44.94 $\Delta = 37^{\circ} 52' 24.5"$ (LT) $D = 38^{\circ} 11' 49.9"$ $L = 99.15'$ $T = 51.46'$ $R = 150.00'$ R.O. = SEE PLANS $SE = 0.04$ $V = 25$ mph

-Y-	-LPC-
PI Sta 13+58.32 $\Delta = 7^{\circ} 00' 57.1"$ (LT) $D = 1^{\circ} 30' 28.0"$ $L = 465.31'$ $T = 232.95'$ $R = 3,800.00'$	PI Sta 14+28.38 $\Delta = 116^{\circ} 40' 08.1"$ (RT) $D = 57^{\circ} 17' 44.8"$ $L = 203.63'$ $T = 162.13'$ $R = 100.00'$ R.O. = SEE PLANS $SE = 0.04$ $V = 20$ mph

-Y-	-LPC-
PI Sta 10+89.79 $\Delta = 19^{\circ} 03' 06.3"$ (RT) $D = 57^{\circ} 17' 44.8"$ $L = 34.25'$ $T = 17.28'$ $R = 103.00'$	PI Sta 12+23.69 $\Delta = 28^{\circ} 21' 14.7"$ (RT) $D = 44^{\circ} 04' 25.2"$ $L = 64.33'$ $T = 32.84'$ $R = 130.00'$ R.O. = SEE PLANS $SE = 0.04$ $V = 20$ mph



REVISIONS

7/8/2024, 2:41:18 PM
 B-5372-ENV-EC-05.dgn
 User: jsmith