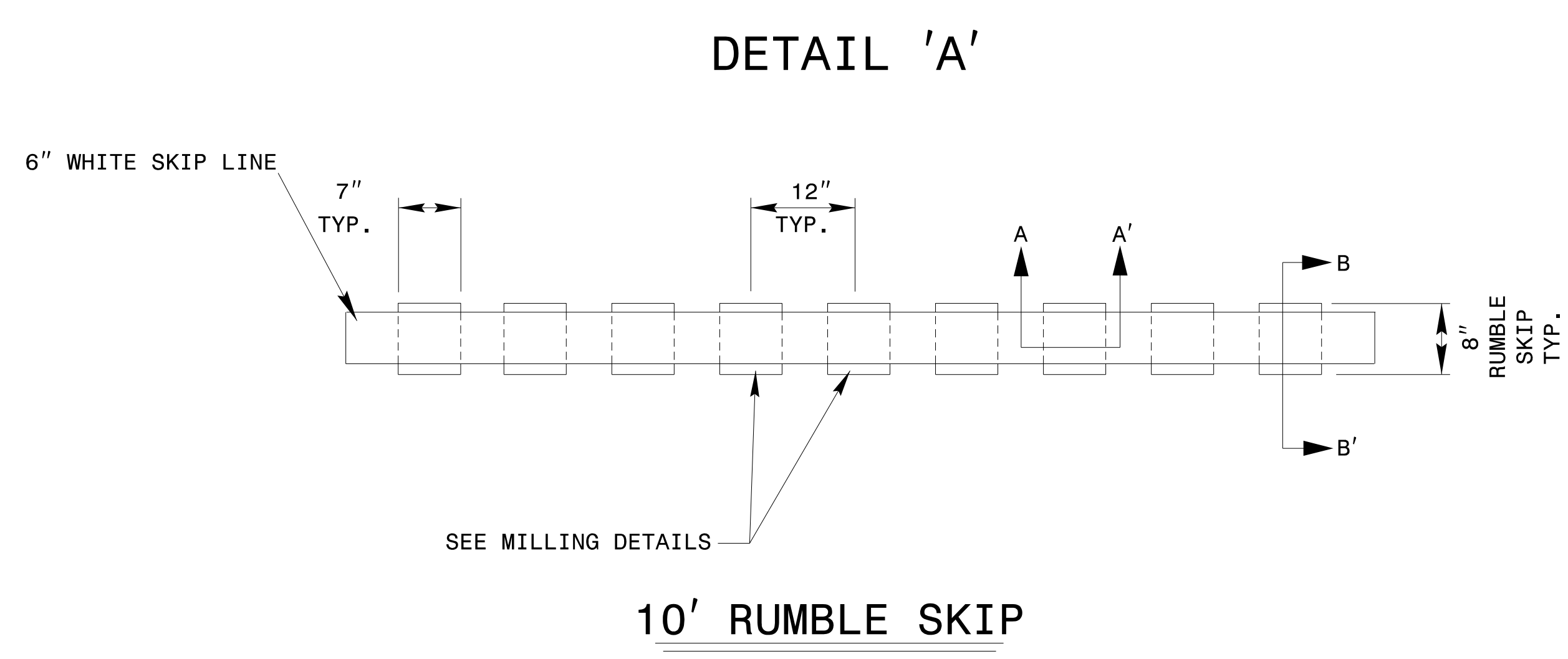
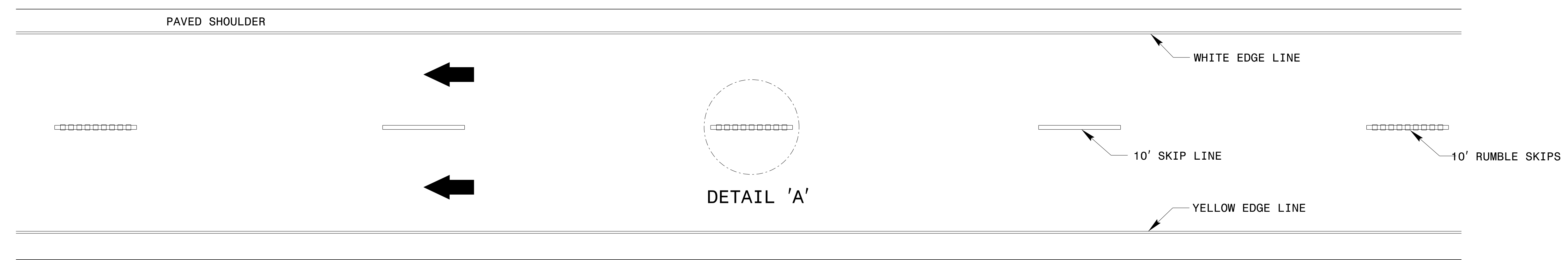
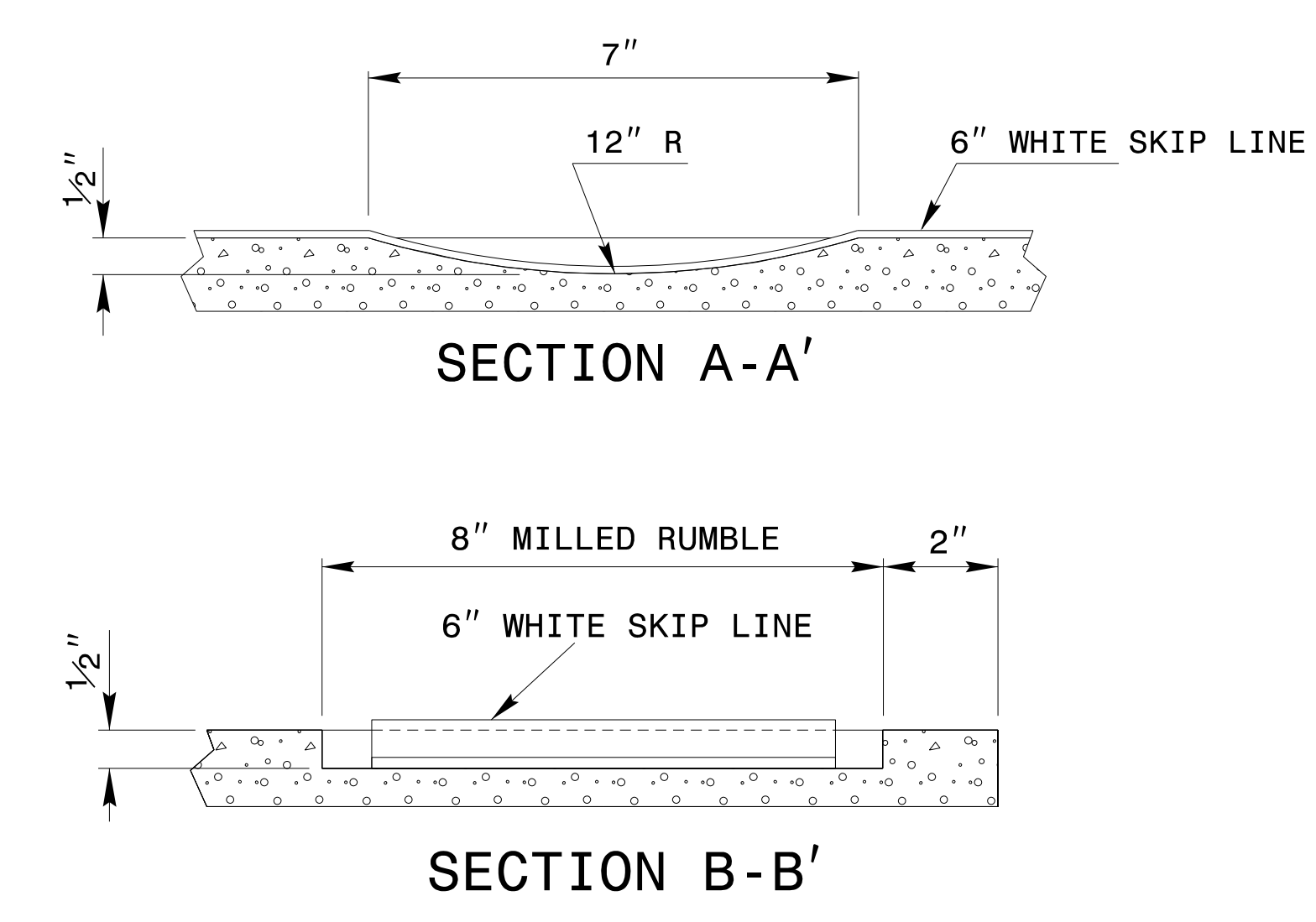


# LANE TREATMENT



## MILLING/MARKING DETAILS



11/1/2024

### NOTES:

- 1) USING A VACUUM IN THE SAME OPERATION, REMOVE ALL DEBRIS FROM THE MILLINGS JUST PRIOR TO PLACING ANY PAVEMENT MARKINGS.
- 2) ENSURE GLASS BEADS ARE SPREAD UNIFORMLY OVER THE ENTIRE SURFACE OF PAVEMENT MARKING.
- 3) MILL RUMBLES EVERY OTHER SKIP AS SHOWN.
- 4) SEE PLANS FOR MARKING THICKNESS

**CONTRACTS STANDARDS AND DEVELOPMENT UNIT**  
Office 919-707-8950 FAX 919-250-4119

**DETAIL OF MILLED RUMBLE SKIPS**

ORIGINAL BY: rgwatson	DATE: 02-06-2024
MODIFIED BY:	DATE:
CHECKED BY:	DATE:
FILE SPEC.:	