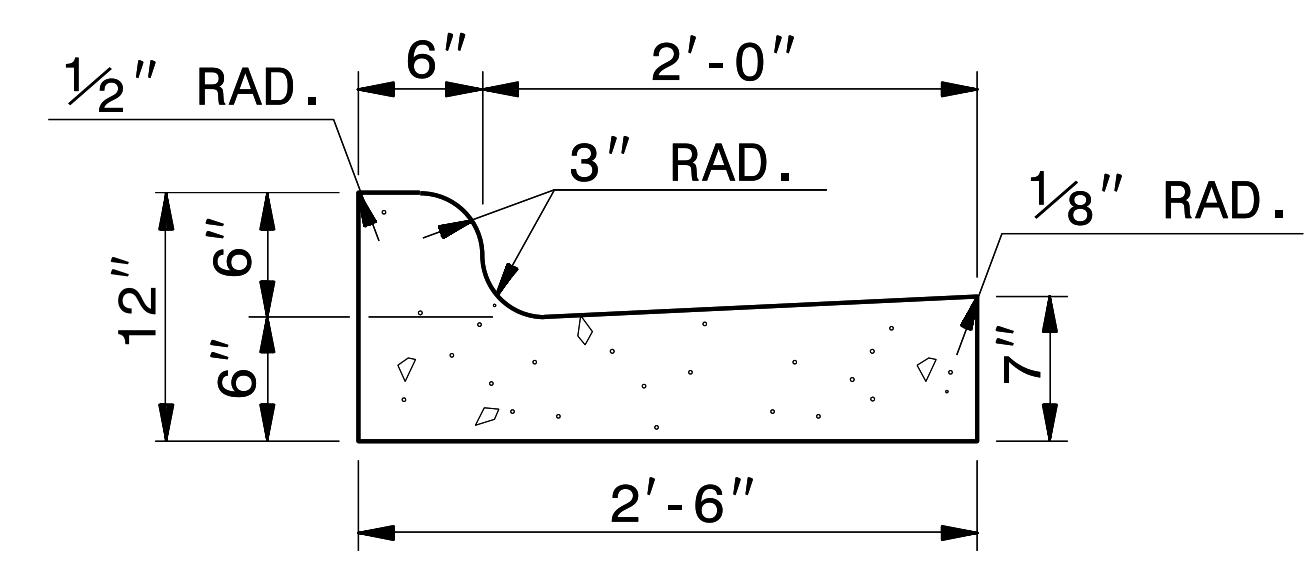
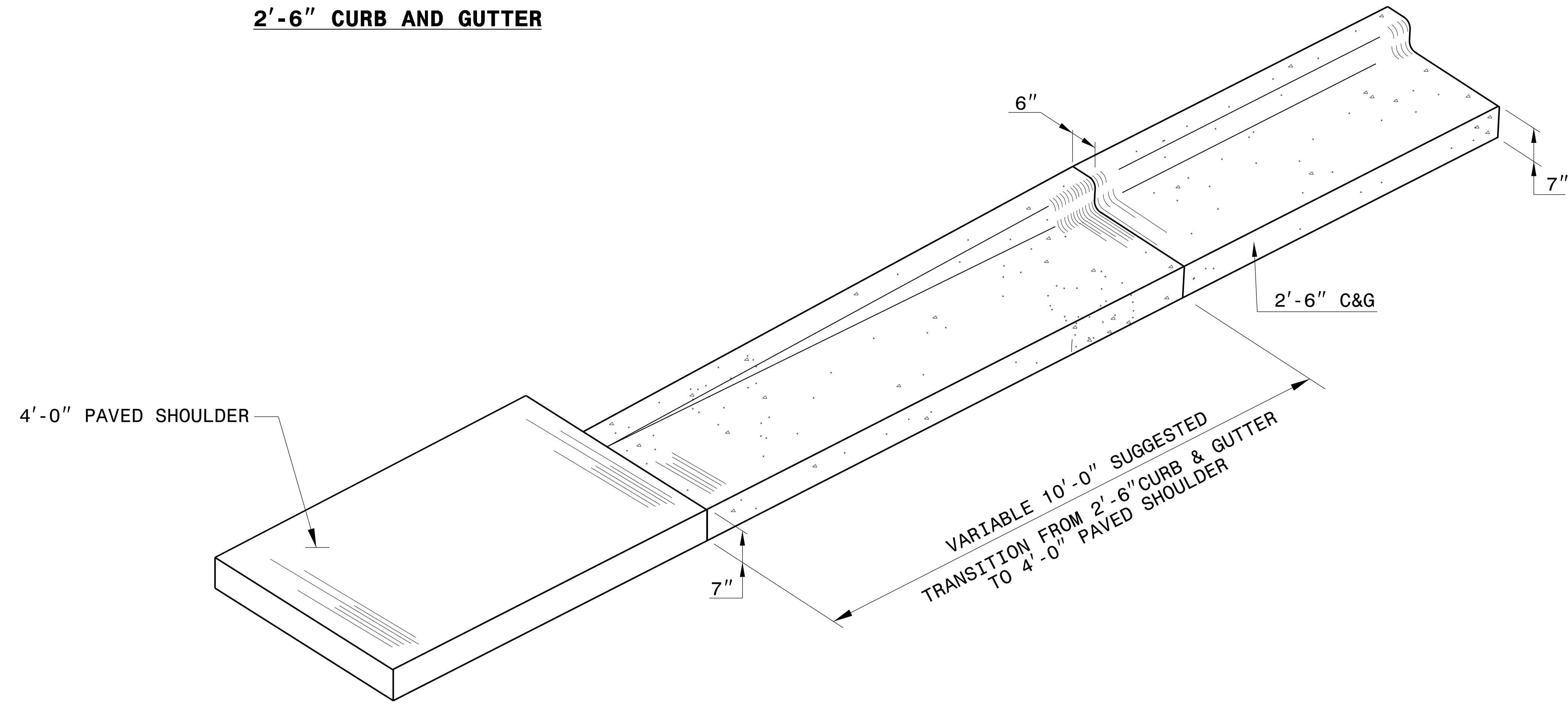


5/14/99

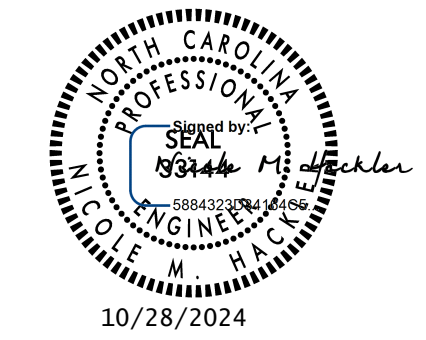
***NOTE: SEE STD. DWG. 846.01
FOR GENERAL NOTES**



2'-6" CURB AND GUTTER



ISOMETRIC VIEW OF TRANSITION



**DOCUMENT NOT CONSIDERED FINAL
UNLESS ALL SIGNATURES COMPLETED**

**CONTRACT STANDARDS
AND DEVELOPMENT UNIT**
Office 919-707-6950 FAX 919-250-4119

**DETAIL OF 10' TRANSITION
FROM 2'-6" CURB & GUTTER
TO 4'-0" PAVED SHOULDER**

ORIGINAL BY: _____ DATE: _____
 MODIFIED BY: rnbritt DATE: 04-13-2016
 CHECKED BY: _____ DATE: _____
 FILE SPEC: details/nbritt/english/misc/c&g_transition_sections.dgn

I:\MAR-2020\1425
S:\Contracts\Special Details\english\misc\c&g_transition_sections.dgn
J:\overton AT USD-320965