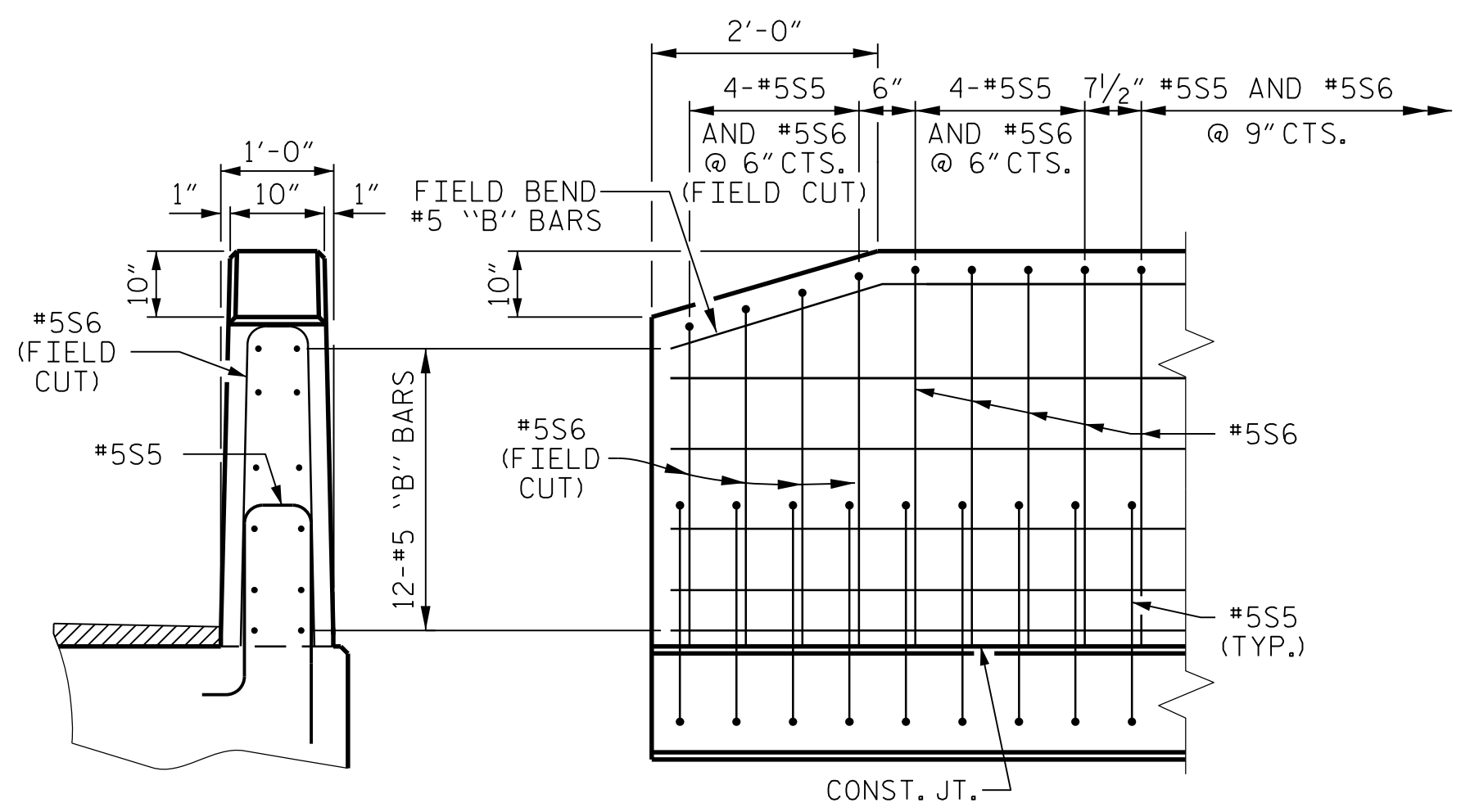
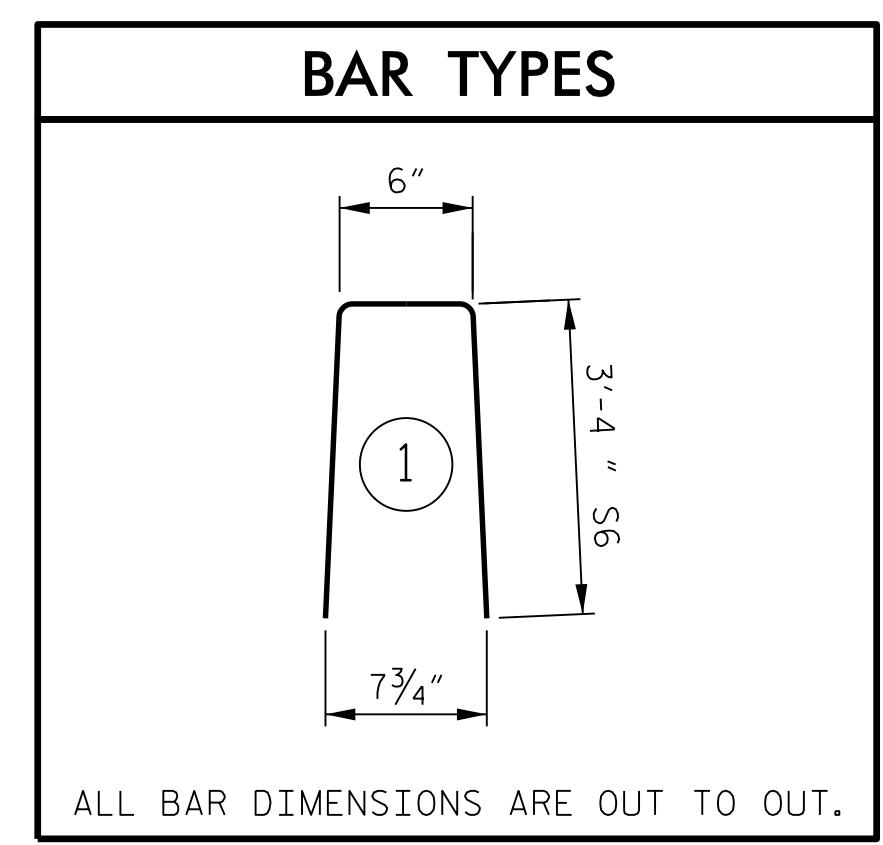


ELASTOMERIC BEARING DETAILS

ELASTOMER IN ALL BEARINGS SHALL BE 60 DUROMETER HARDNESS.



END OF RAIL DETAILS



BILL OF MATERIAL FOR VERTICAL CONCRETE BARRIER RAIL

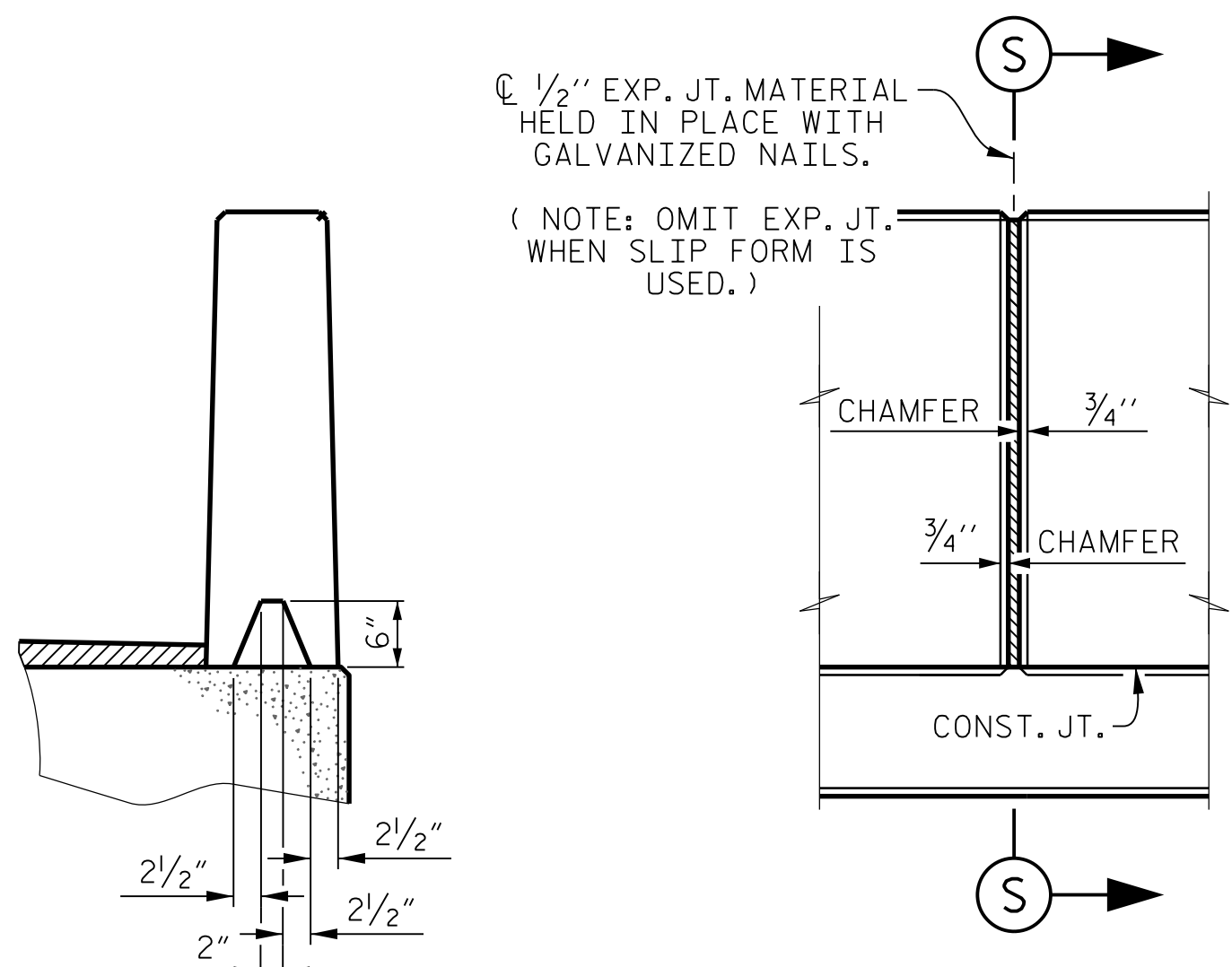
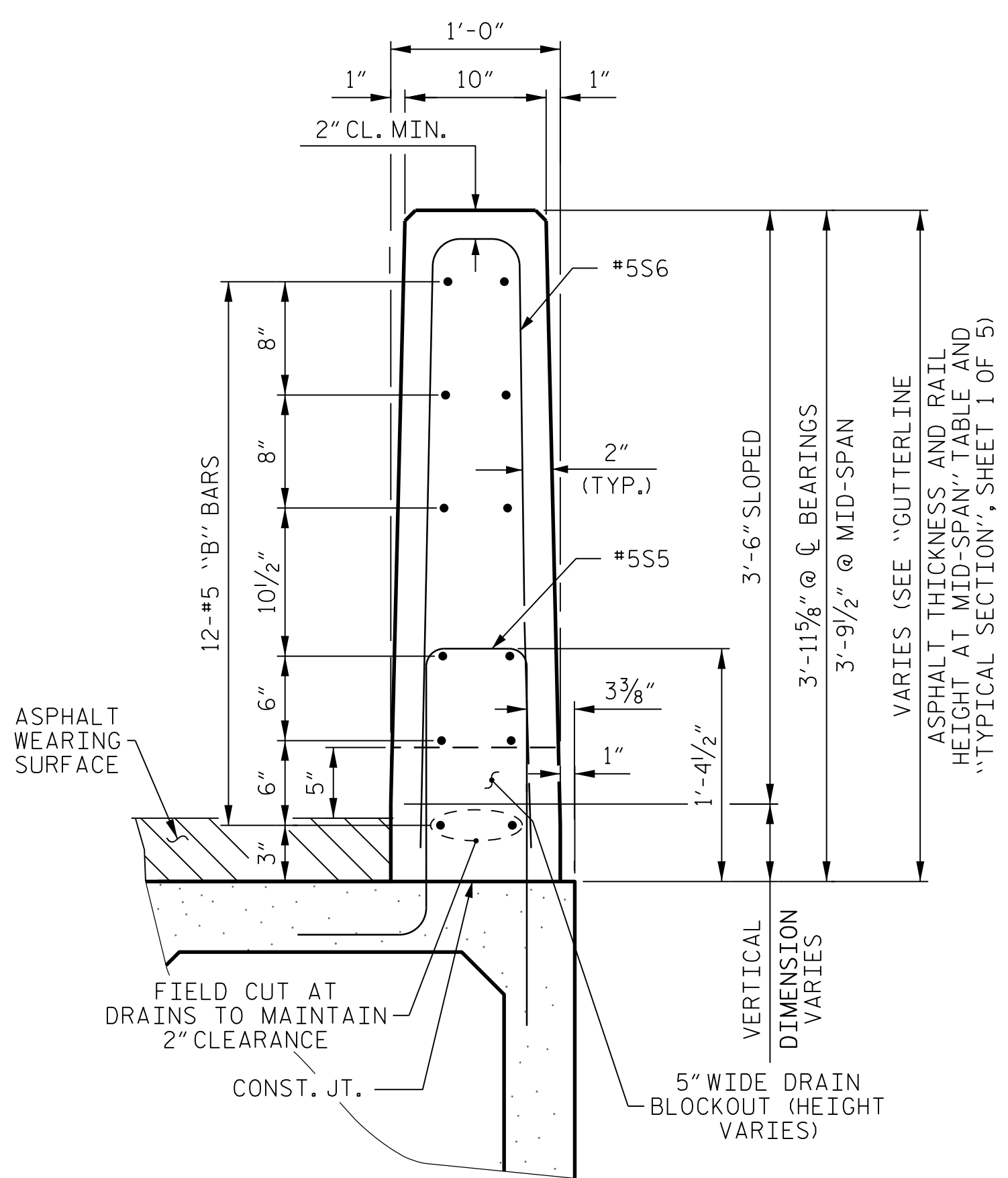
BAR	BARS PER ONE EXTERIOR UNITS	TOTAL No.	SIZE	TYPE	LENGTH	WEIGHT
	100'-0" UNIT					
* B12	48	96	#5	STR	24'- 7"	2,461
* S6	138	276	#5	1	7'- 2"	2,063
* EPOXY COATED REINFORCING STEEL						4,524 LBS.
CLASS AA CONCRETE						25.9 CU. YDS.
VERTICAL CONCRETE BARRIER RAIL						200.0 LIN. FT.

BOX BEAMS REQUIRED

SPAN A, SPAN B OR SPAN C	NUMBER	LENGTH	TOTAL LENGTH
EXTERIOR BOX BEAM	2	100'-0"	200'-0"
INTERIOR BOX BEAM	11	100'-0"	1,100'-0"
TOTAL	13		1,300'-0"

GUTTERLINE ASPHALT THICKNESS AND RAIL HEIGHT AT MID-SPAN

	ASPHALT OVERLAY THICKNESS @ MID-SPAN	RAIL HEIGHT @ MID-SPAN
LEFT	2 3/8"	3'-8 3/8"
RIGHT	2 3/8"	3'-8 3/8"



VERTICAL CONCRETE BARRIER RAIL DETAILS

PROJECT NO. **BR-0063**
ANSON COUNTY
STATION: **20+15.00 -L-**
SHEET 5 OF 5

STATE OF NORTH CAROLINA
DEPARTMENT OF TRANSPORTATION
RALEIGH

STANDARD
3'-0" x 3'-3"
PRESTRESSED CONCRETE
BOX BEAM UNIT
90° SKEW

REVISIONS						SHEET No.
No.	BY:	DATE:	No.	BY:	DATE:	S-9
1			3			TOTAL SHEETS
2			4			19

DOCUMENT NOT CONSIDERED FINAL UNLESS ALL SIGNATURES COMPLETED

NORTH CAROLINA PROFESSIONAL ENGINEER SEAL 046289 G. P. HOOVER

Signed: *G. P. Hoover* 10/2/2024

PLANS PREPARED BY:
ARCADIS
175 REGENCY WOOD PLACE, SUITE 400
CARY, NORTH CAROLINA 27518
NC LICENSE No. 0486277
FOR NORTH CAROLINA DEPARTMENT OF TRANSPORTATION

DRAWN BY: **K. E. LOFTON** DATE: **6-22**
CHECKED BY: **G. P. HOOVER** DATE: **9-23**
ENGINEER OF RECORD: **G. P. HOOVER** DATE: **9-23**

ASSEMBLED BY: **K. E. LOFTON** DATE: **6-22**
CHECKED BY: **G. P. HOOVER** DATE: **9-23**
DRAWN BY: **DGE** 10/11
CHECKED BY: **TMG** 11/11
REV. 5/18 MAA/THC

FILE: c:\p\work\arcadis\p01\gino.hoover\dm889249\BR-0063_Div_10_0030087_smm_bbs.dgn
DATE: 9/2/2024 10:04:25 AM