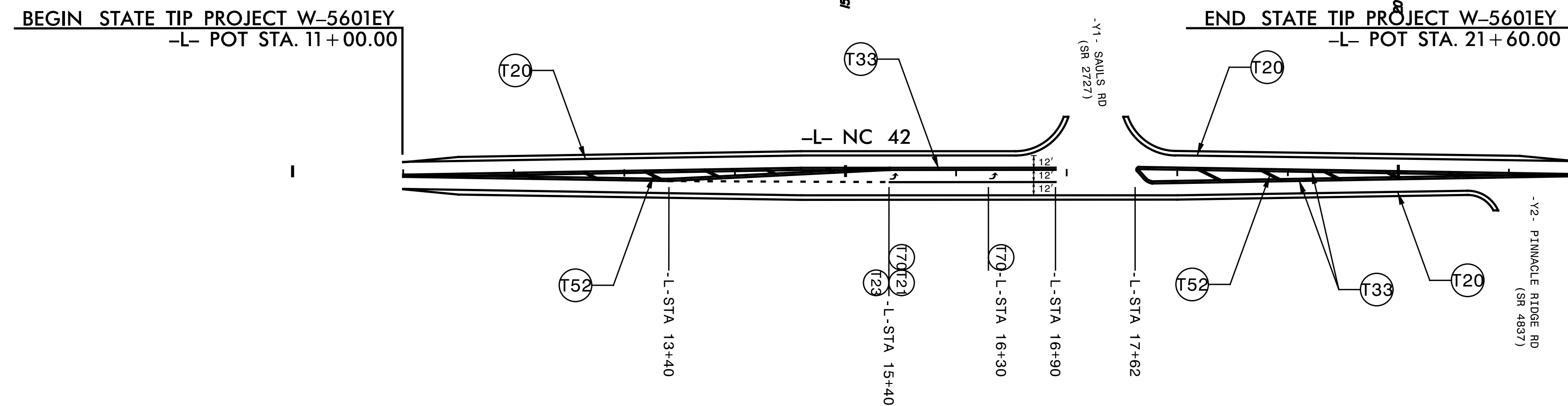


**STATE OF NORTH CAROLINA
DEPARTMENT OF TRANSPORTATION**

**PAVEMENT MARKING PLAN
WAKE COUNTY**

**LOCATION: CONSTRUCT AN EASTBOUND LEFT TURN LANE ON NC 42
AT THE SAULS RD. (SR 2727) INTERSECTION**



T.I.P.: W-5601EY

CONTRACT: C204987

PAVEMENT MARKING SCHEDULE

SYMBOL	DESCRIPTION	SYMBOL	DESCRIPTION
	THERMOPLASTIC (6")		THERMOPLASTIC (SYMBOL)
T20	WHITE EDGE LINE	T70	LEFT TURN ARROW
T21	WHITE SOLID LANE LINE		
T23	3 FT. - 9 FT/SP WHITE MINI SKIP		PERMANENT MARKERS
T33	YELLOW DOUBLE CENTER	MA	YELLOW/YELLOW CRYSTAL/RED
	THERMOPLASTIC (12")	MB	CRYSTAL/RED
T52	YELLOW DIAGONAL		

SUMMARY OF QUANTITIES

ITEM NO.		ITEM DESCRIPTION	QUANTITY	UNIT
DESC. NO.	SECT. NO.			
4688000000-E	1205	THERMOPLASTIC PAVEMENT MARKING LINES (6", 90 MIL)	5940	LF
4700000000-E	1205	THERMOPLASTIC PAVEMENT MARKING LINES (12", 90 MIL)	325	LF
4725000000-E	1205	THERMOPLASTIC PAVEMENT MARKING SYMBOLS	2	EA
4900000000-N	1251	RAISED PAVEMENT MARKERS - PERMANENT	53	EA

NOTE: W-5601EY WAS DELETED. THE WORK FOR W-5601EY WAS INCORPORATED INTO W-5601EX.

ROADWAY STANDARD DRAWING

THE FOLLOWING ROADWAY STANDARDS AS APPEAR IN "ROADWAY STANDARD DRAWINGS" - PROJECT SERVICES UNIT - N.C. DEPARTMENT OF TRANSPORTATION - RALEIGH, N.C., DATED JANUARY 2024 ARE APPLICABLE TO THIS PROJECT AND BY REFERENCE HEREBY ARE CONSIDERED A PART OF THESE PLANS:

STD. NO.	TITLE
1205.01	PAVEMENT MARKINGS - LINE TYPES AND OFFSETS
1205.02	PAVEMENT MARKINGS - TWO-LANE AND MULTI-LANE ROADWAYS
1205.04	PAVEMENT MARKINGS - INTERSECTIONS
1205.05	PAVEMENT MARKINGS - TURN LANES
1205.08	PAVEMENT MARKINGS - SYMBOLS AND WORD MESSAGES
1205.09	PAVEMENT MARKINGS - PAINTED ISLANDS
1250.01	RAISED PAVEMENT MARKERS - INSTALLATION SPACING
1251.01	RAISED PAVEMENT MARKERS - PERMANENT AND TEMPORARY

GENERAL NOTES

- THE FOLLOWING GENERAL NOTES APPLY AT ALL TIMES FOR THE DURATION OF THE CONSTRUCTION PROJECT, EXCEPT WHEN OTHERWISE NOTED IN THE PLAN, OR DIRECTED BY THE ENGINEER.
- INSTALL PAVEMENT MARKINGS AND PAVEMENT MARKERS ON THE FINAL SURFACE AS FOLLOWS:

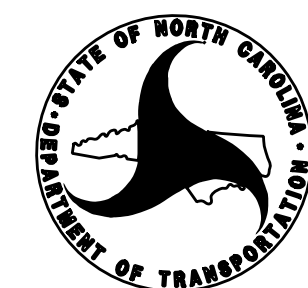
ROAD NAME	MARKING	MARKER
-L- NC 42	THERMOPLASTIC	RAISED
 - TIE PROPOSED PAVEMENT MARKING LINES TO EXISTING PAVEMENT MARKING LINES.
 - REMOVE/REPLACE ANY CONFLICTING/DAMAGED PAVEMENT MARKINGS AND MARKERS.
 - UNLESS OTHERWISE SPECIFIED, HEATED-IN-PLACE THERMOPLASTIC MAY BE USED IN LIEU OF EXTRUDED THERMOPLASTIC FOR STOP BARS, SYMBOLS, CHARACTERS AND DIAGONALS. IF HEATED-IN-PLACE IS USED, IT SHALL BE PAID FOR USING THE EXTRUDED THERMOPLASTIC PAY ITEM.

INDEX

SHEET NO.	DESCRIPTION
PMP - 1	TITLE SHEET
	PAVEMENT MARKING SCHEDULE & QUANTITIES
	ROADWAY STANDARD DRAWINGS & GENERAL NOTES
	PAVEMENT MARKING DETAIL
PMP - 1A	PAVEMENT MARKER DETAIL

CONTACTS: N.C.D.O.T. SIGNING AND DELINEATION UNIT

Derrick H. Beard SIGNING & DELINEATION REGIONAL ENGINEER
D. Mitchell Eaton, PE SIGNING & DELINEATION PROJECT DESIGN ENGINEER



**PLAN PREPARED BY:
SEPI INC.**

Steve Miller, PE PROJECT MANAGER
John Bauman, PE DESIGN ENGINEER

TRANSYSTEMS

1 Glenwood Avenue
Raleigh, NC 27603
Tel: 919.789.9977
Fax: 919.789.9591
License: F-0453