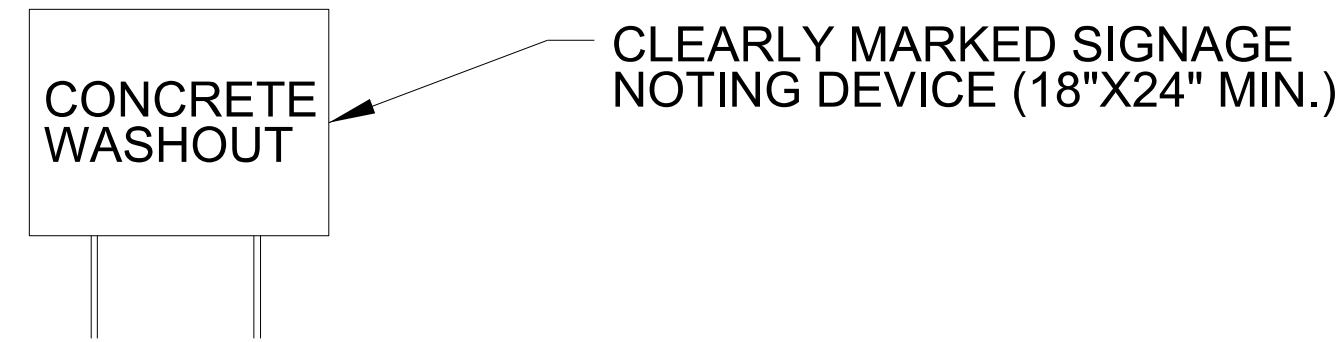
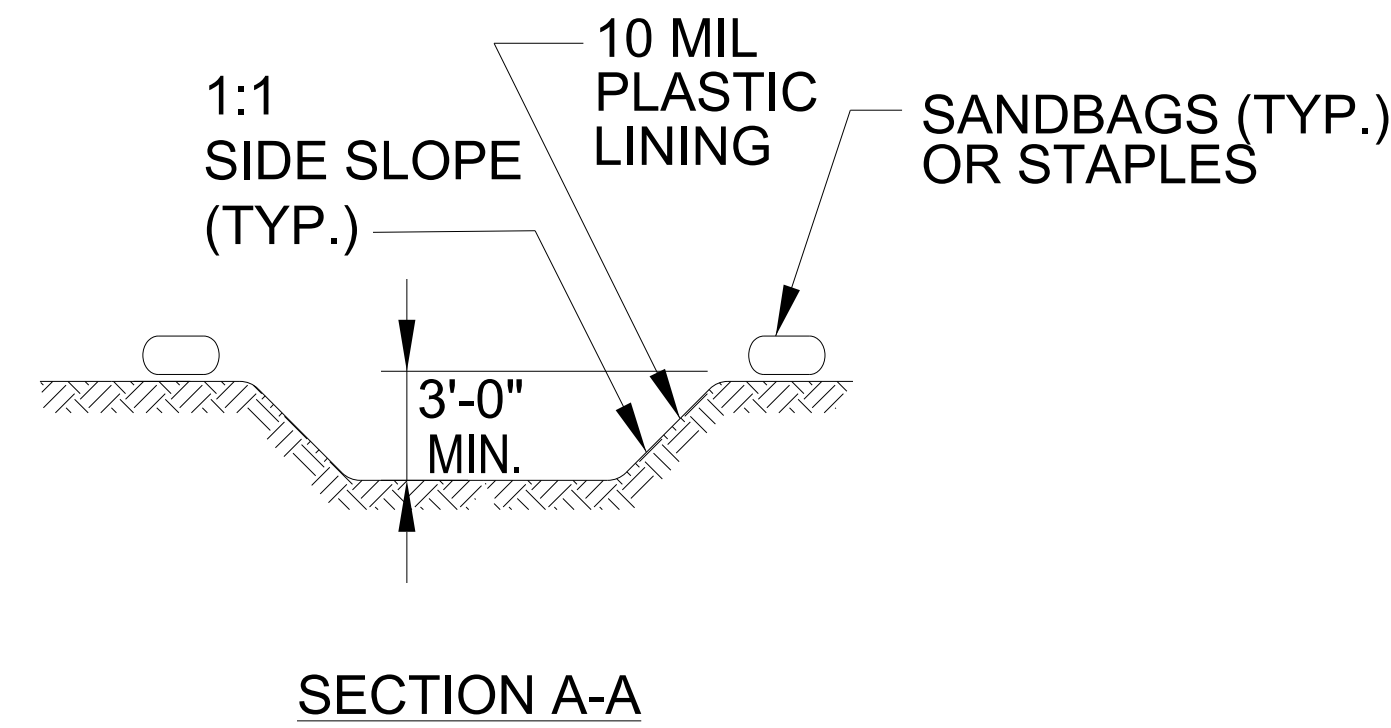
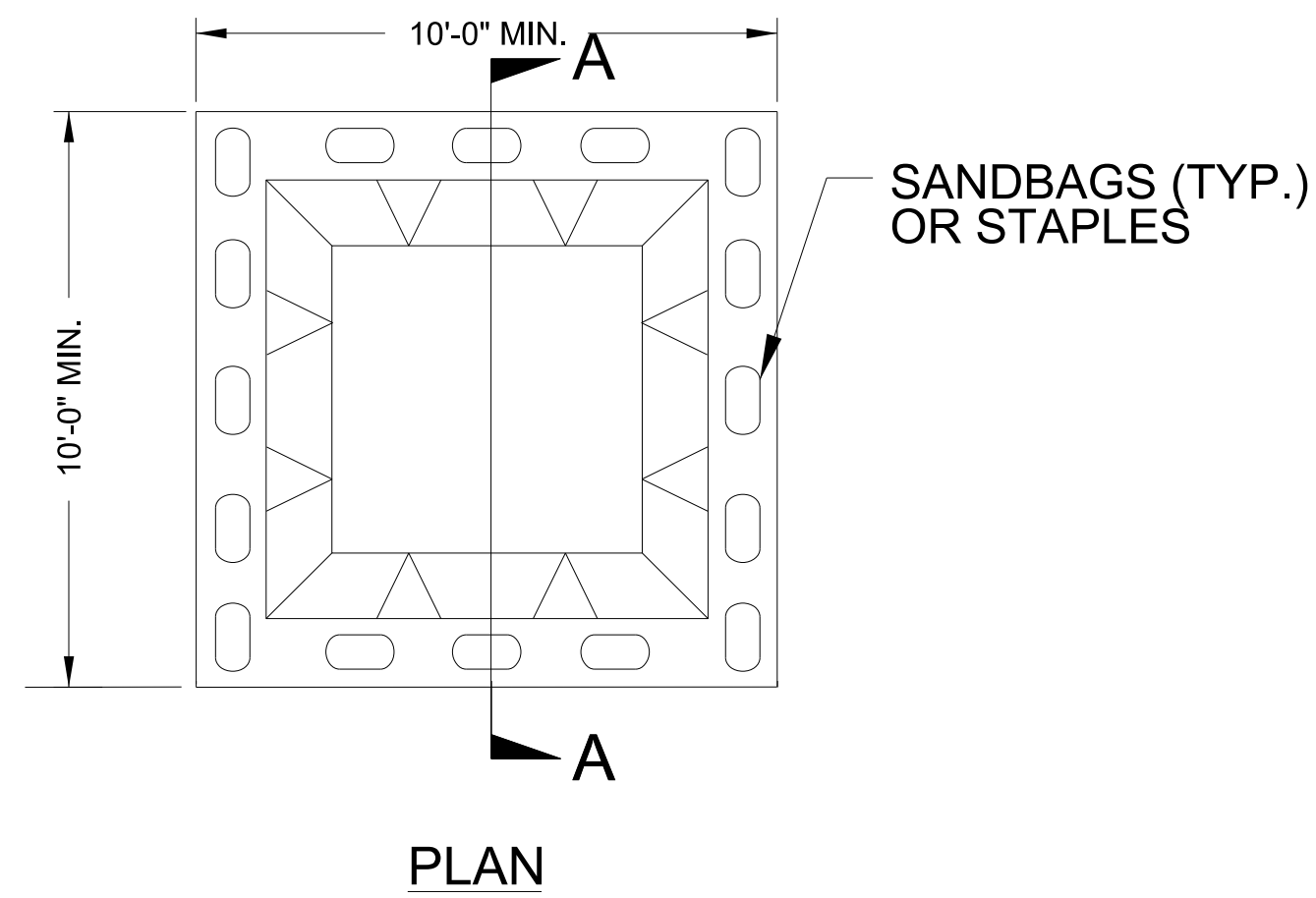


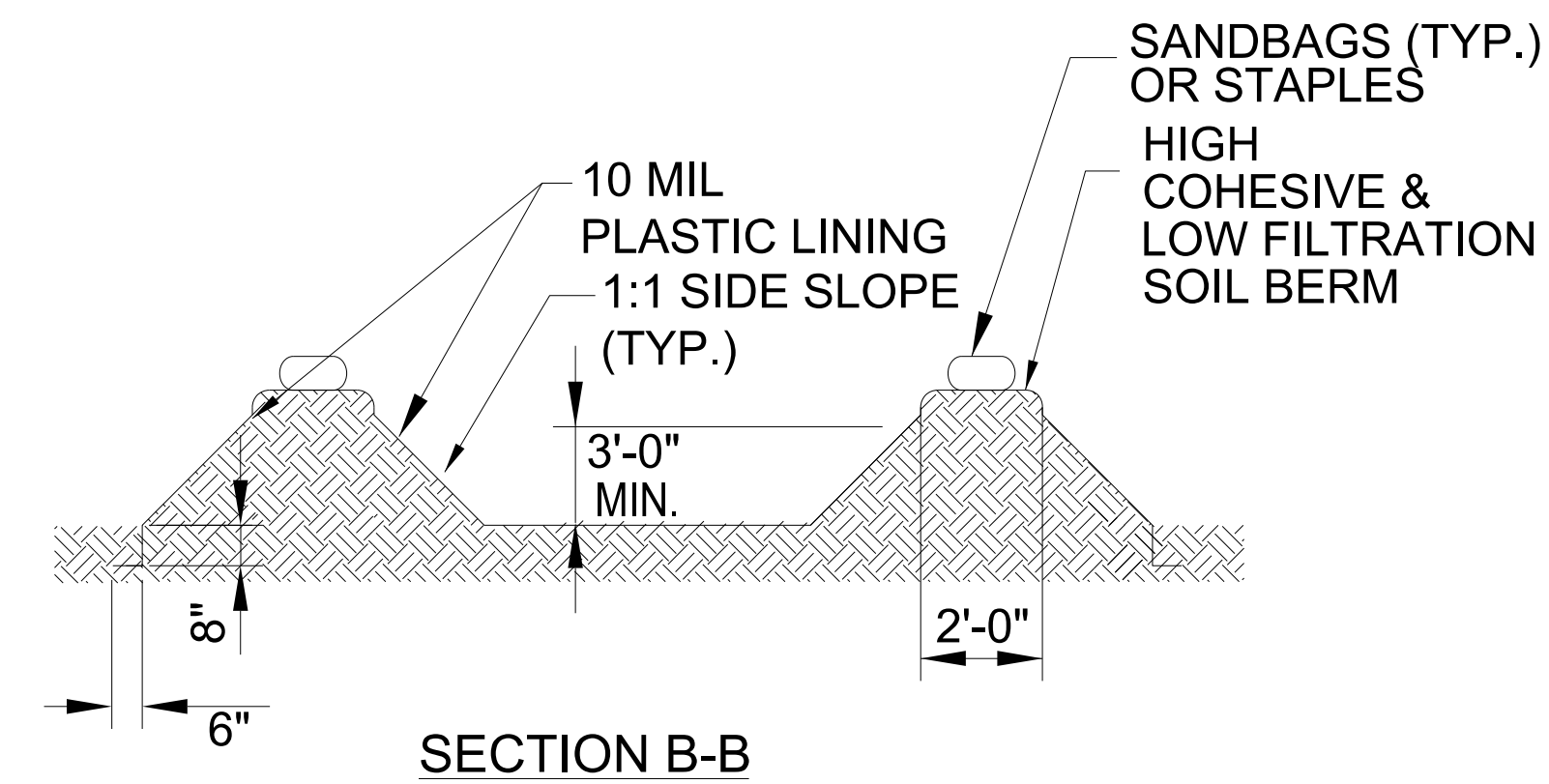
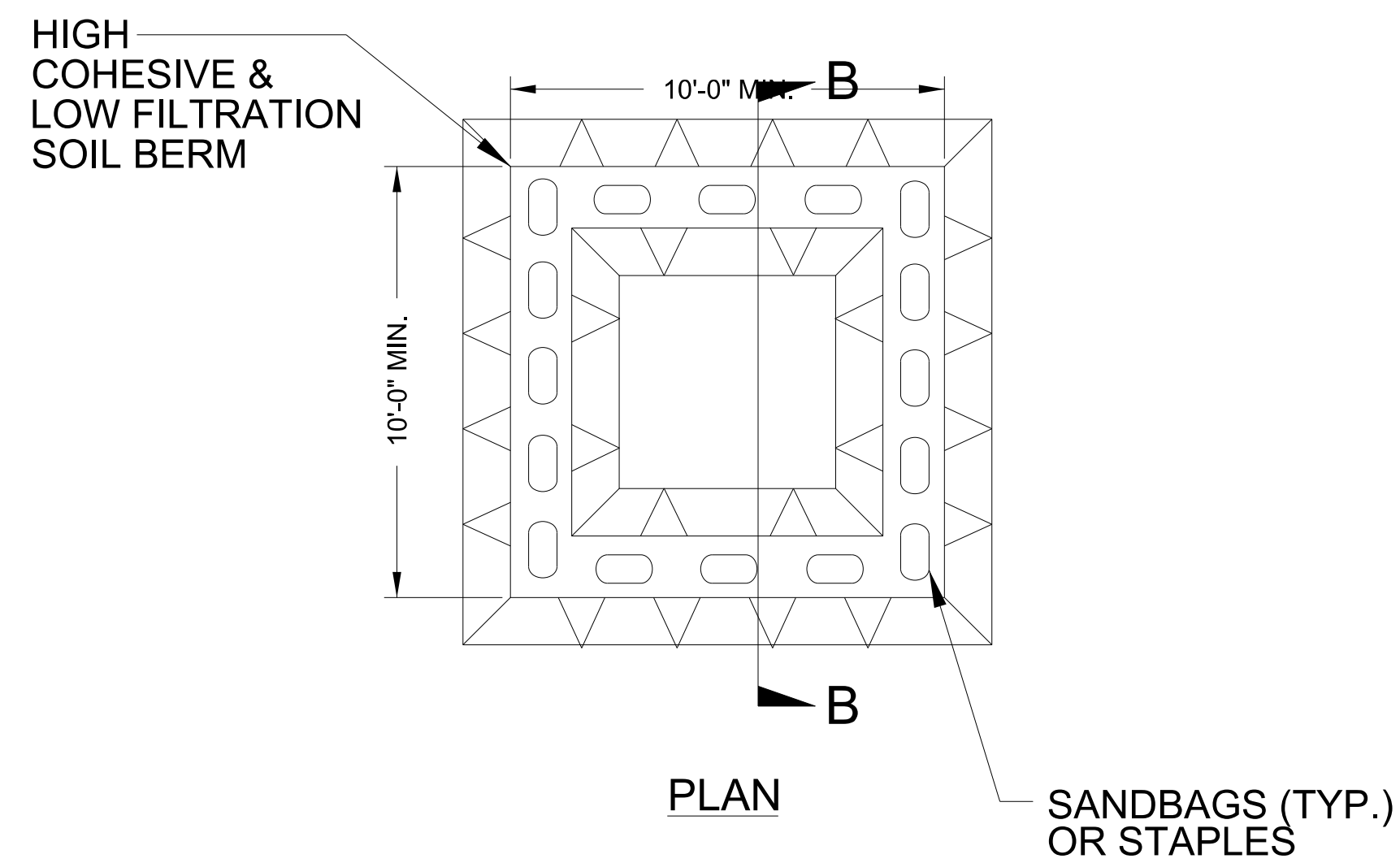
|                         |                     |
|-------------------------|---------------------|
| PROJECT REFERENCE NO.   | SHEET NO.           |
| <b>U-5746</b>           | <b>EC-2A</b>        |
| R/W SHEET NO.           |                     |
| ROADWAY DESIGN ENGINEER | HYDRAULICS ENGINEER |

# ONSITE CONCRETE WASHOUT STRUCTURE WITH LINER



**BELOW GRADE WASHOUT STRUCTURE**  
NOT TO SCALE

- NOTES:
1. ACTUAL LOCATION DETERMINED IN FIELD
  2. THE CONCRETE WASHOUT STRUCTURES SHALL BE MAINTAINED WHEN THE LIQUID AND/OR SOLID REACHES 75% OF THE STRUCTURES CAPACITY TO PROVIDE ADEQUATE HOLDING CAPACITY WITH A MINIMUM 12 INCHES OF FREEBOARD.
  3. CONCRETE WASHOUT STRUCTURE NEEDS TO BE CLEARLY MARKED WITH SIGNAGE NOTING DEVICE.



**ABOVE GRADE WASHOUT STRUCTURE**  
NOT TO SCALE

- NOTES:
1. ACTUAL LOCATION DETERMINED IN FIELD
  2. THE CONCRETE WASHOUT STRUCTURES SHALL BE MAINTAINED WHEN THE LIQUID AND/OR SOLID REACHES 75% OF THE STRUCTURES CAPACITY TO PROVIDE ADEQUATE HOLDING CAPACITY WITH A MINIMUM 12 INCHES OF FREEBOARD.
  3. CONCRETE WASHOUT STRUCTURE NEEDS TO BE CLEARLY MARKED WITH SIGNAGE NOTING DEVICE.