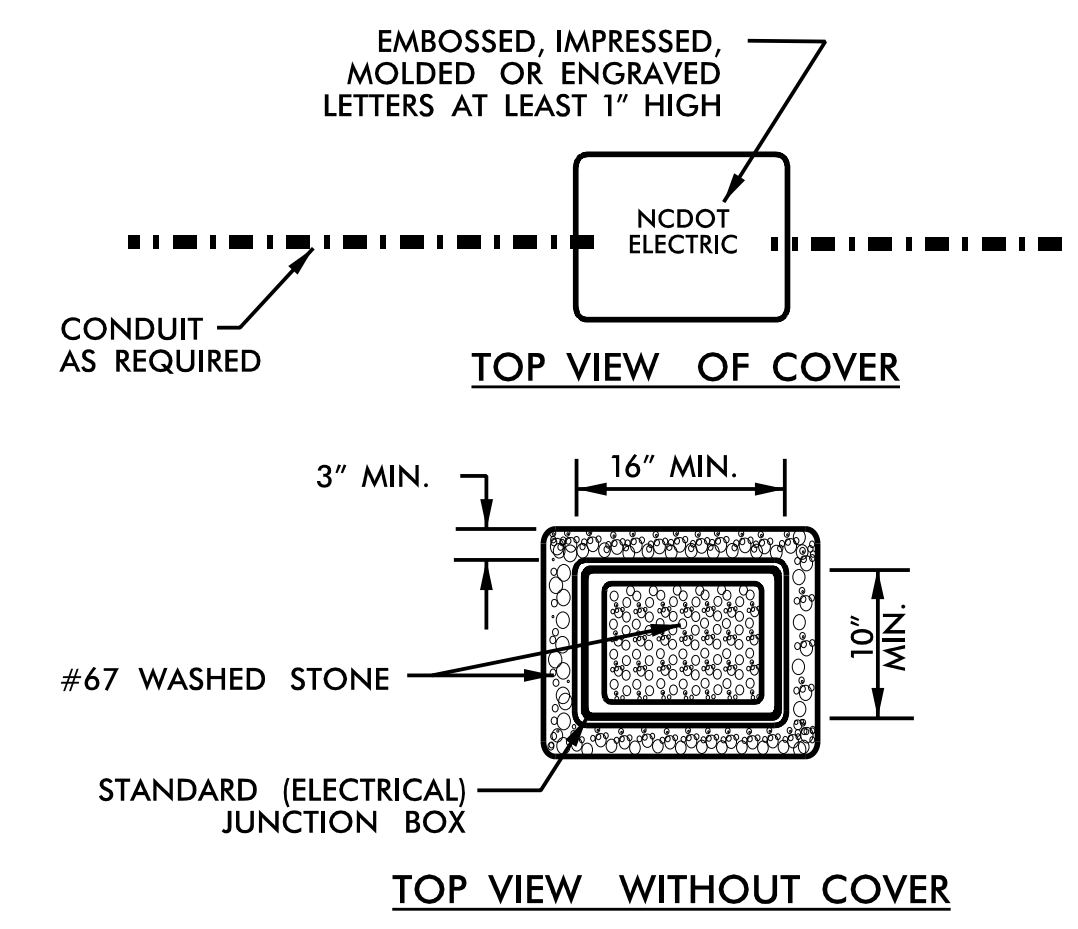
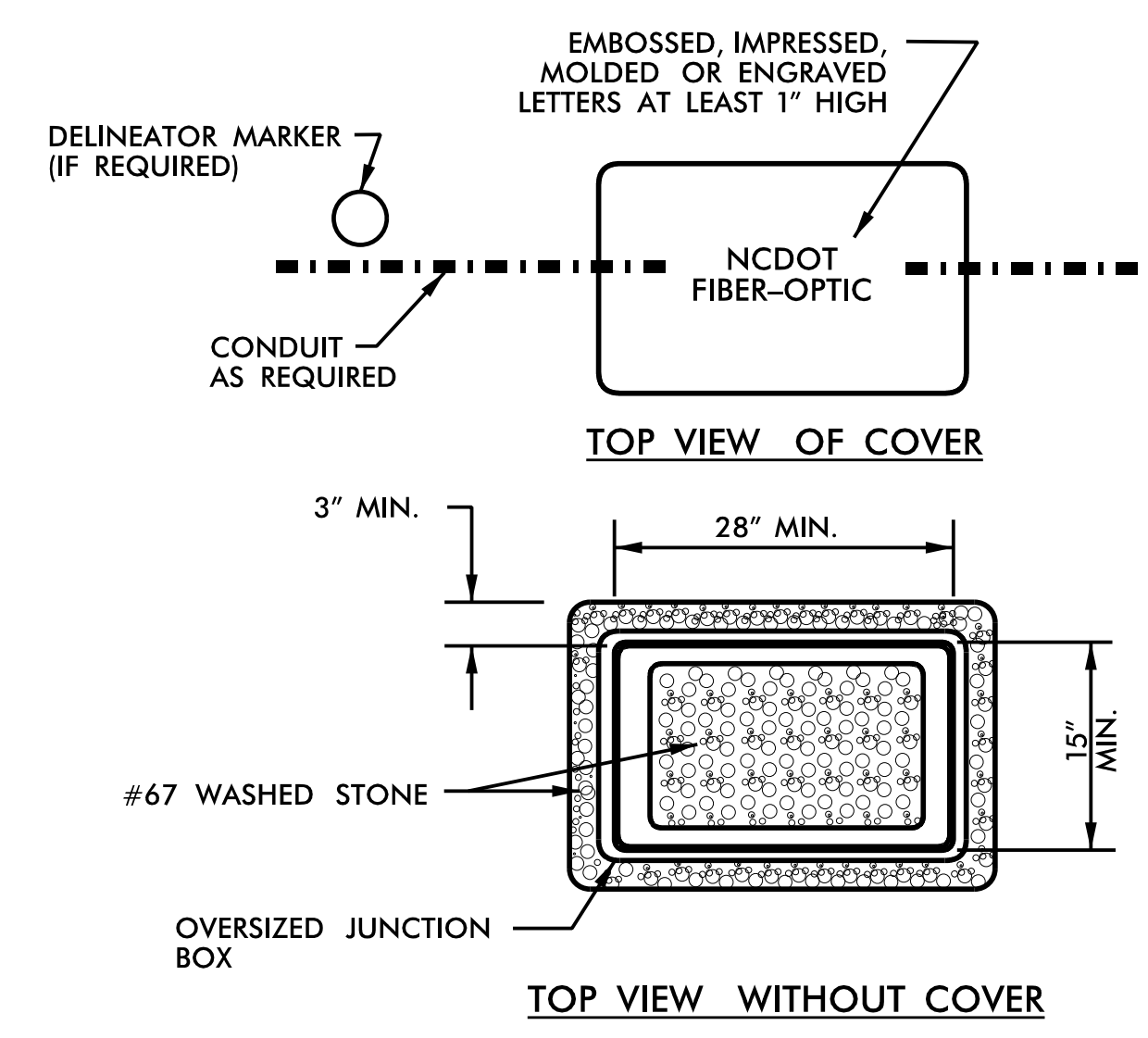


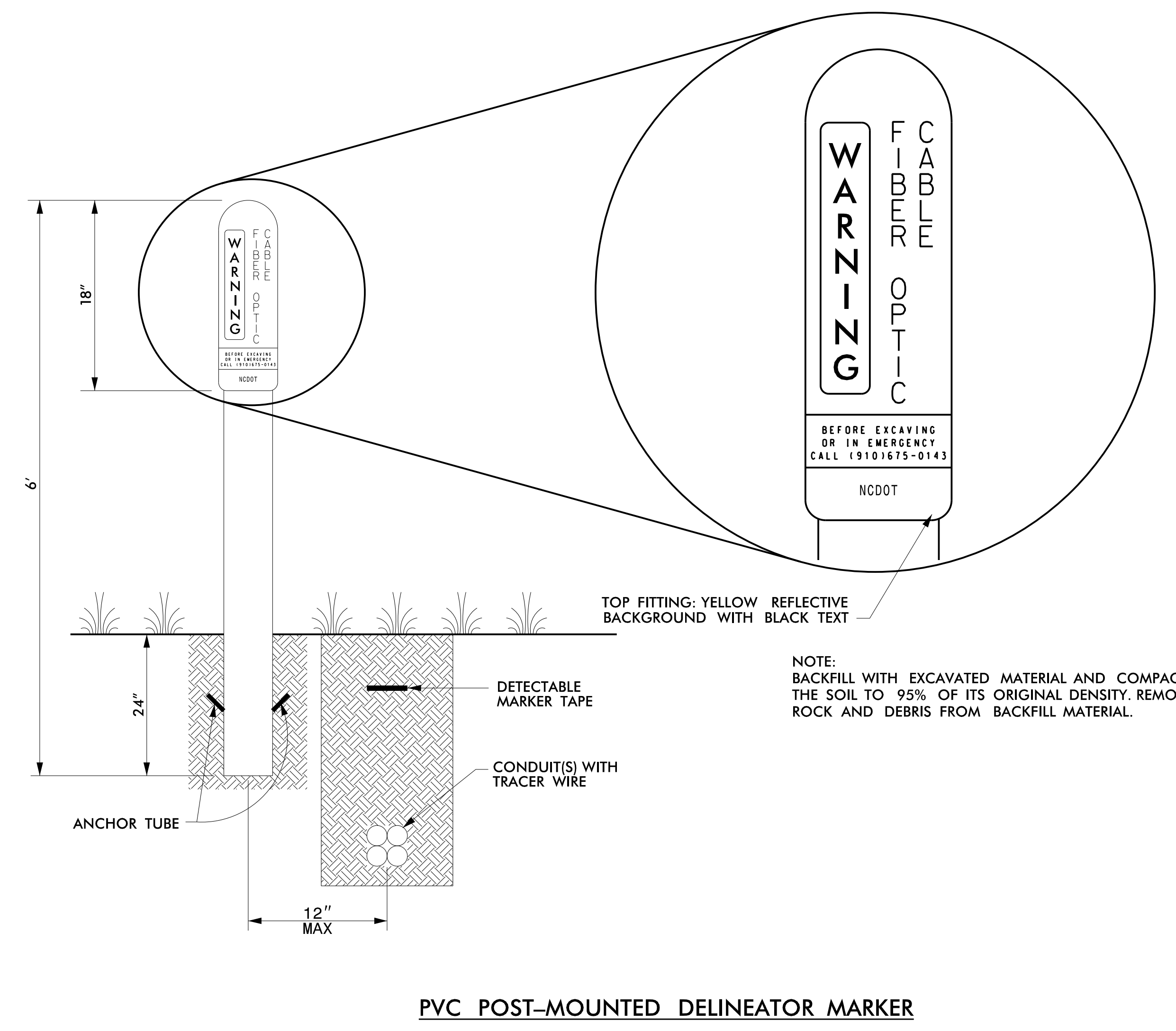
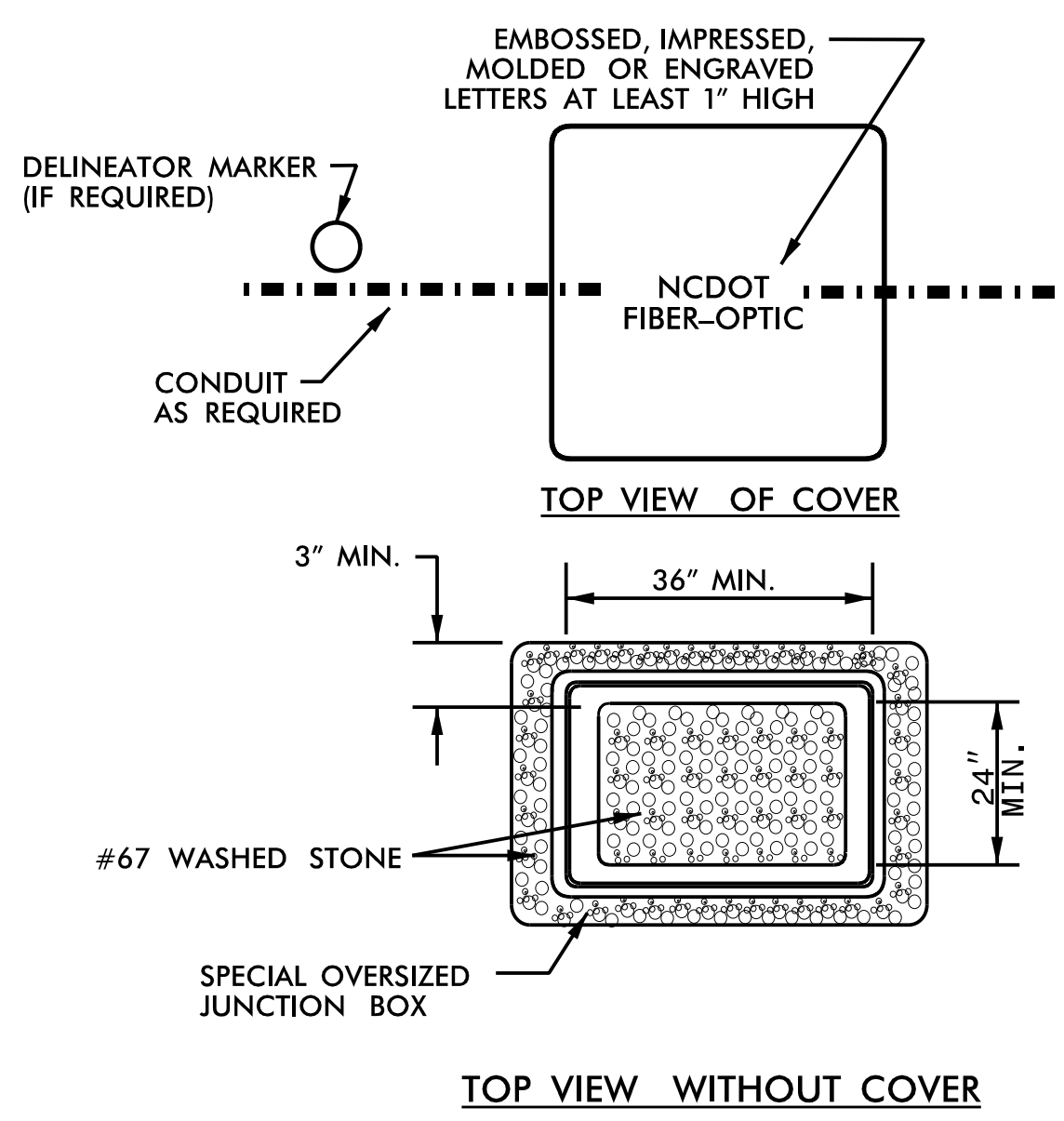
**STANDARD (ELECTRICAL)
JUNCTION BOX**



**OVERSIZED HEAVY DUTY
JUNCTION BOX**



**SPECIAL OVERSIZED HEAVY DUTY
JUNCTION BOX**



PVC POST-MOUNTED DELINEATOR MARKER

**DOCUMENT NOT CONSIDERED FINAL
UNLESS ALL SIGNATURES COMPLETED**

HNTB HNTB NORTH CAROLINA, P.C.
343 E. Six Forks Road, Suite 200
Raleigh, North Carolina 27609
NC License No: C-1554
(919) 546-8997

	TYPICAL DETAILS		
	Division 3 New Hanover County Wilmington PLAN DATE: July 2023 PREPARED BY: G.D. Berry	REVIEWED BY: J.A. Wagner REVIEWED BY: N.R. Simmons	
SCALE N/A	REVISIONS INIT. DATE	DocuSigned by: Natasha R. Simmons 5/17/2024 SIGNATURE DATE CADD Filename: U6202_SCP-31.dgn	