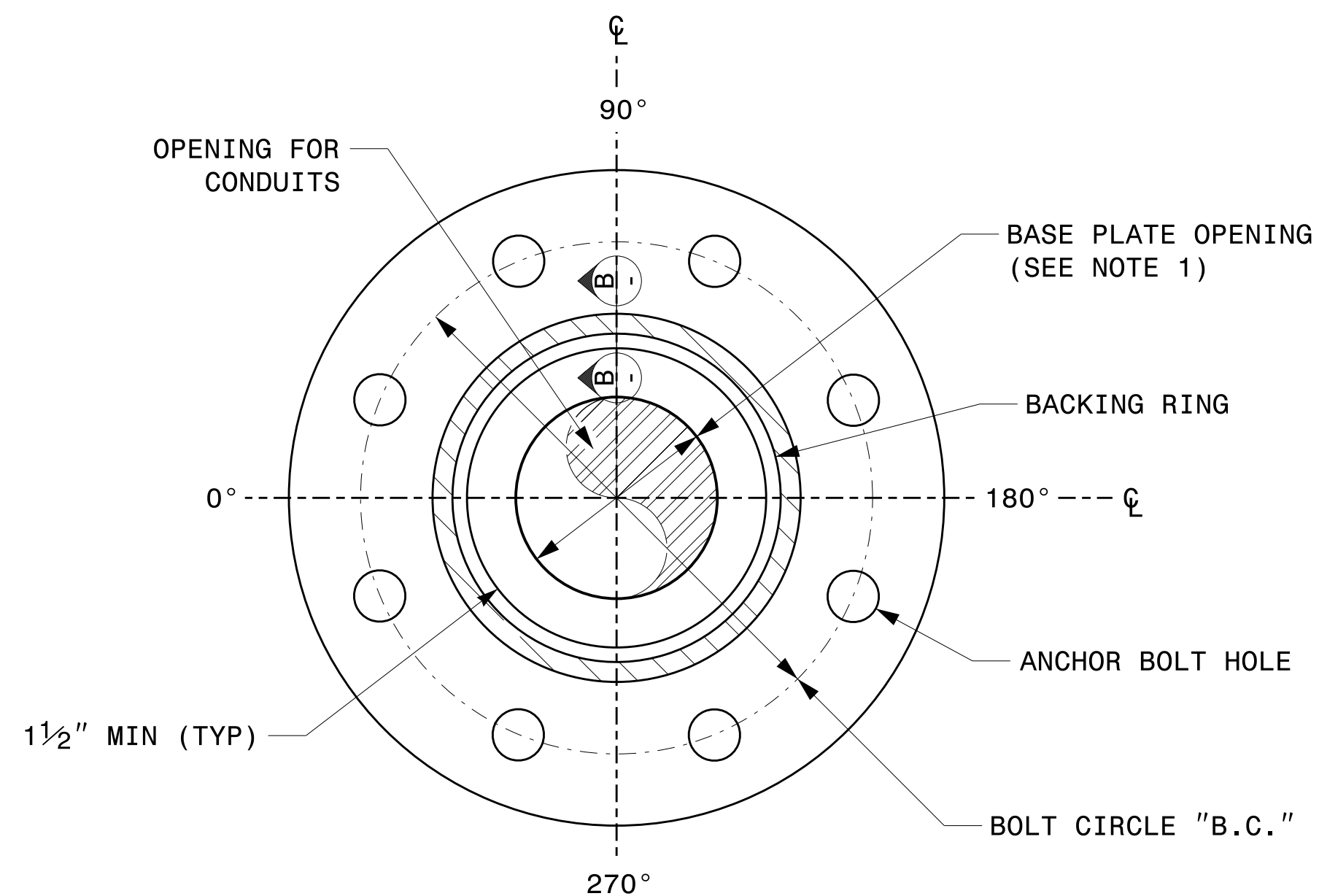
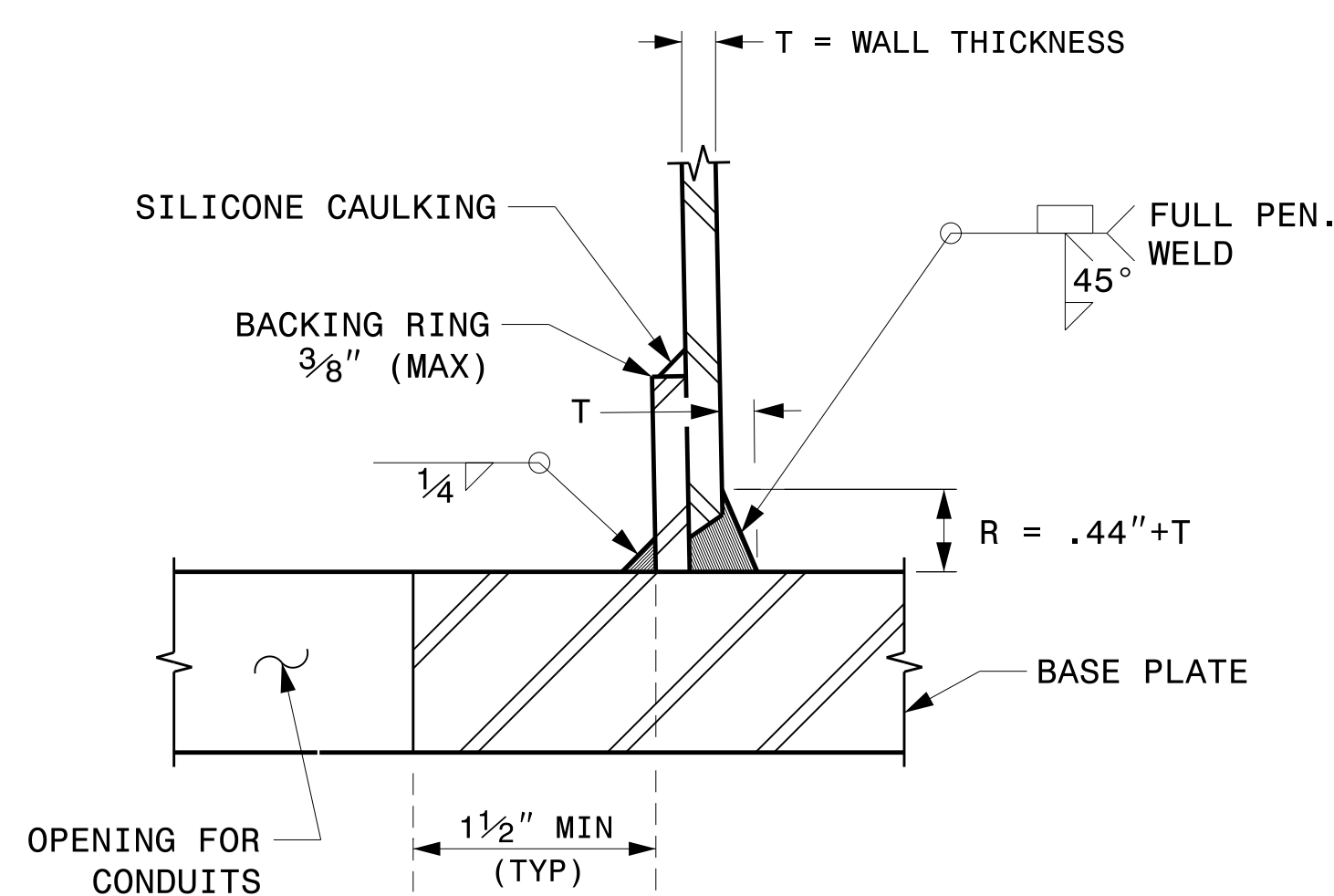


NOTE:

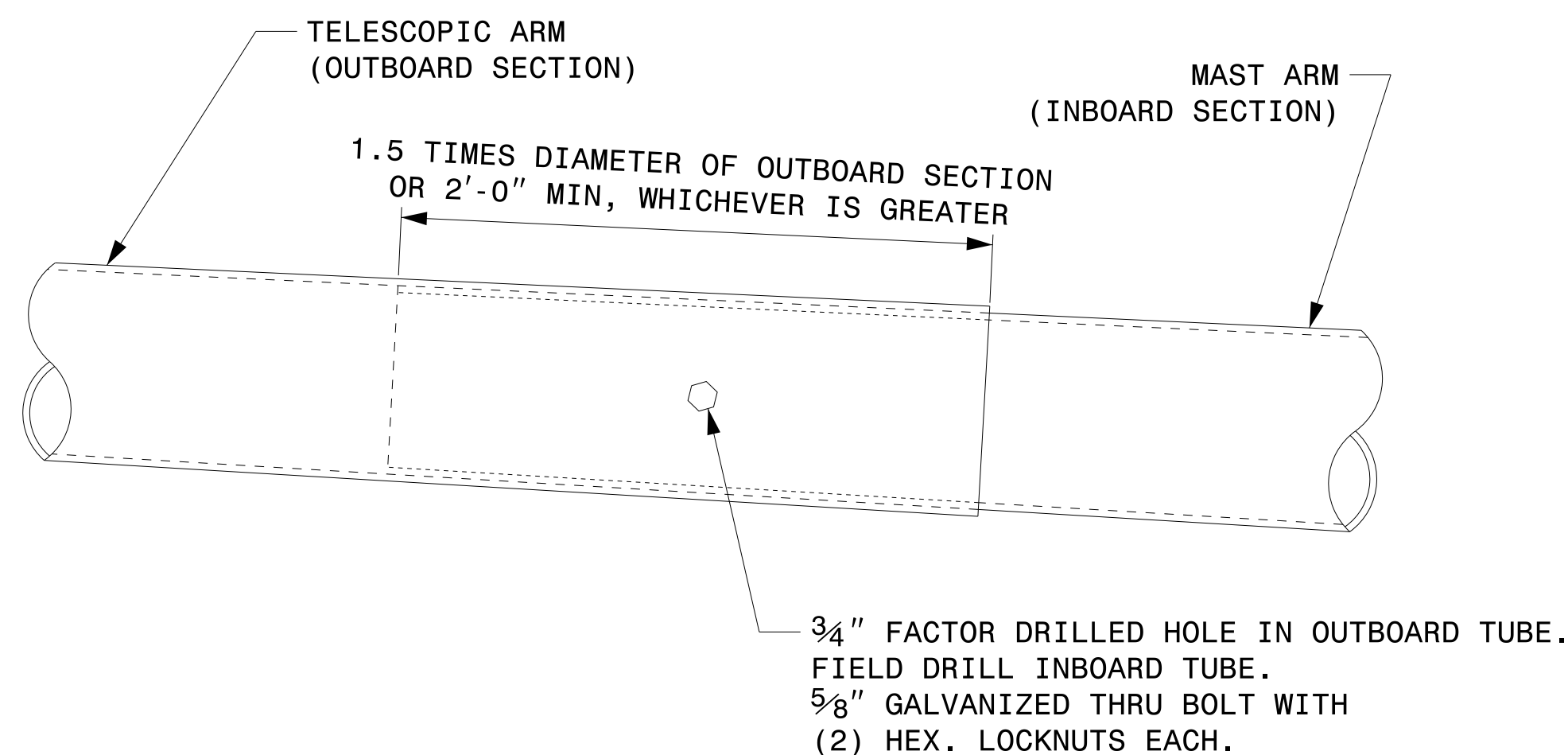
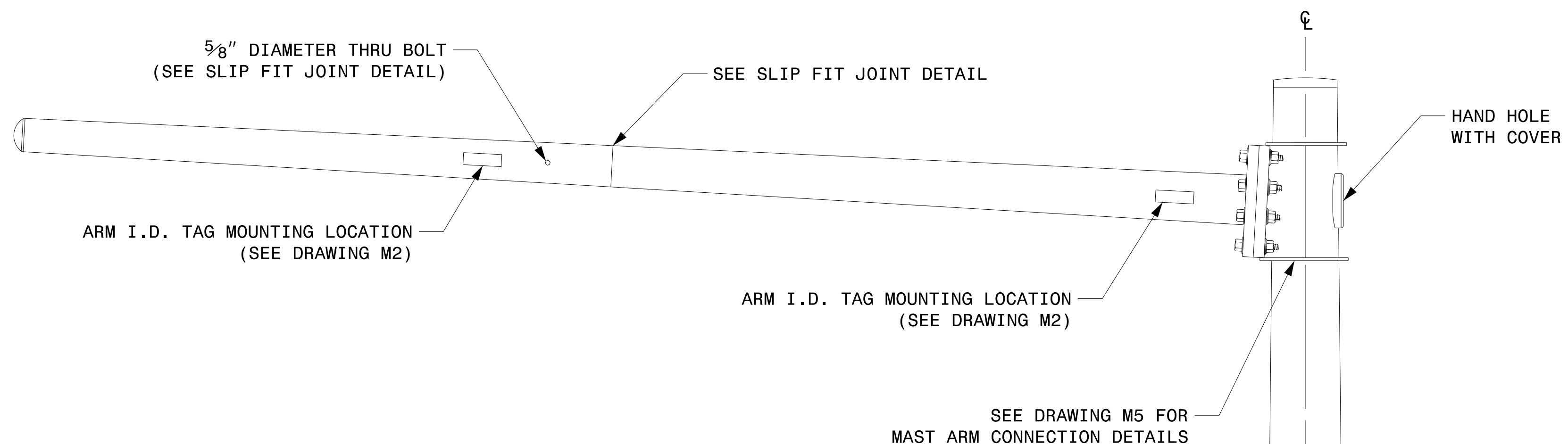
- 1. OPENING IN POLE BASE PLATE SHALL BE EQUAL TO POLE BASE INSIDE DIAMETER MINUS 3 1/2" BUT SHALL NOT BE LESS THAN 8 1/2".



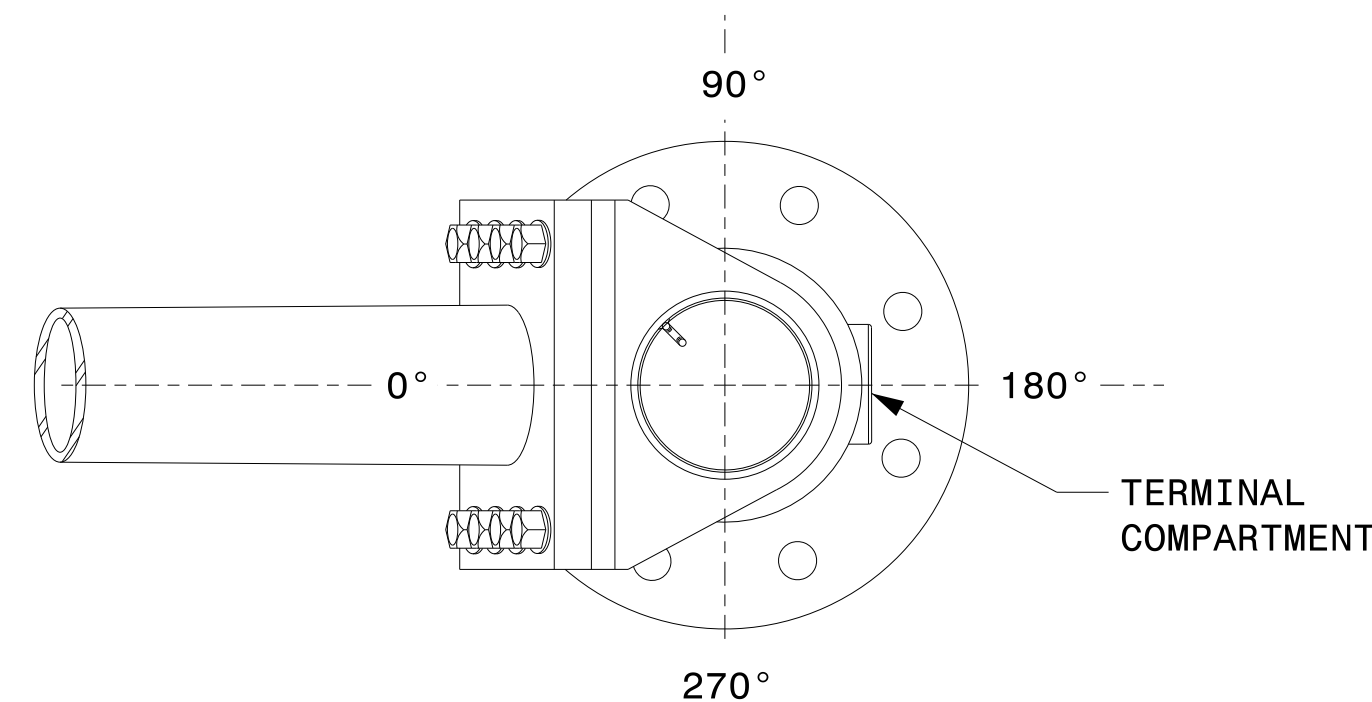
SECTION A-A  
POLE BASE PLATE DETAILS



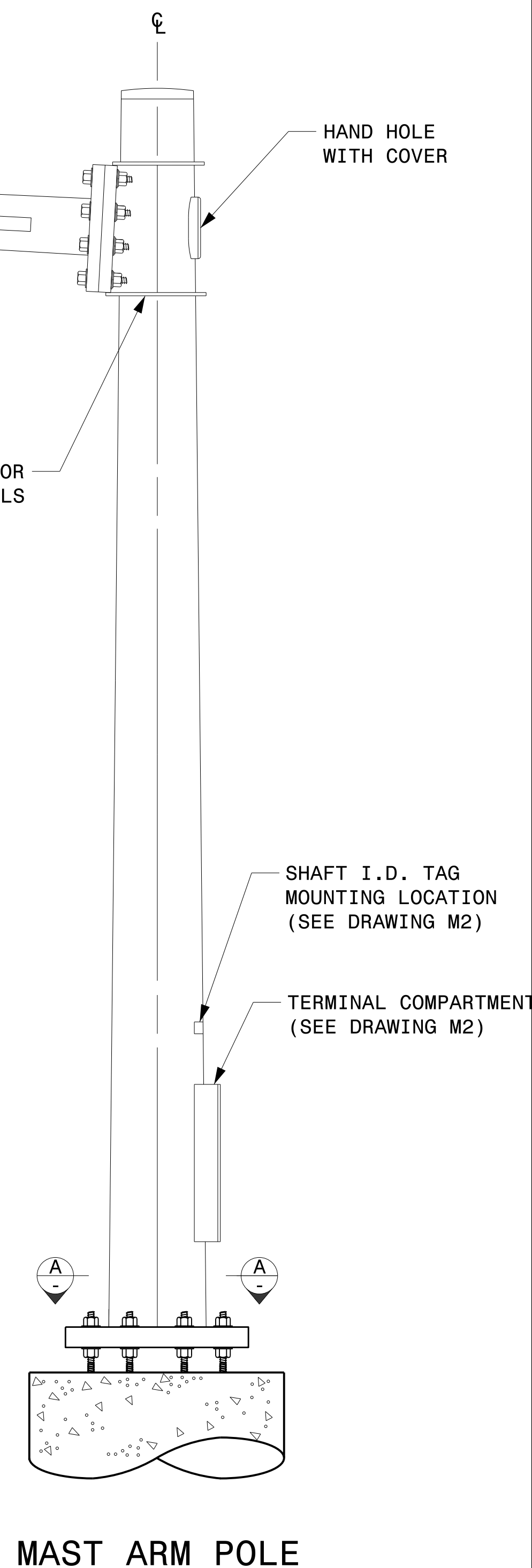
SECTION B-B  
(POLE ATTACHMENT TO BASE PLATE)  
FULL-PENETRATION  
GROOVE WELD DETAIL



SLIP FIT JOINT DETAIL FOR MAST ARM



MAST ARM RADIAL ORIENTATION



MAST ARM POLE

Prepared in the Offices of:

750 N. Greenfield Pkwy, Garner, NC 27529

SCALE: NA  
NONE

Typical Fabrication Details For Mast Arm Poles			
PLAN DATE:	SEPTEMBER 2023	DESIGNED BY:	K.C. DURIGON
PREPARED BY:	K.C. DURIGON	REVIEWED BY:	D.C. SARKAR
REVISIONS	INIT.	DATE	

SEAL

DocuSigned by:  
**Kevin Durigon**  
09/21/2023

03-dt-2023-10-31  
S:\SSS\0415\Sig.M4\15\Sig.M4\15\Sig.M4 Str. Fabrication Details-Mast Arm Poles.dgn  
Kedar Durigon

Fabrication Details – Mast Arm Poles