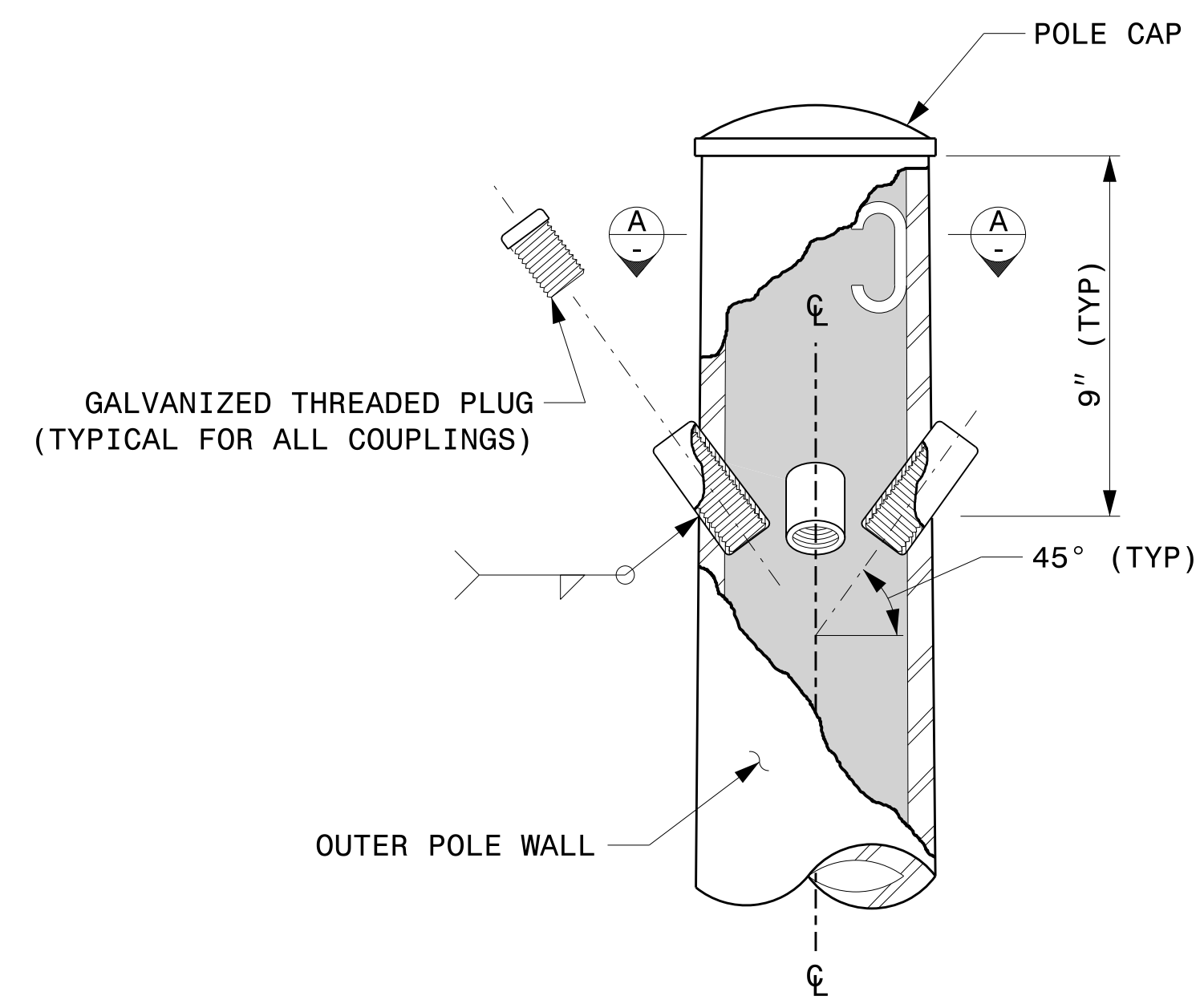
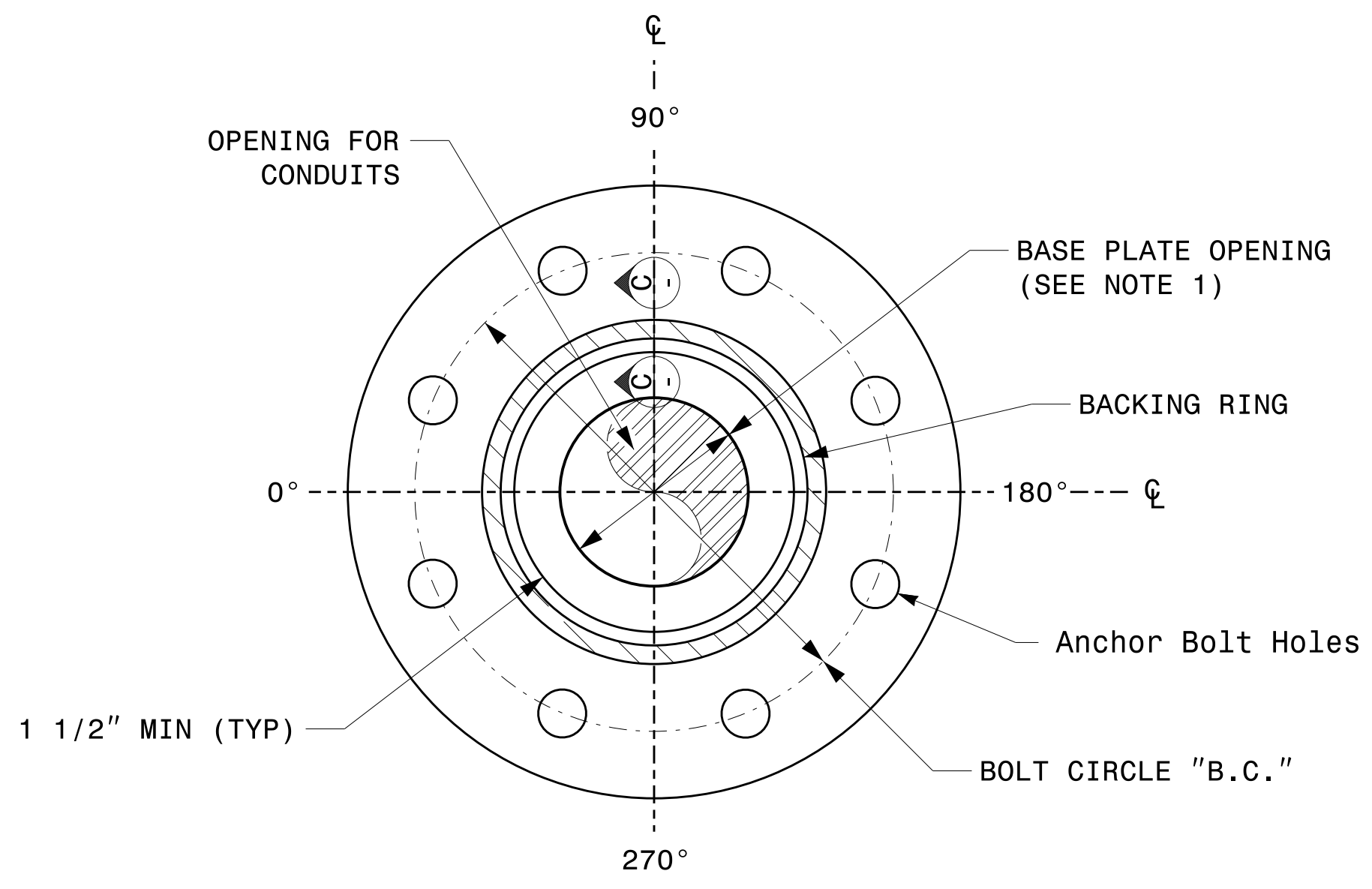


NOTE:

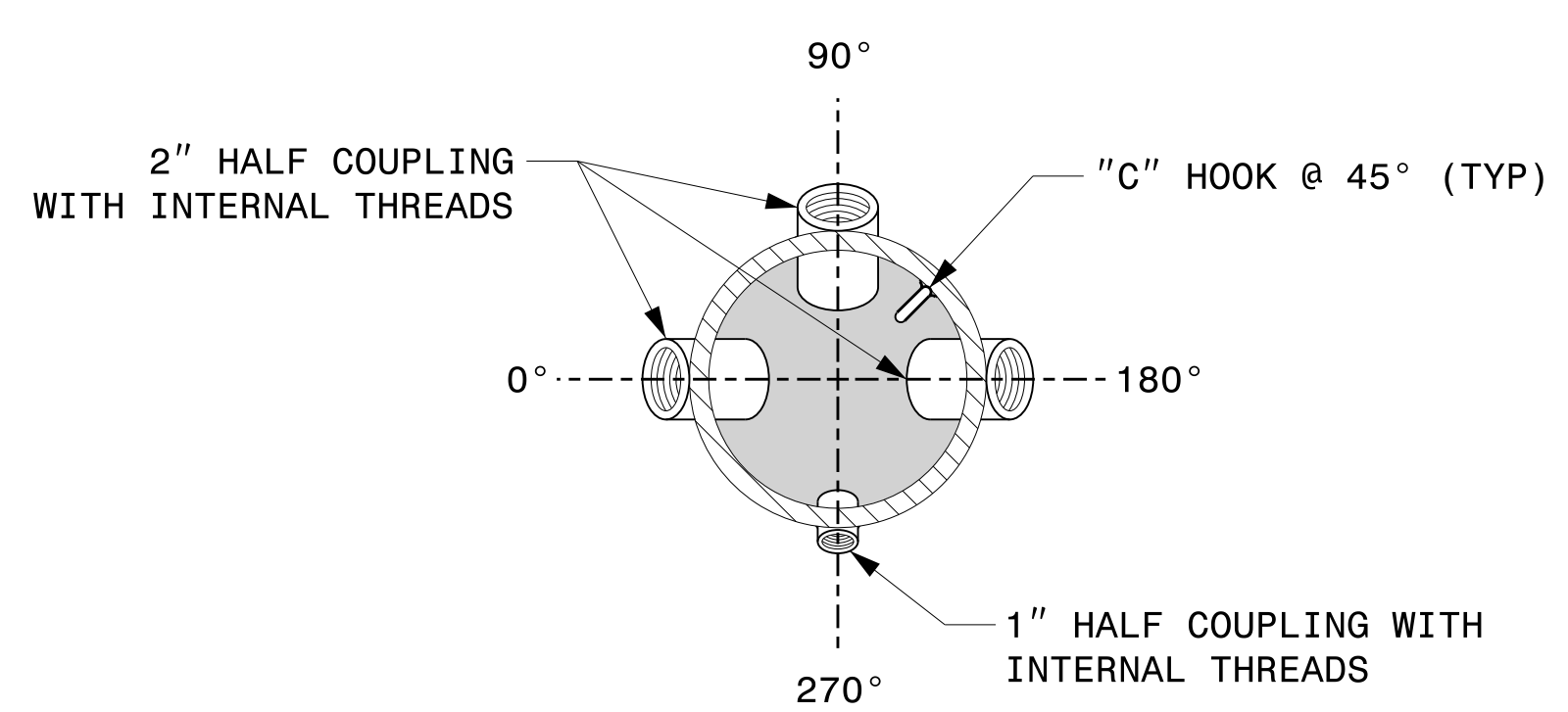
1. OPENING IN POLE BASE PLATE SHALL BE EQUAL TO POLE BASE INSIDE DIAMETER MINUS $3\frac{1}{2}$ " BUT SHALL NOT BE LESS THAN $8\frac{1}{2}$ ".



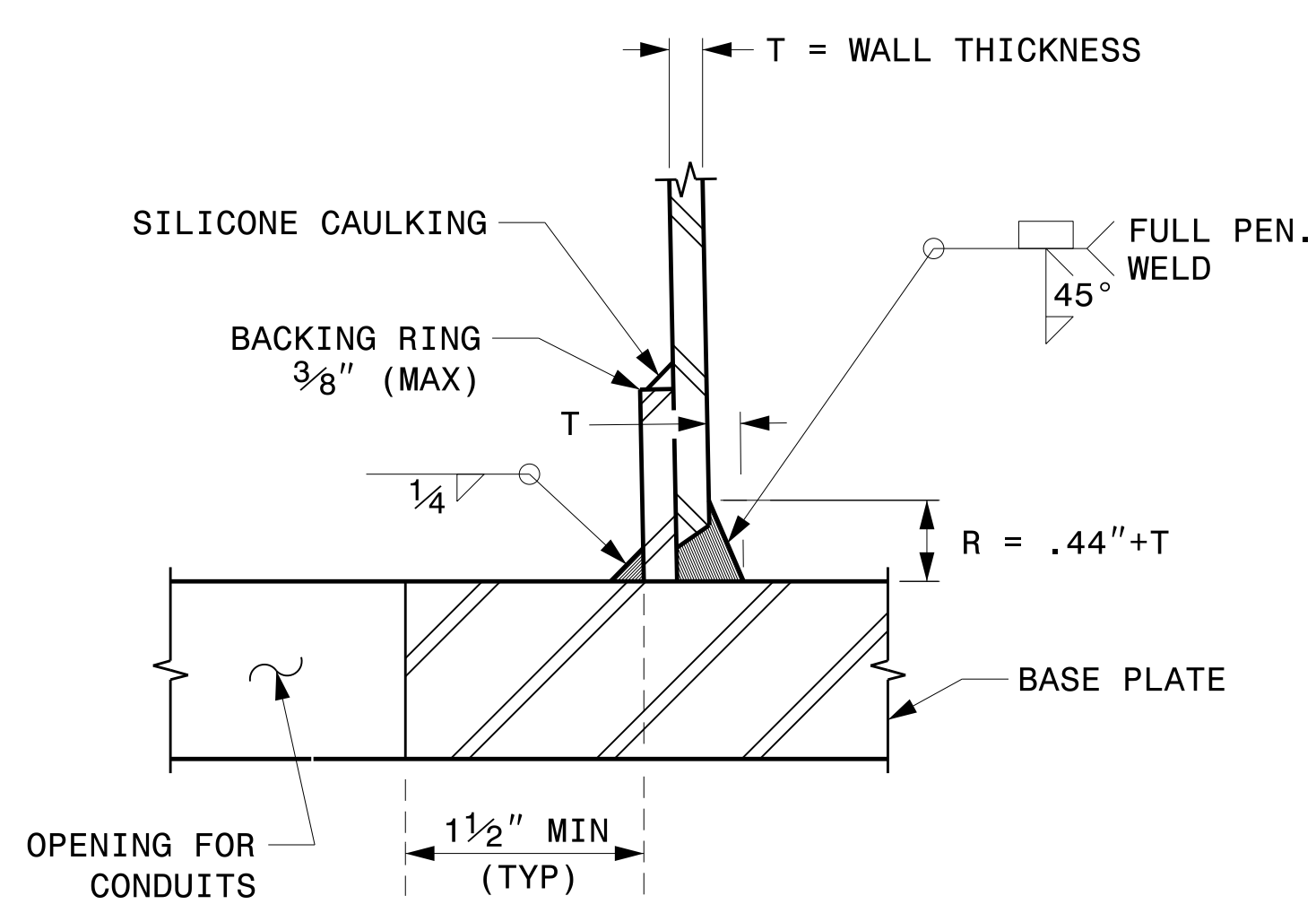
CABLE ENTRANCES AT TOP OF POLE



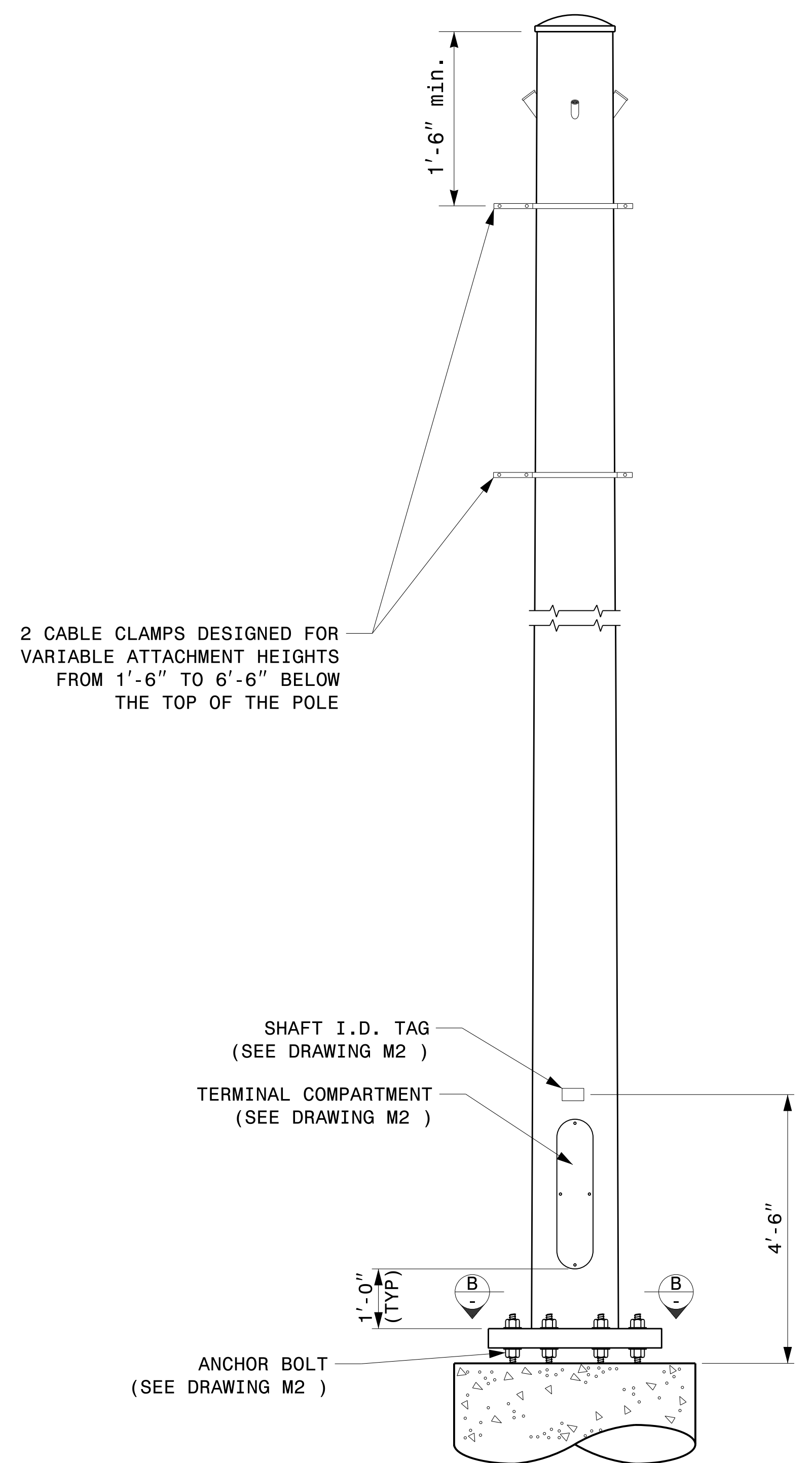
SECTION B-B
POLE BASE PLATE DETAILS
(8 AND 12 BOLT PATTERN)



SECTION A-A
RADIAL ORIENTATION OF FACTORY INSTALLED
ACCESSORIES AT TOP OF POLE



SECTION C-C
(POLE ATTACHMENT TO BASE PLATE)
FULL-PENETRATION
GROOVE WELD DETAIL



MONOTUBE STRAIN POLE

08-dt-2023 10:37 S:\ISSUES\15 Signal\Signal Design Section\Structures\Drawings\2024 Merol Pole Std Drawings for LRF\02024 Sig.M3 Str. Fabrication Details-Strain Poles.dgn Kedar Tagon

	Typical Fabrication Details For Strain Poles		SEAL
	PLAN DATE: SEPTEMBER 2023 DESIGNED BY: K.C. DURIGON PREPARED BY: K.C. DURIGON REVIEWED BY: D.C. SARKAR	REVISIONS INIT. DATE	

Fabrication Details – Strain Poles