

MFG _____ MFG. DATE: MM/YY

SHAFT D/T/L/Y _____

ARM-A D/T/L/Y _____

ARM-B D/T/L/Y _____

A.B. DIA./B.C./L/Y _____

NCDOT SIG. INV. NO. _____

NCDOT POLE NO. _____

SHAFT I.D. TAG
(PROVIDE ON SHAFT OF STRAIN POLES AND MAST ARM POLE SHAFT)

MFG _____ MFG. DATE: MM/YY

SECTION D/T/L/Y _____

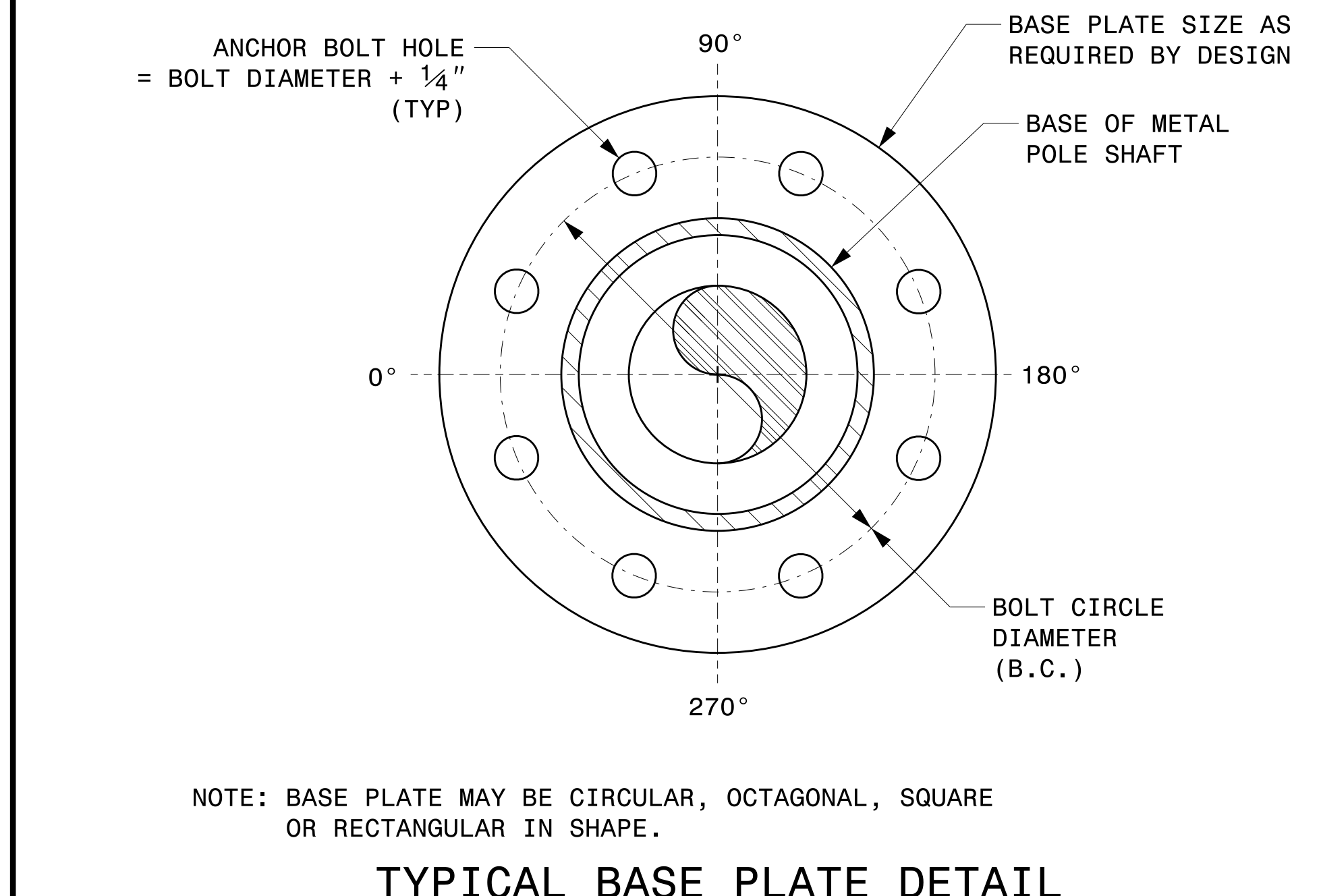
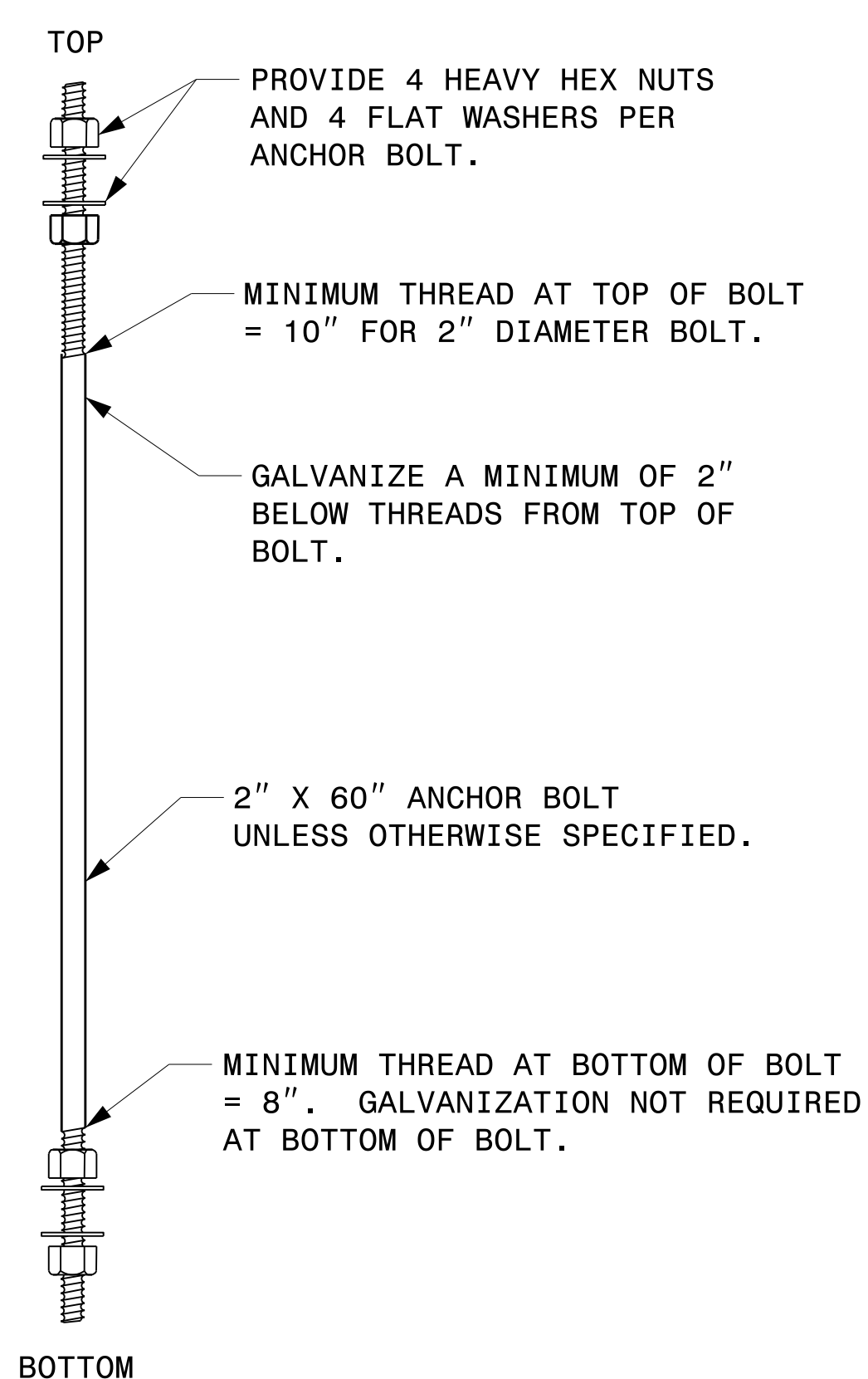
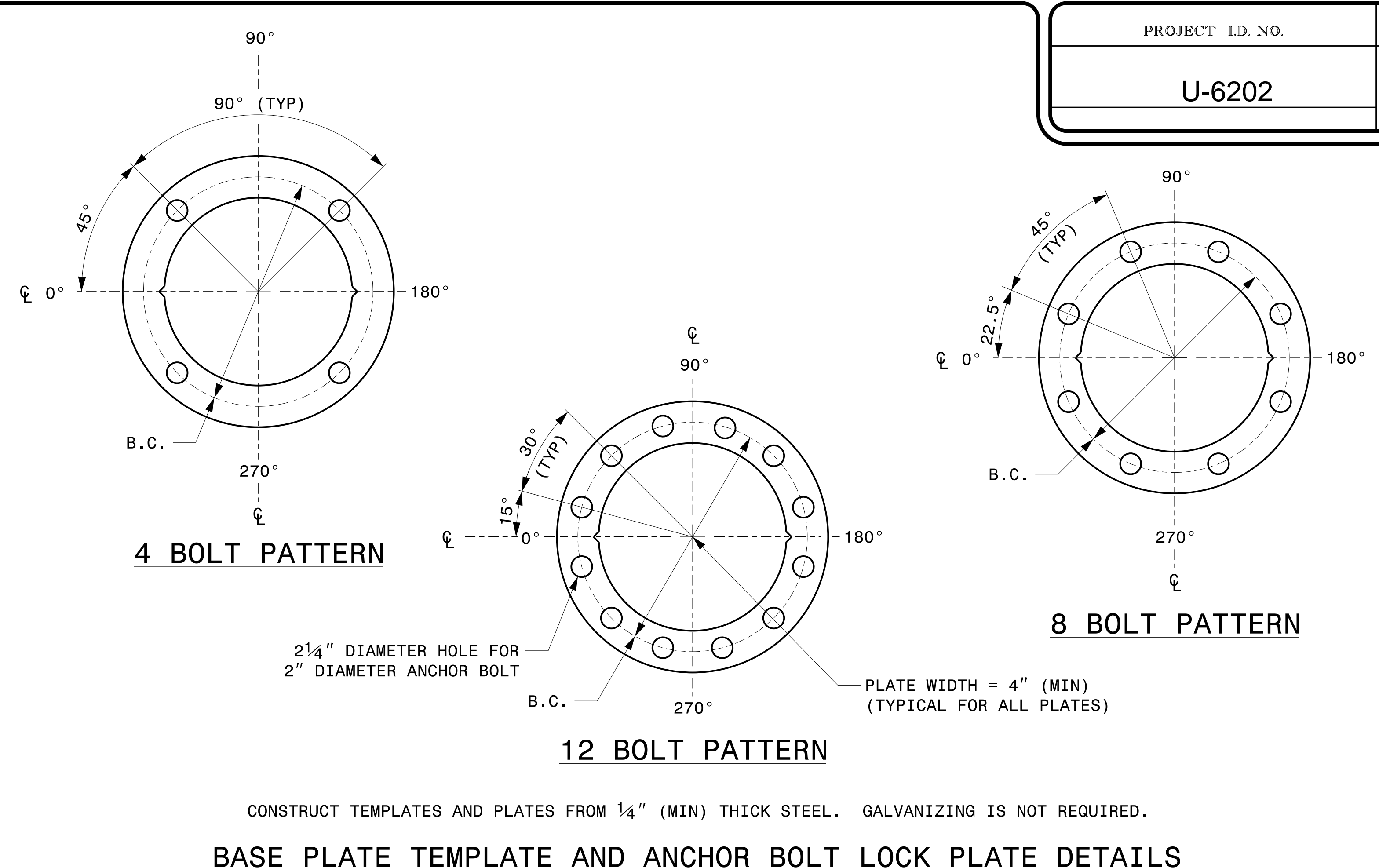
NCDOT SIG. INV. NO. _____

NCDOT POLE NO. _____

ARM I.D. TAG
(PROVIDE ON EACH SECTION OF A MULTI-SECTION MAST ARM)

- NOTES:
1. D = DIAMETER, T = THICKNESS, L = LENGTH, Y = YIELD STRENGTH
 2. A.B. = ANCHOR BOLT
 3. B.C. = BOLT CIRCLE OF ANCHOR BOLTS
 4. IF STANDARD DESIGN, INCLUDE CASE NUMBER IN ADDITION TO POLE NUMBER ON "NCDOT POLE NO." LINE.
 5. SIGNAL INV. NUMBER AND POLE I.D. NUMBER. SEE DRAWING M3 AND M4 FOR MOUNTING POSITIONS OF I.D. TAGS.

IDENTIFICATION TAG DETAILS



Prepared in the Offices of:

750 N. Greenfield Pkwy, Garner, NC 27529

SCALE: NA

NONE

Typical Fabrication Details For All Metal Poles

PLAN DATE: SEPTEMBER 2023 DESIGNED BY: C.F. ANDREWS

PREPARED BY: K.C. DURIGON REVIEWED BY: D.C. SARKAR

REVISIONS	INIT.	DATE

SEAL

DocuSigned by: Kevin Durigon

4P23DC79B3784DA

09/21/2023

Fabrication Details – All Metal Poles

04_001_0001_10.dwg S:\155\155\155\Sigs\155\Sigs\155\155\Drawings For LRF\2024\Sigs\M2_Sig.M2_Sig. Fabrication Details-411_Poles.dgn Kedar.Figon