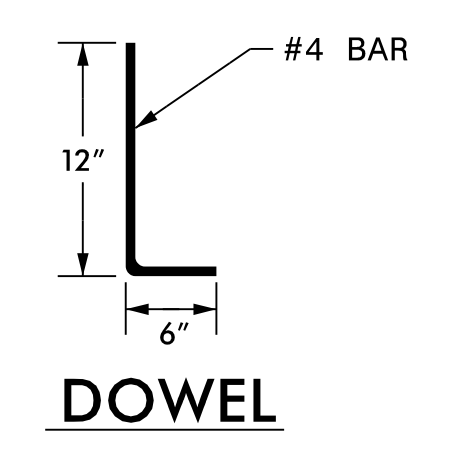
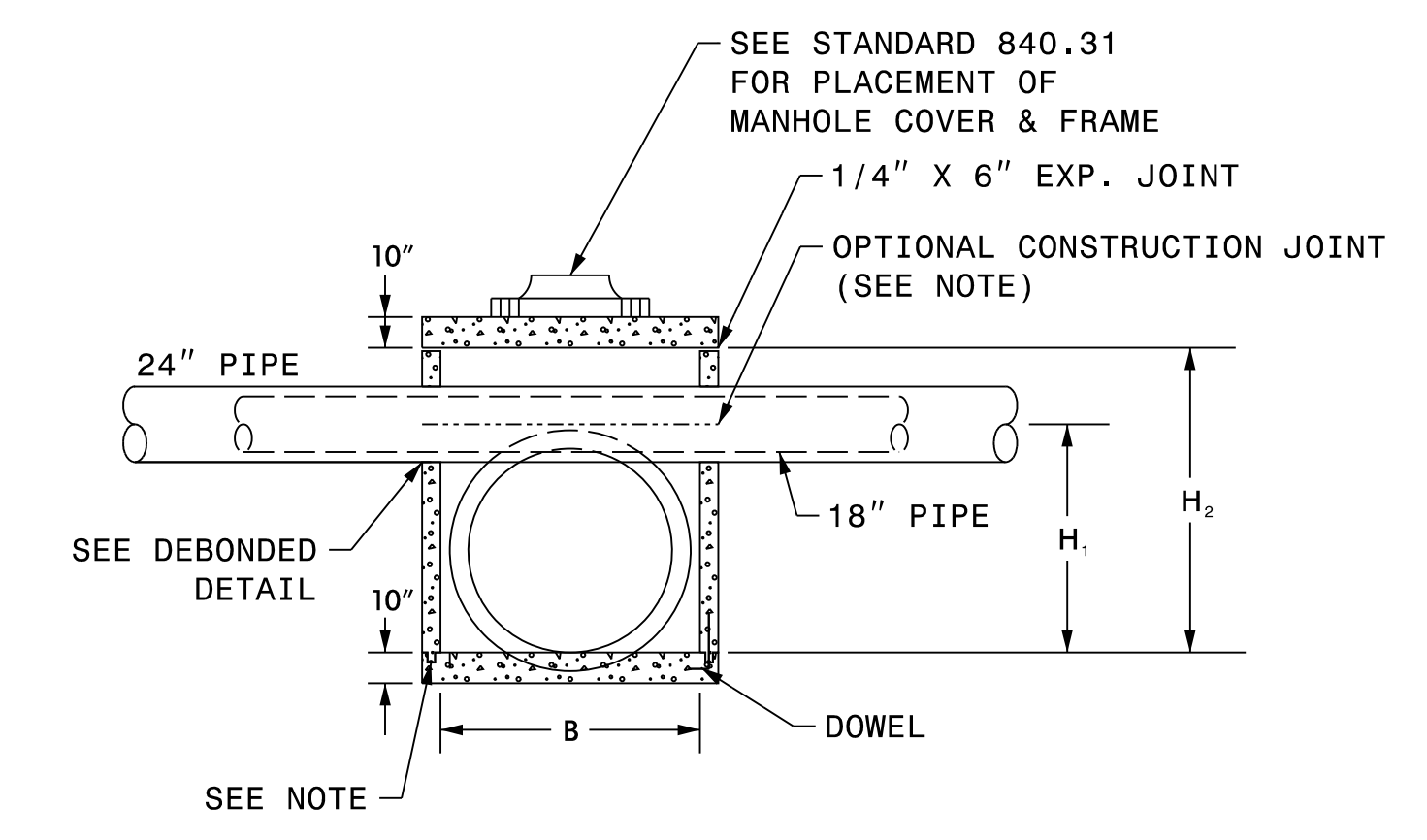
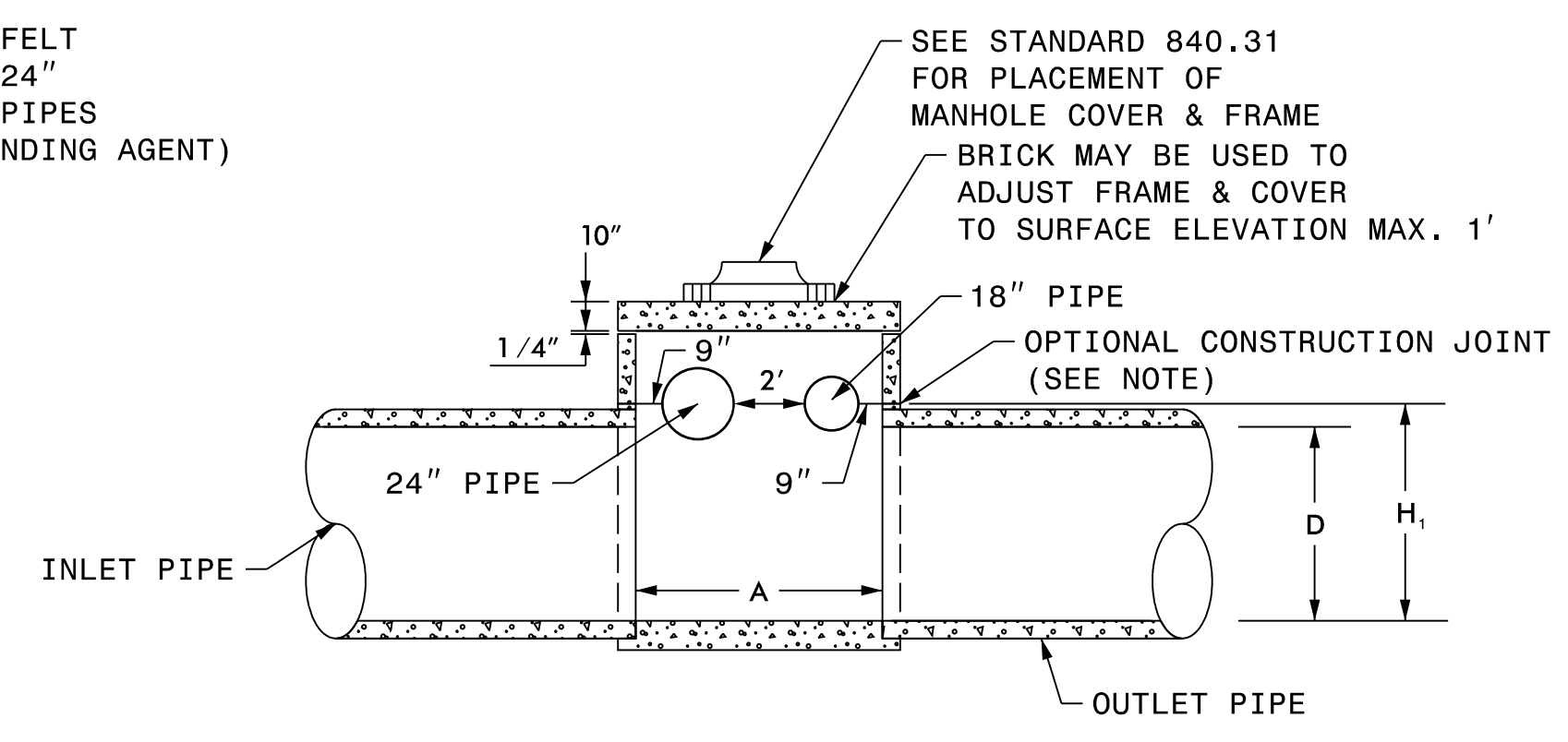
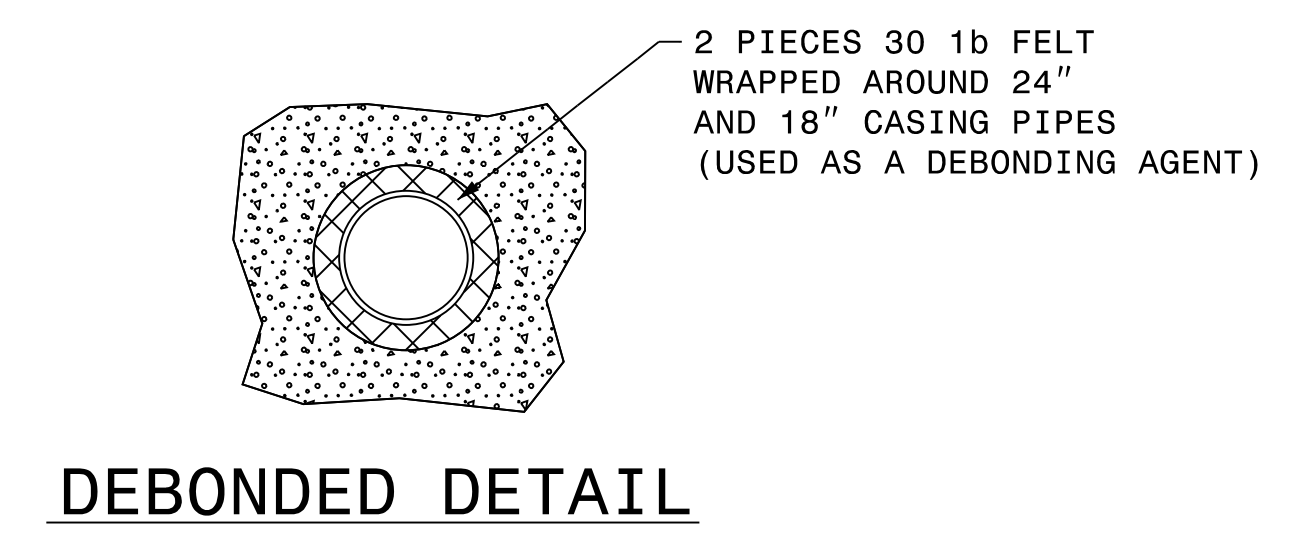
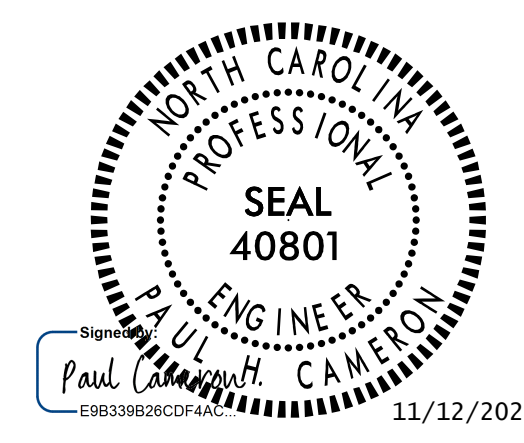


- GENERAL NOTES:**
1. CHAMFER ALL EXPOSED CORNERS 1"
 2. USE CLASS "B" CONCRETE THROUGHOUT
 3. OPTIONAL CONSTRUCTION - MONOLITHIC POUR, 2" KEYWAY, OR #4 BAR DOWELS AT 12" CENTERS AS DIRECTED BY THE ENGINEER
 4. USE FORMS TO CONSTRUCT THE BOTTOM SLAB
 5. IF REINFORCED CONCRETE PIPE IS SET IN BASE SLAB OF BOX, ADD TO BASE AS SHOWN ON STANDARD NO. 840.00
 6. REFER TO R.S.D.N. 840.31 FOR PLACEMENT OF MANHOLE COVER IN JUNCTION BOX
 7. NO SEPARATE PAYMENT WILL BE MADE FOR ENCASEMENT PIPES. THEY ARE TO BE CONSIDERED INCIDENTAL TO THE DRAINAGE STRUCTURE.



DIMENSIONS AND QUANTITIES FOR CONCRETE JUNCTION BOXES															
DIMENSIONS OF BOX AND PIPE					REINFORCEMENT BARS "A"		TOP SLAB (COVER) DIMENSIONS		CUBIC YARDS IN BOX			TOTAL QUANTITIES BOX AND SLABS		DEDUCTIONS FOR ONE PIPE (CU. YDS.)	
PIPE	SPAN	WIDTH	HEIGHT		NO.	LENGTH	E	F	TOP SLAB	BOTTOM SLAB	WALL/ FT. OF HT.	LBS. REINF.	CU YDS. MIN "H"	C.S.	R.C.
D	A	B	H ₁	H ₂											
66"	7' - 1"	7' - 1"	6' - 2"	8' - 6"	32	7' - 10"	8' - 1"	8' - 1"	1.389	1.389	0.518	183	7.45	0.444	0.655



DOCUMENT NOT CONSIDERED FINAL UNLESS ALL SIGNATURES COMPLETED

HNTB HNTB NORTH CAROLINA, P.C.
343 E. Six Forks Road, Suite 200
Raleigh, North Carolina 27609
NC License No: C-1554

CONCRETE JUNCTION BOX WITH 24" PIPE AND 18" PIPE PASSING THRU

ORIGINAL BY: P. CAMERON DATE: FEB. 2024
 MODIFIED BY: _____ DATE: _____
 CHECKED BY: _____ DATE: _____
 FILE SPEC.: _____ DATE: _____