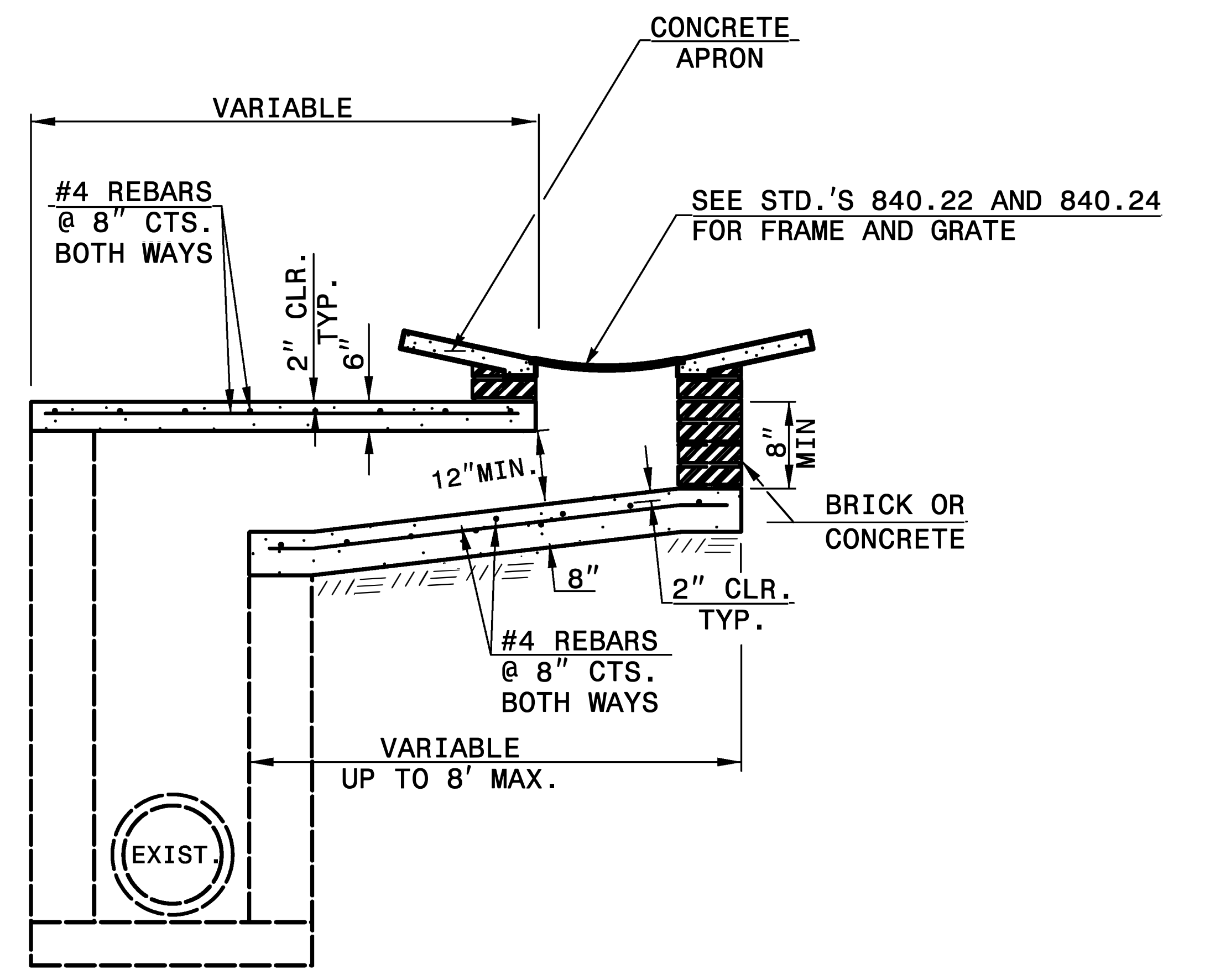


PLAN



SECTION X-X

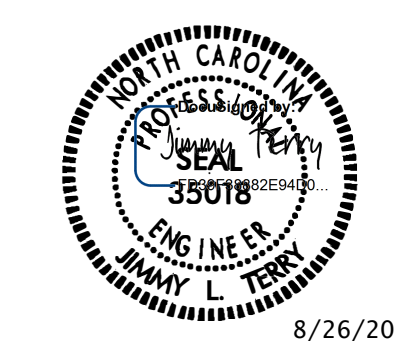
NOTES:

MORTAR JOINTS 1/2" TO 1/4" THICK.
USE CLASS "B" CONCRETE THROUGHOUT.

USE BRICK OR CONCRETE BLOCK WHICH COMPLIES WITH THE REQUIREMENTS OF SECTION 840 OF THE STANDARD SPECIFICATIONS.

CHAMFER ALL EXPOSED CORNERS 1".

DRAWING NOT TO SCALE.



**PROPOSED
OFFSET DROP INLET**

ORIGINAL BY: _____ DATE: _____
 MODIFIED BY: rnbritt DATE: 4/13/15
 CHECKED BY: _____ DATE: _____
 FILE SPEC.: hbritt/englist/hydro/840d06_offset_box.as.dgn

5/24/2024
 User: smelvin