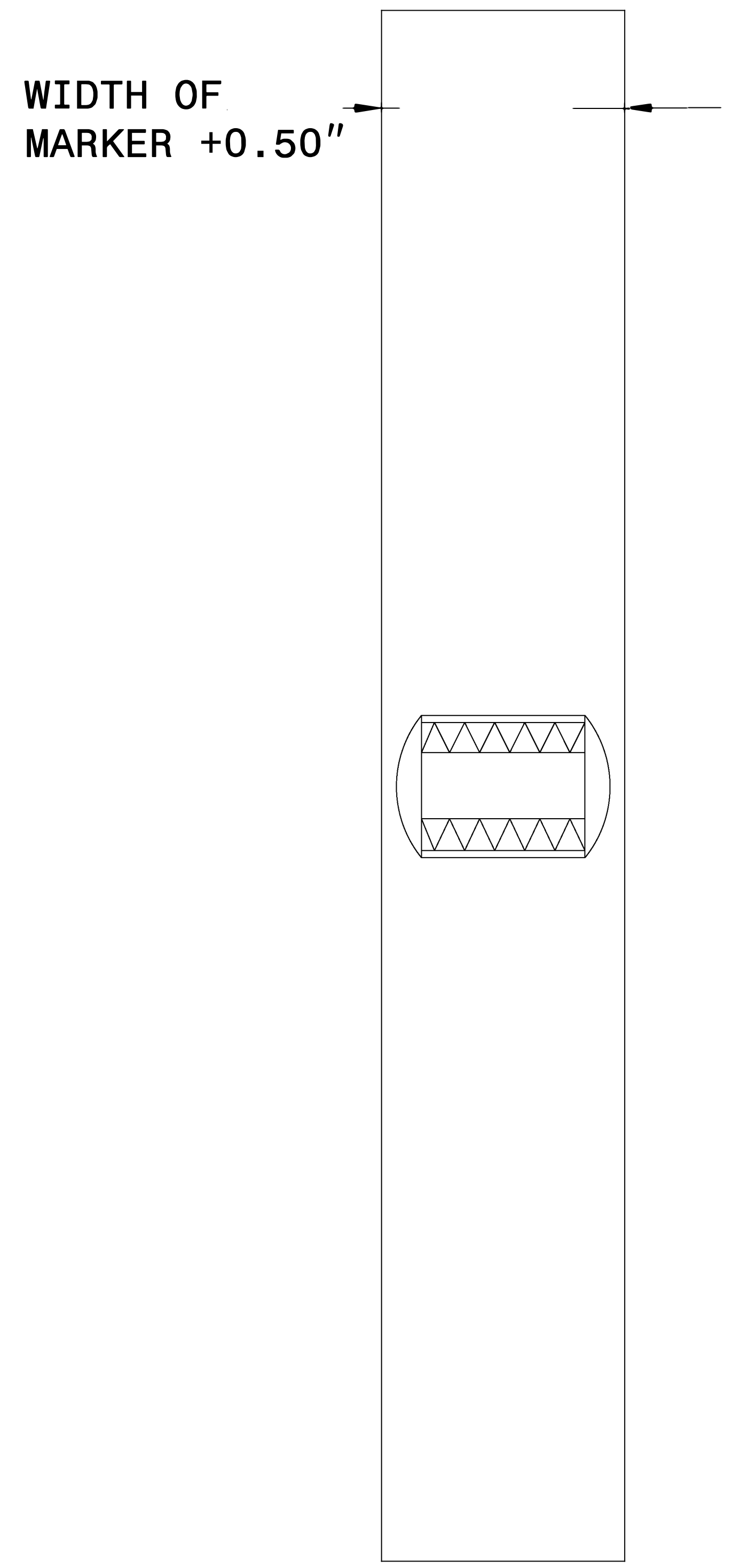
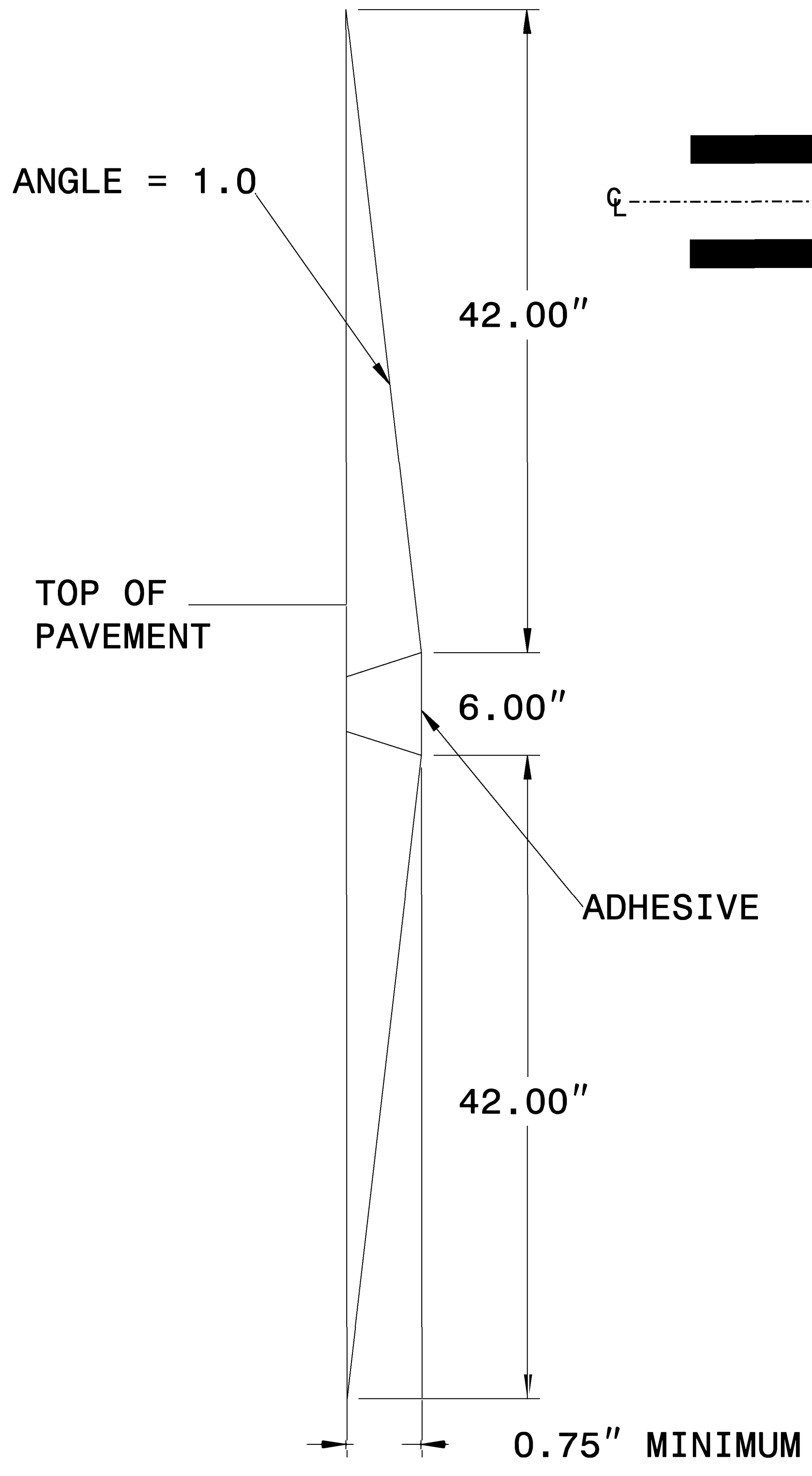


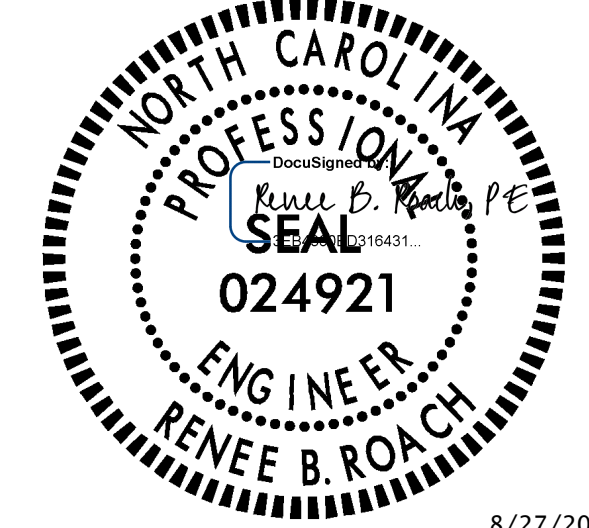
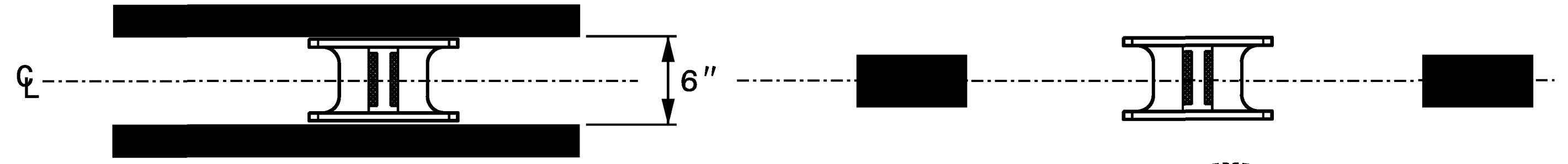
PLAN VIEW



SECTION VIEW



MARKER SPACING



8/27/2024

NOTES:

1. THE PAVEMENT SHALL BE SAW CUT TO THE DIMENSIONS SHOWN.
2. THE SAW CUT AREA MUST BE DRY AND FREE OF DUST, DIRT OR ANY MATERIAL WHICH WILL ADVERSELY AFFECT THE BOND OF THE ADHESIVE.
3. INSTALL MARKERS WITH APPROVED ADHESIVE. ADHESIVE SHOULD NOT BE ALLOWED TO BUILD UP IN FRONT OF MARKER LENS.
4. THE MARKER AND THE ADHESIVE PAD SHALL NOT EXCEED THE TOP OF THE PAVEMENT SURFACE. DEPTH = 0.75" MINIMUM.
5. RECESSED MARKERS INSTALLED ON CONCRETE PAVEMENT SHOULD BE INSTALLED A MINIMUM OF 2" FROM THE PAVEMENT JOINT OR EDGE

CONTRACTS STANDARDS AND DEVELOPMENT UNIT	
Office 919-707-8950 FAX 919-250-4119	
DETAIL OF INLAID RAISED PAVEMENT MARKER	
ORIGINAL BY: <u>rgwatson</u>	DATE: <u>02-06-2024</u>
MODIFIED BY: _____	DATE: _____
CHECKED BY: _____	DATE: _____
FILE SPEC.: _____	