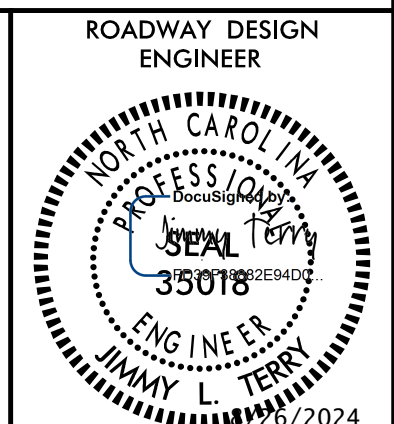
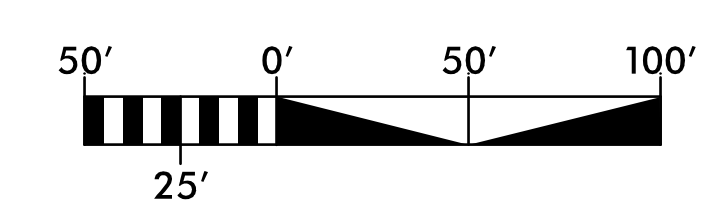
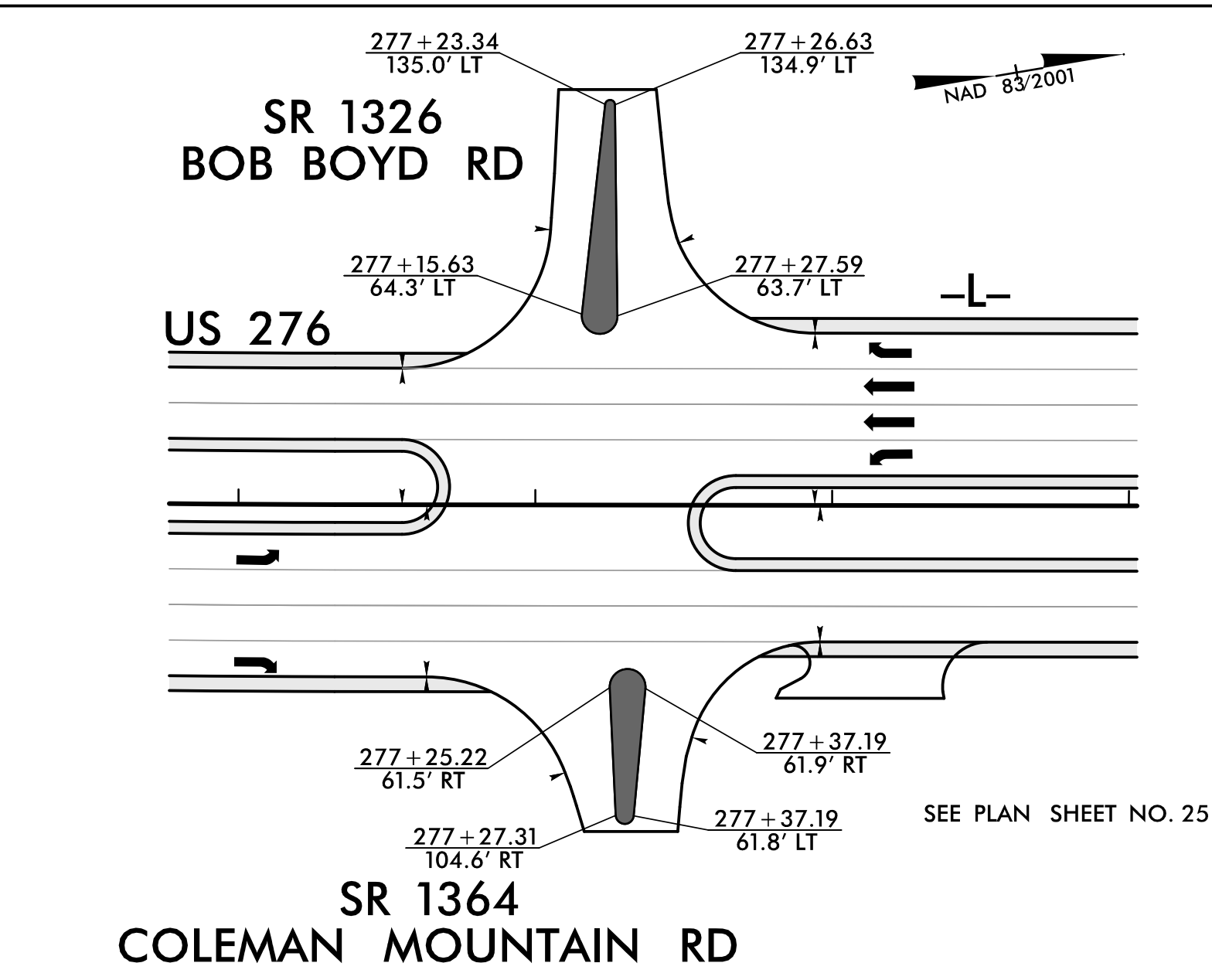
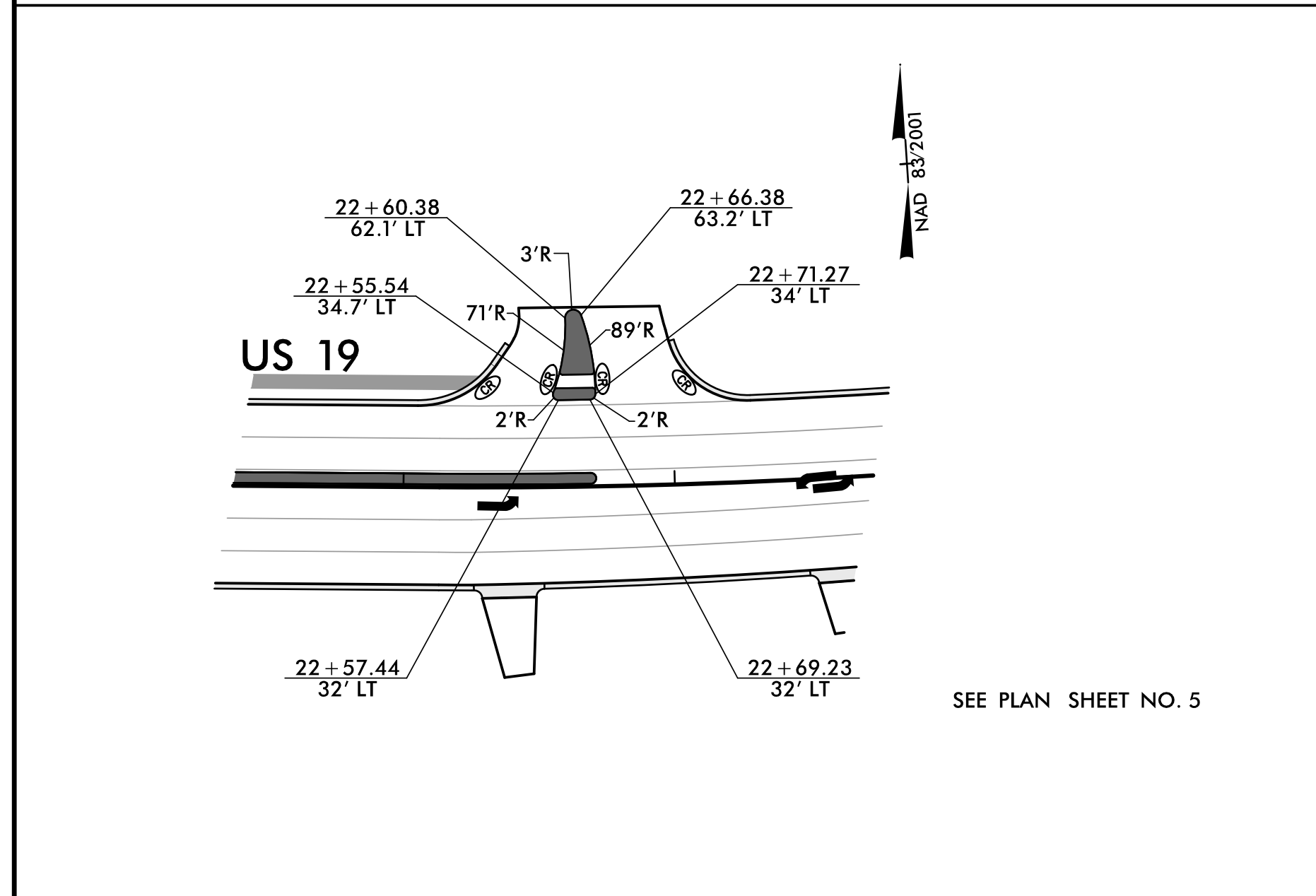
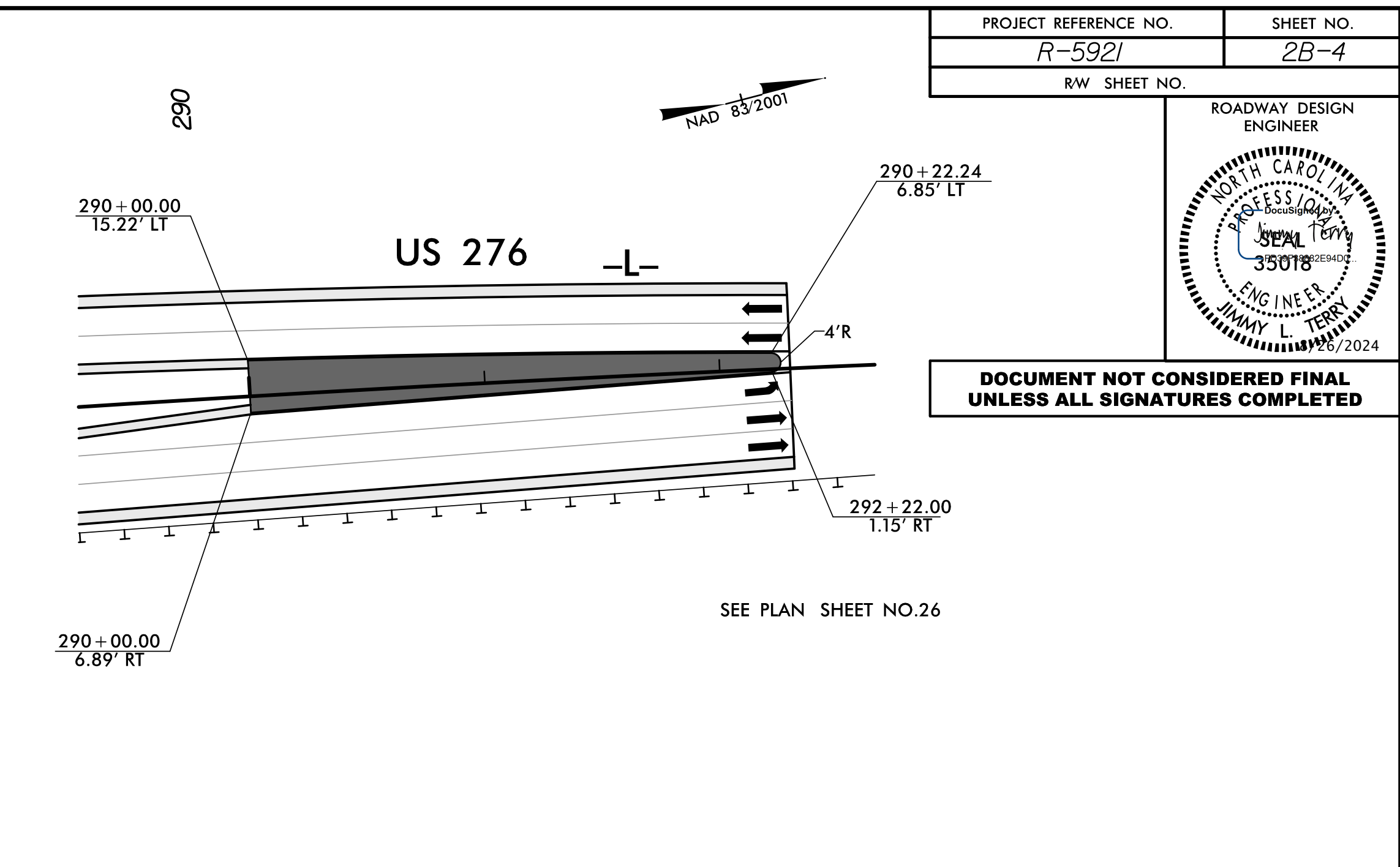
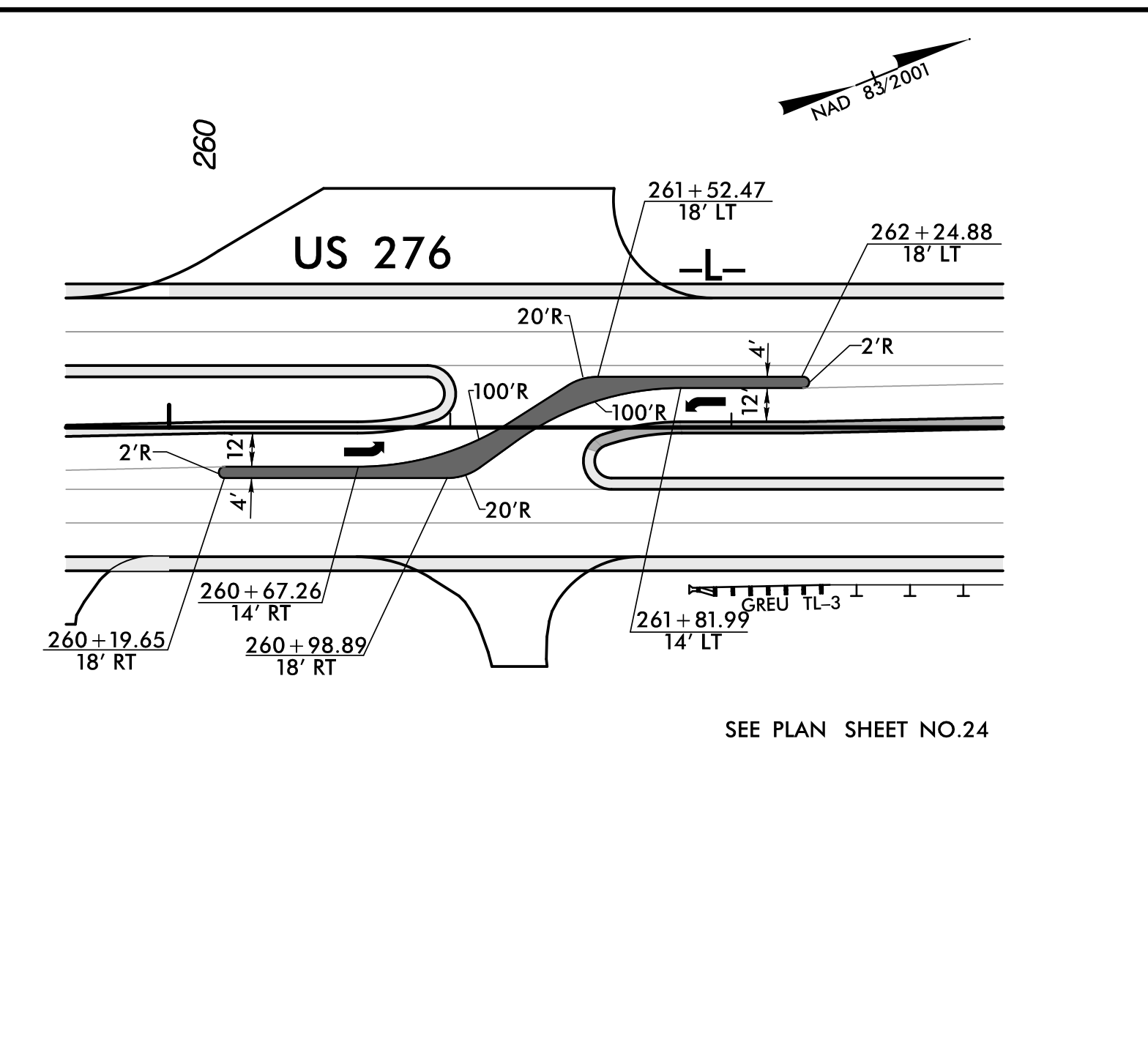
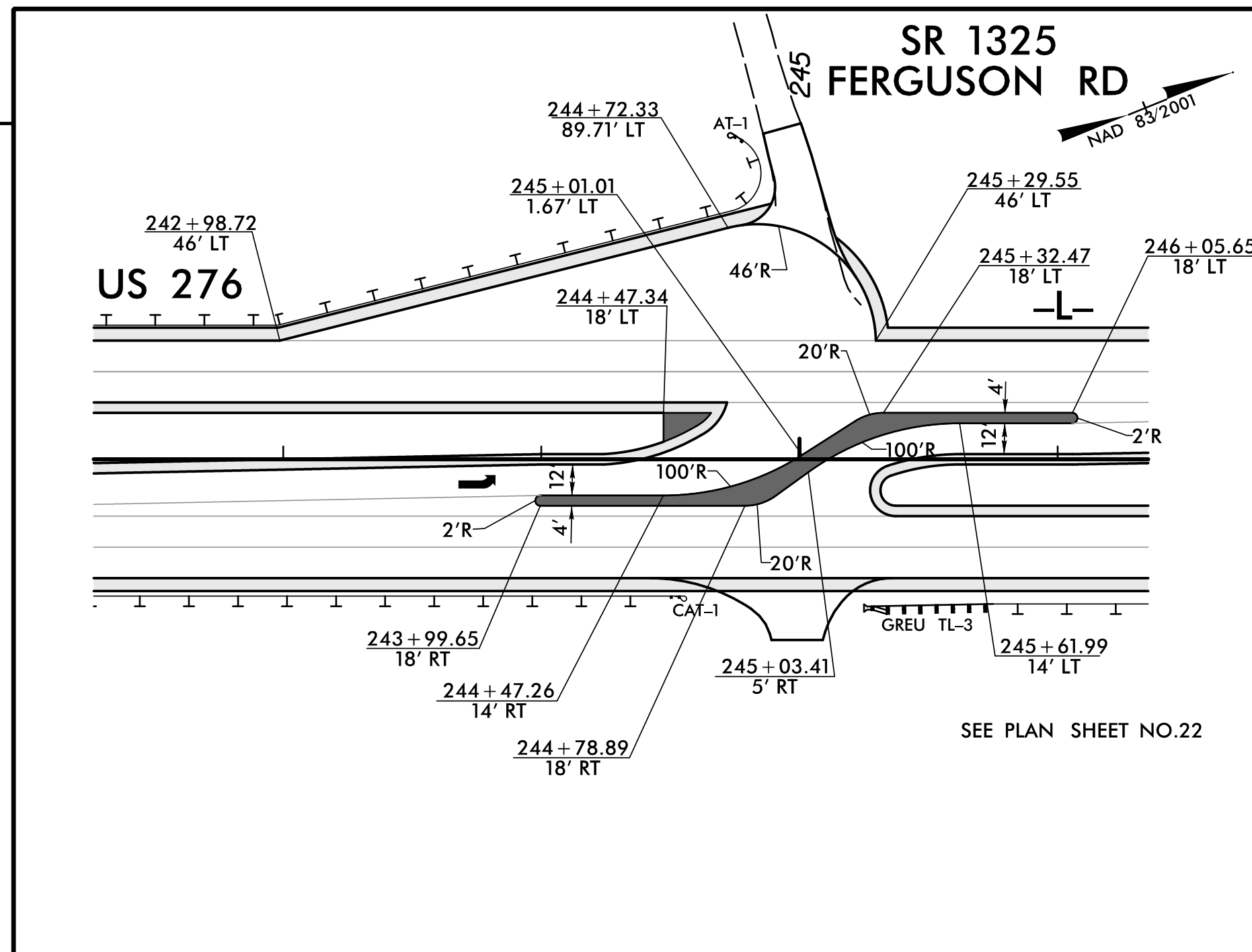


PROJECT REFERENCE NO. <i>R-5921</i>	SHEET NO. <i>2B-4</i>
RW SHEET NO.	



**DOCUMENT NOT CONSIDERED FINAL
UNLESS ALL SIGNATURES COMPLETED**



CONCRETE ISLAND & U-TURN LAYOUTS

6/3/2024 R-5921\Roadway\Proj\R-5921_Rdy_Deta\2B-3 (Island & Uturn) Layouts.dgn