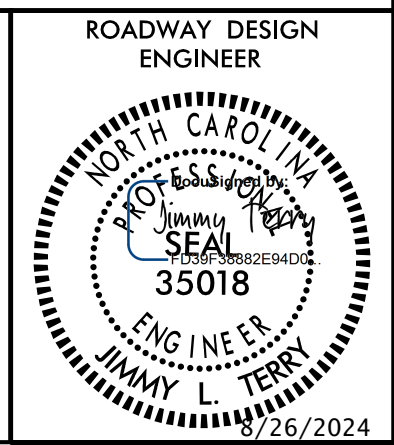
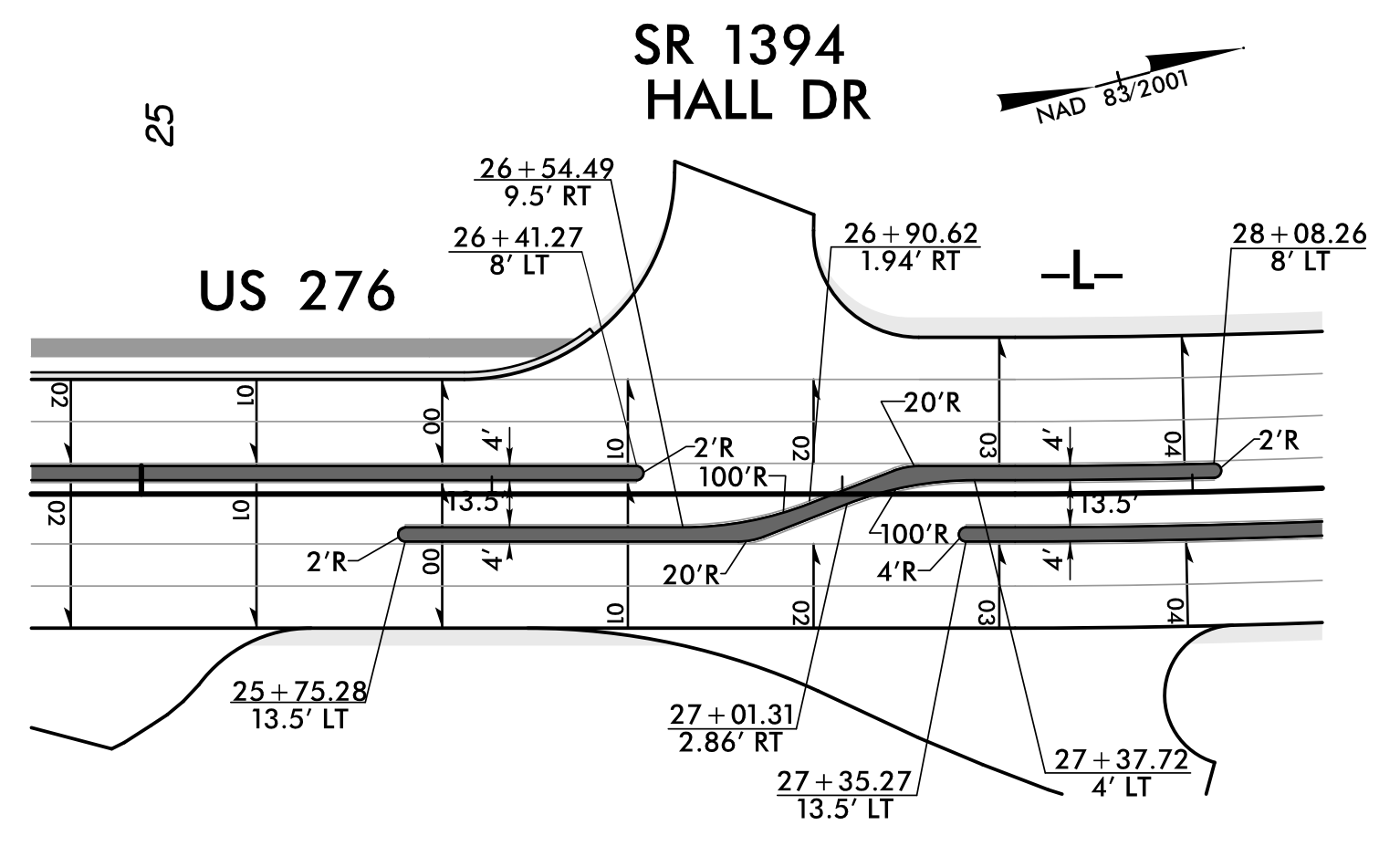


8/17/99

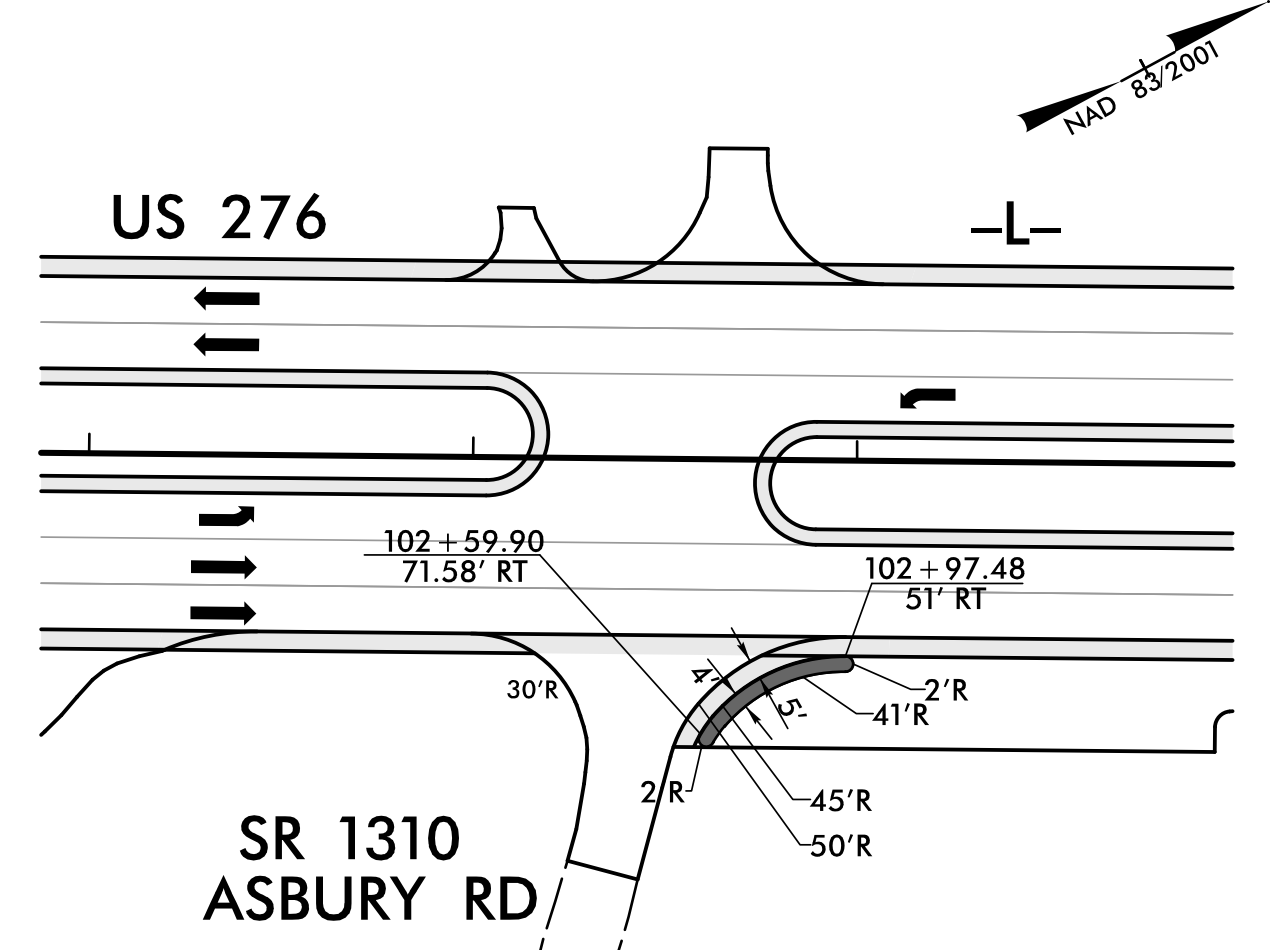
PROJECT REFERENCE NO. <i>R-5921</i>	SHEET NO. <i>2B-3</i>
RW SHEET NO.	



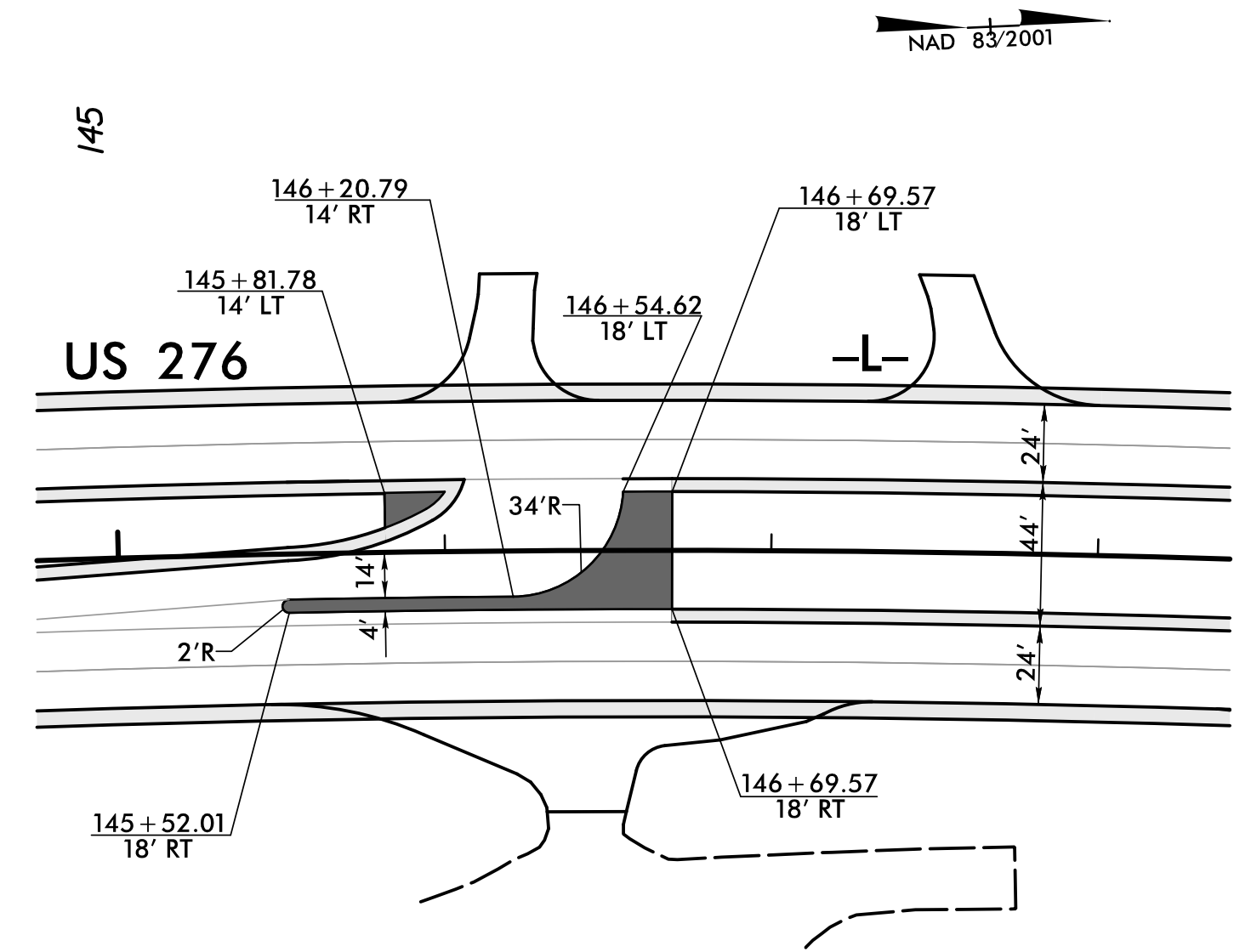
DOCUMENT NOT CONSIDERED FINAL
UNLESS ALL SIGNATURES COMPLETED



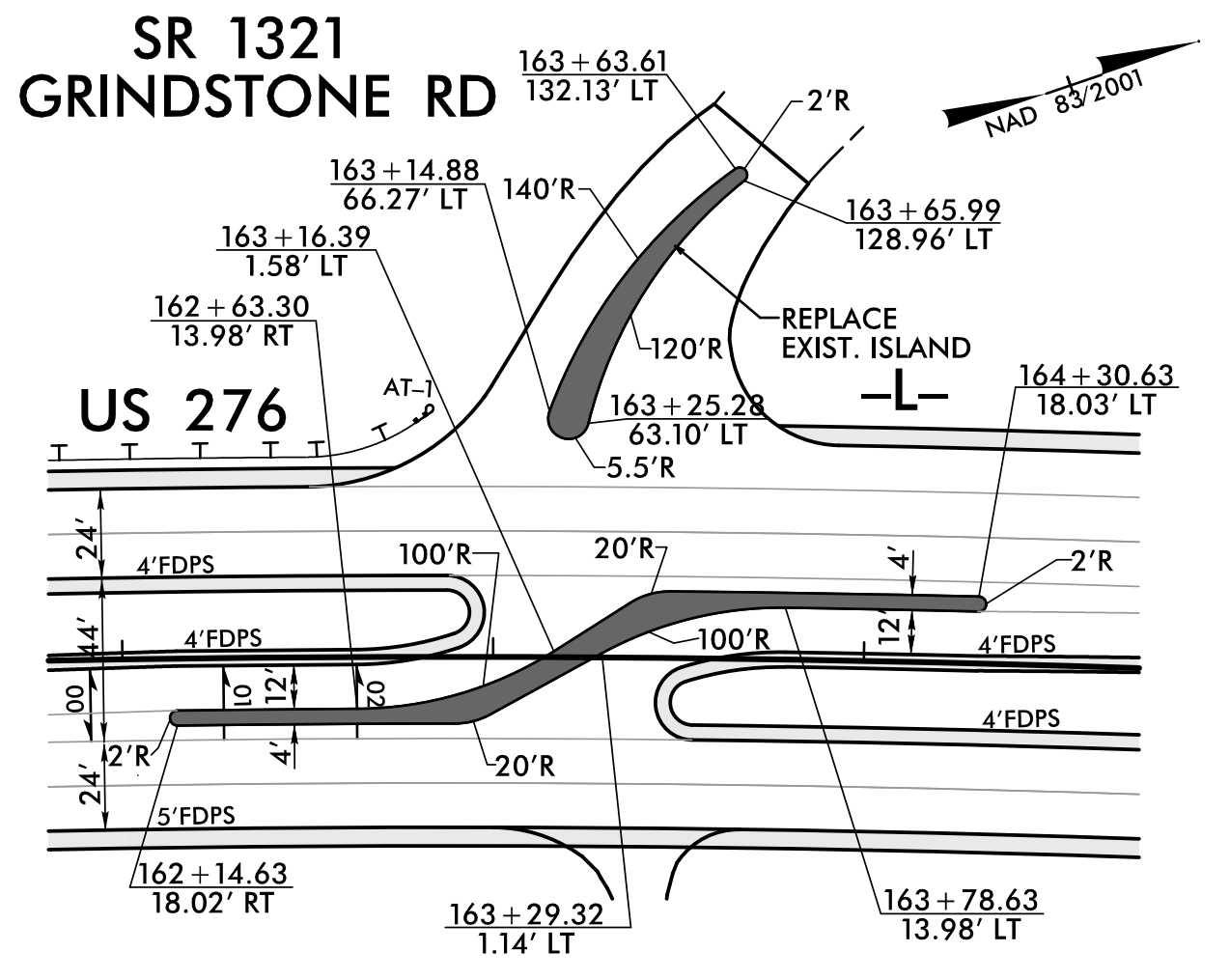
SEE PLAN SHEET NO.07



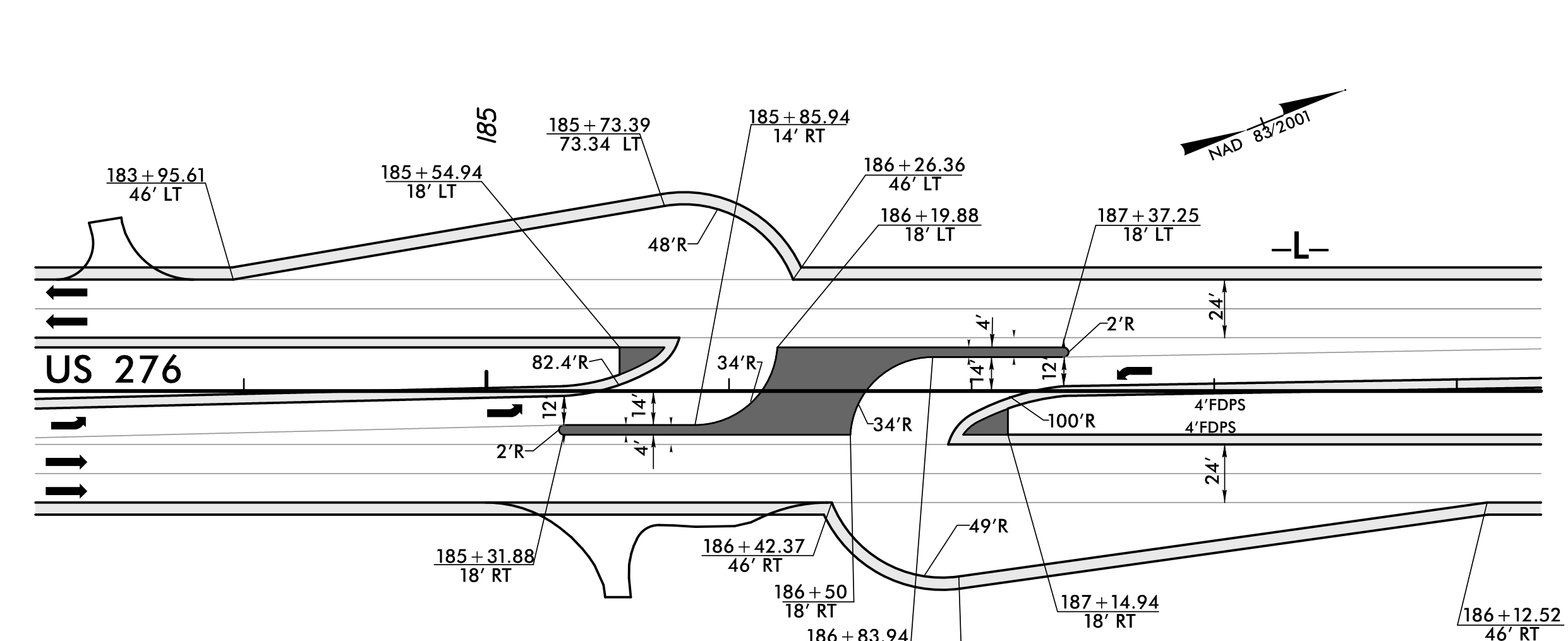
SEE PLAN SHEET NO.12



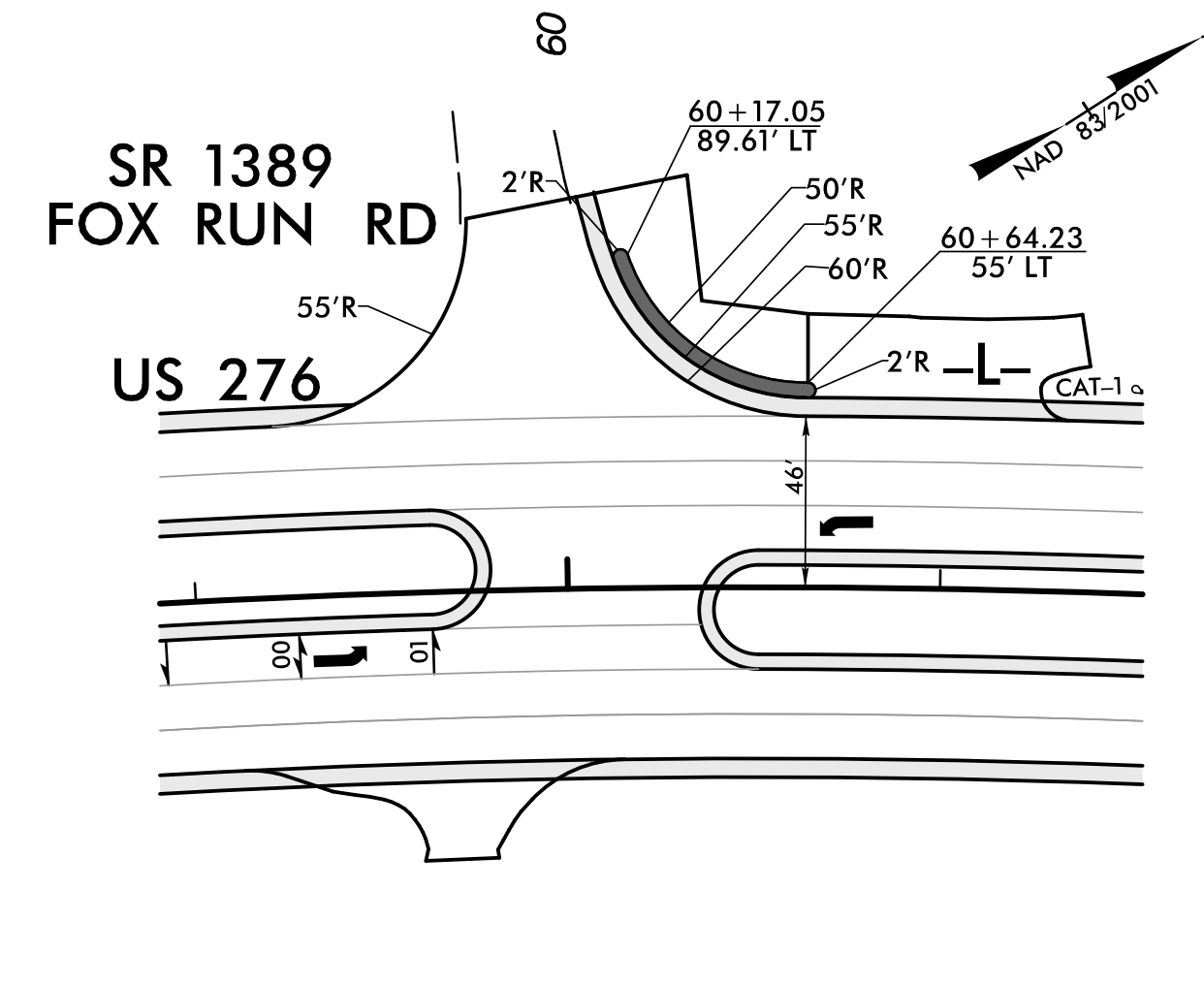
SEE PLAN SHEET NO.15



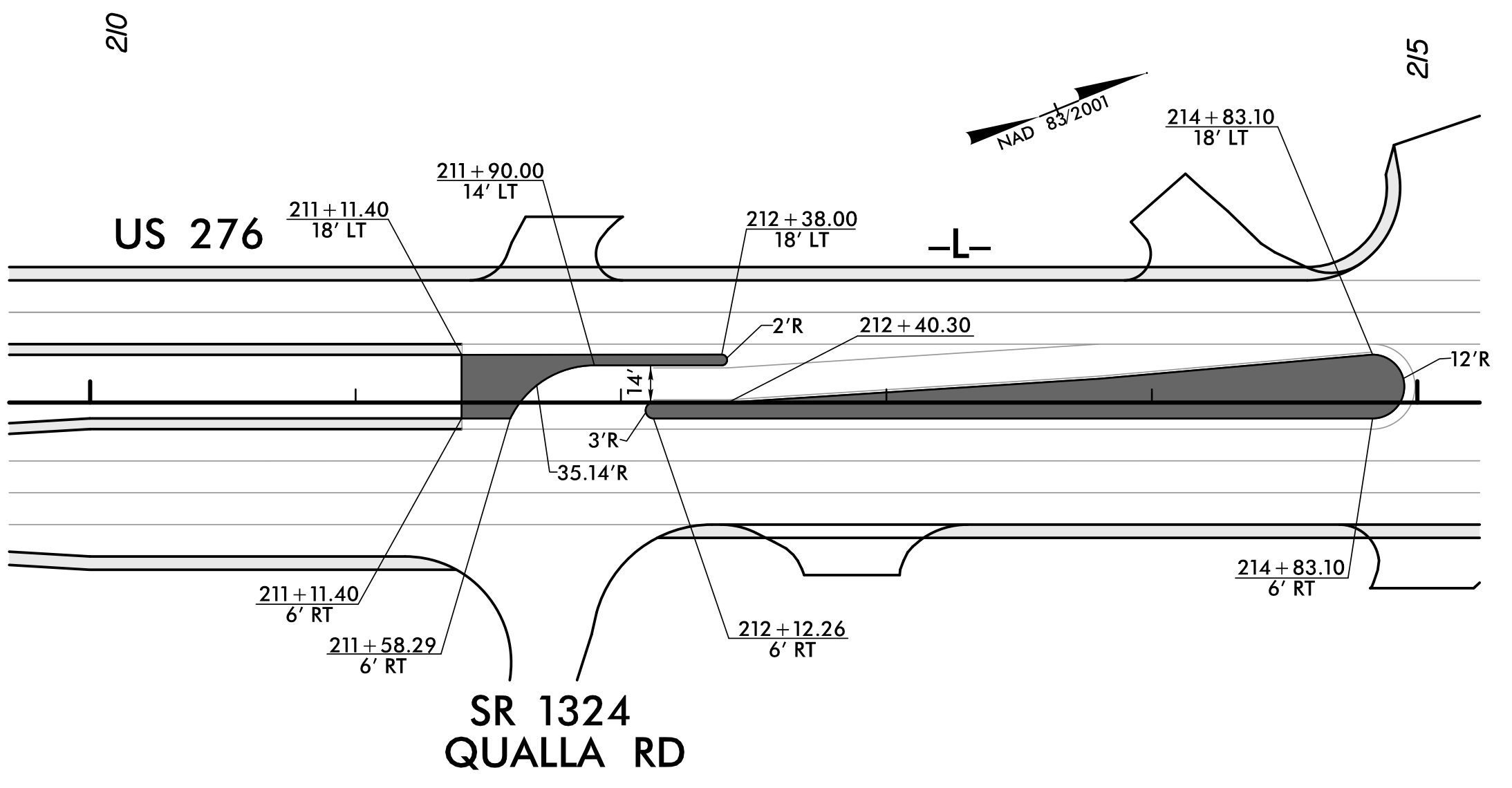
SEE PLAN SHEET NO.17



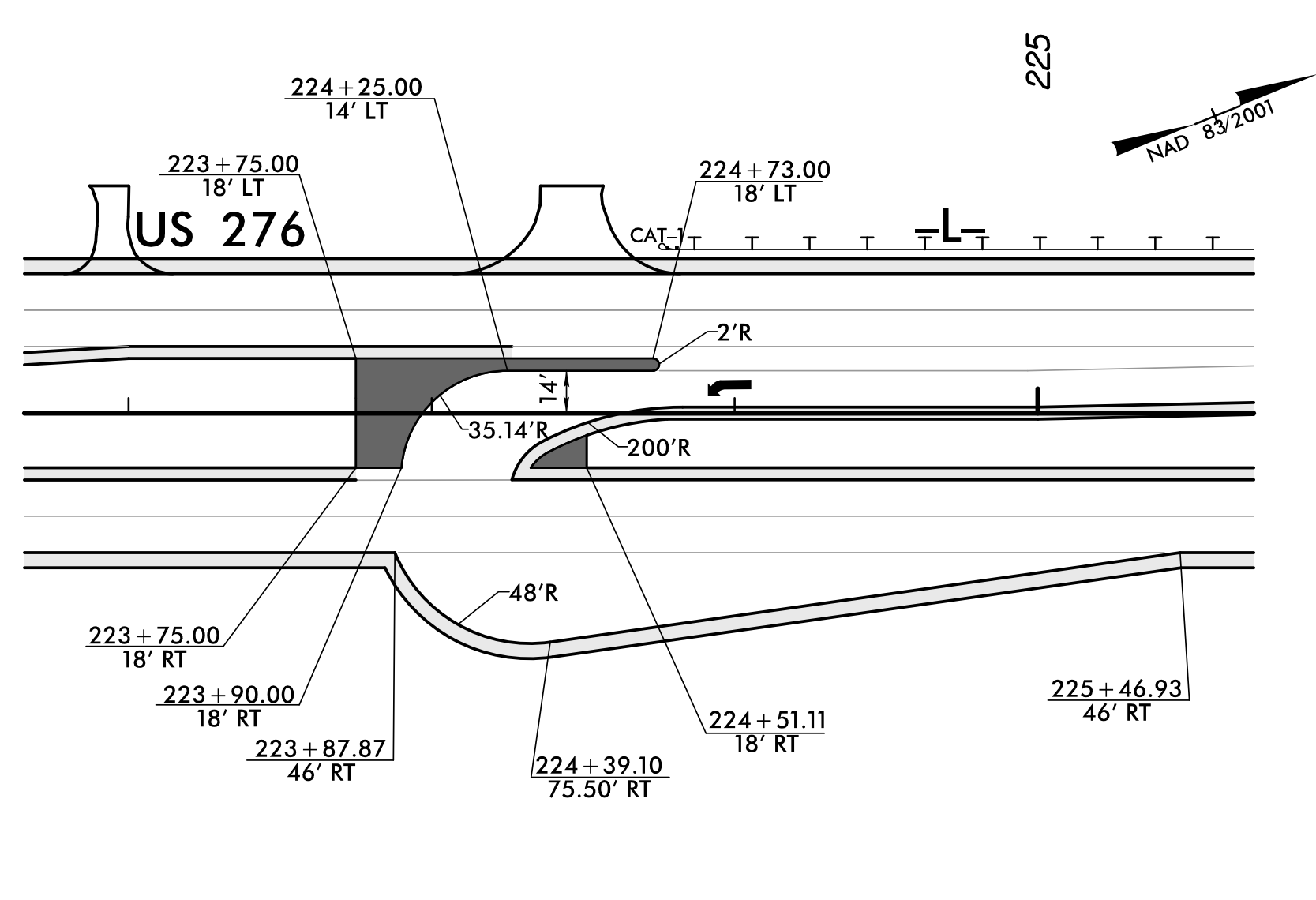
SEE PLAN SHEET NO.18



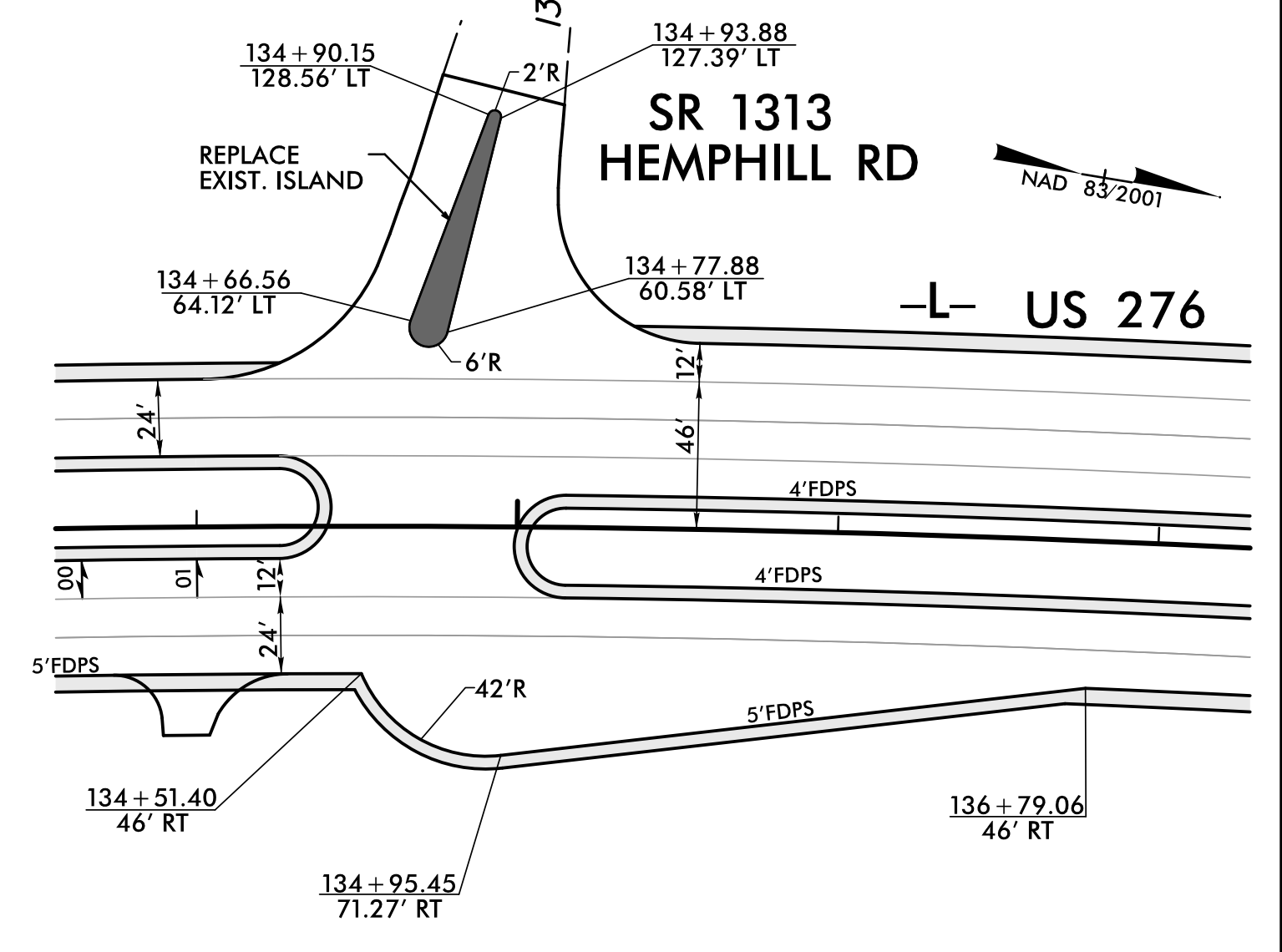
SEE PLAN SHEET NO.9



SEE PLAN SHEET NO.20



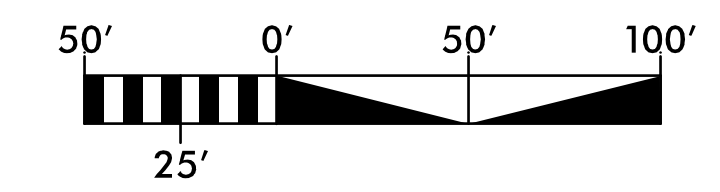
SEE PLAN SHEET NO.21



SEE PLAN SHEET NO.15

REVISIONS

6/3/2024 R-5921\Roadway\Proj\R-5921_Rdy_Dets_L2B-3 (Island & Uturn Layouts.dgn) [User Name]



CONCRETE ISLAND & U-TURN LAYOUTS