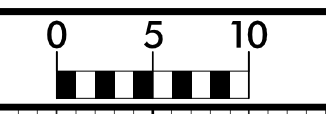


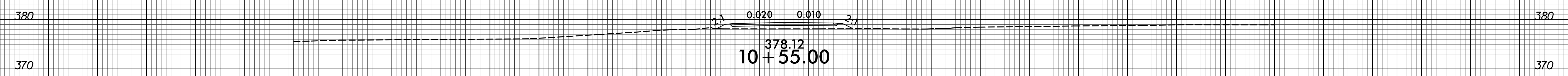
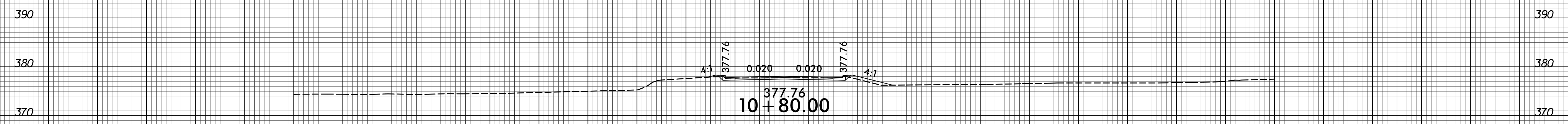
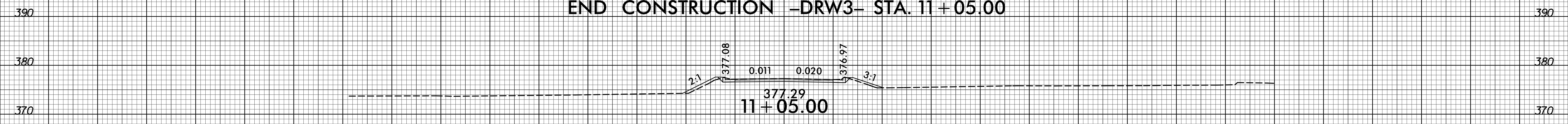
8/23/99



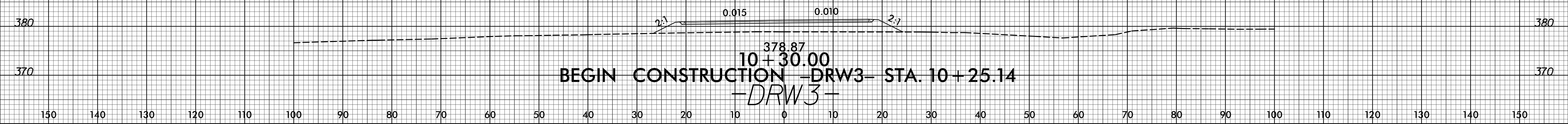
PROJ. REFERENCE NO.	SHEET NO.
U-6020	X-15

150 140 130 120 110 100 90 80 70 60 50 40 30 20 10 0 10 20 30 40 50 60 70 80 90 100 110 120 130 140 150

END CONSTRUCTION -DRW3- STA. 11 + 05.00



BEGIN CONSTRUCTION -DRW3- STA. 10 + 25.14



150 140 130 120 110 100 90 80 70 60 50 40 30 20 10 0 10 20 30 40 50 60 70 80 90 100 110 120 130 140 150

7/12/2019  
 X:\NCDDT\U-6020\Roadway\CorridorModeling\6020\_rdy\_xpl\_DRW3.dgn  
 User:rdy