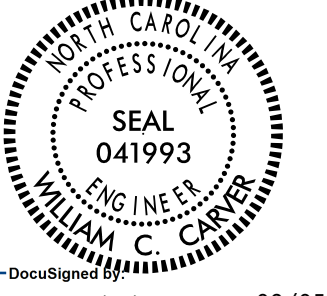
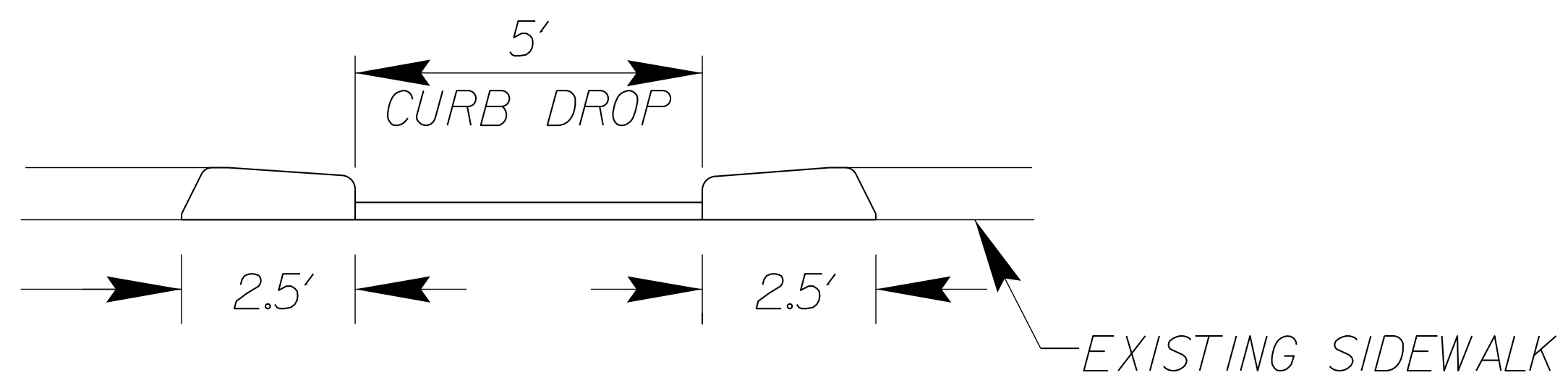
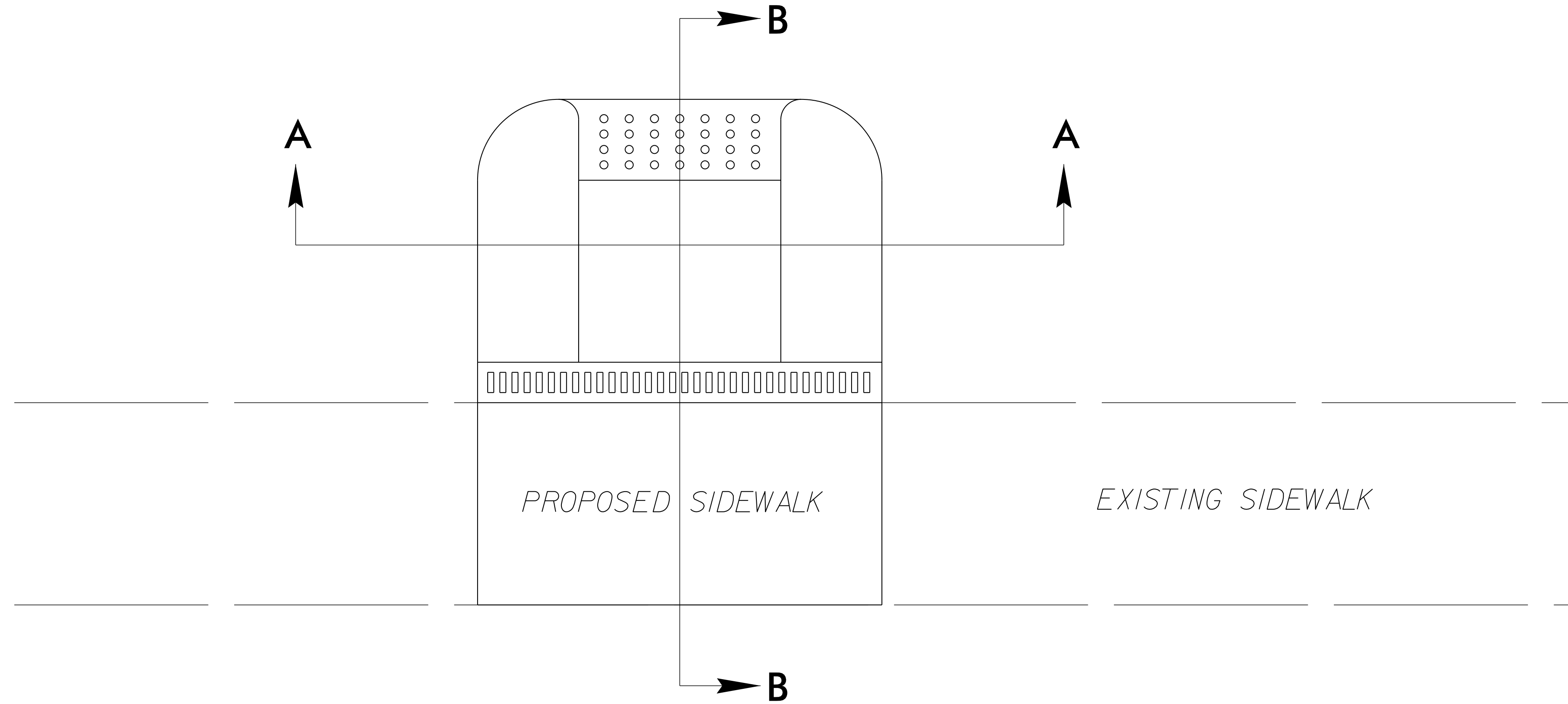
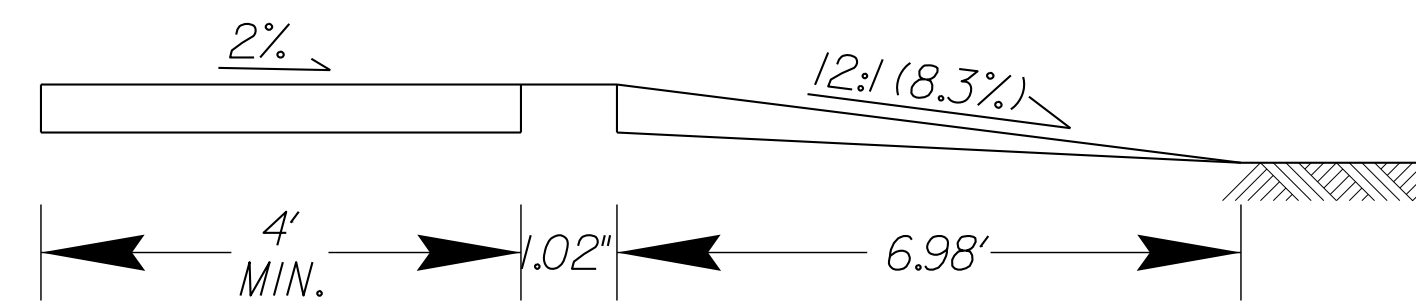


PROJECT REFERENCE NO. <i>HL-0003</i>	SHEET NO. <i>2B-2</i>
RW SHEET NO.	
ROADWAY DESIGN ENGINEER	HYDRAULICS ENGINEER
	
DocuSign <i>William C. Carver</i> 09/05/2024	
DOCUMENT NOT CONSIDERED FINAL UNLESS ALL SIGNATURES COMPLETED	

PEDESTRIAN BULBOUT DETAIL (CONT.)



SECTION A-A



SECTION B-B

REVISIONS
 05-SEP-2024 15:10 Buncombe\SR_3548_Haywood_Road\Roadway\Proj\Haywood_Rd_DDC_Bulbout_Detail.dgn
 \$\$\$\$\$\$ UNPLANNED \$\$\$\$\$\$

8/17/99