

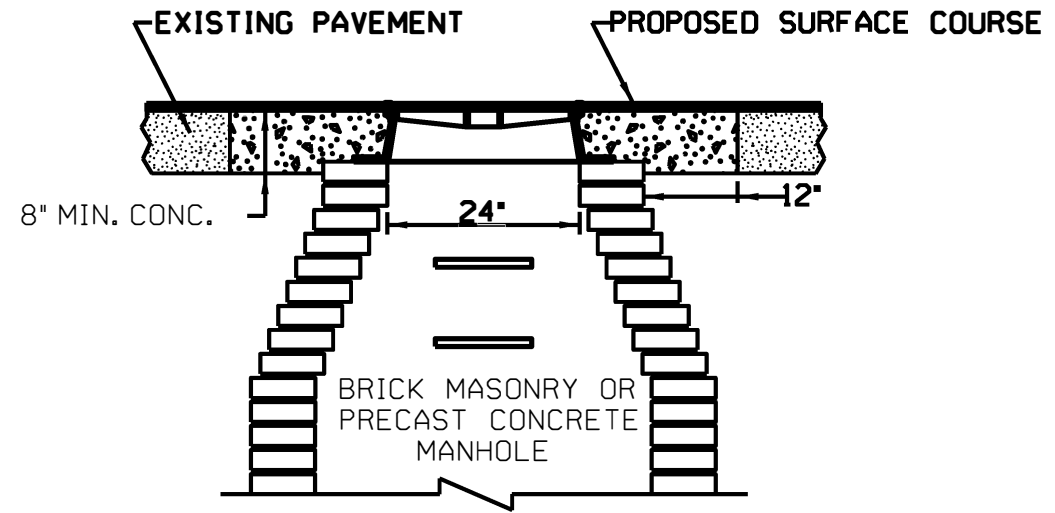
STATE OF NORTH CAROLINA
 DEPT. OF TRANSPORTATION
 DIVISION OF HIGHWAYS
 RALEIGH, N.C.

ENGLISH DETAIL DRAWING FOR
 MANHOLE AND VALVE BOX ADJUSTMENTS

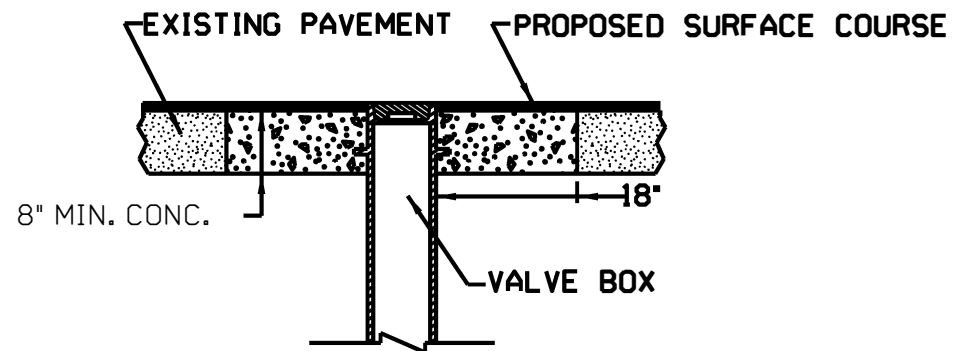
840055

GENERAL NOTES:

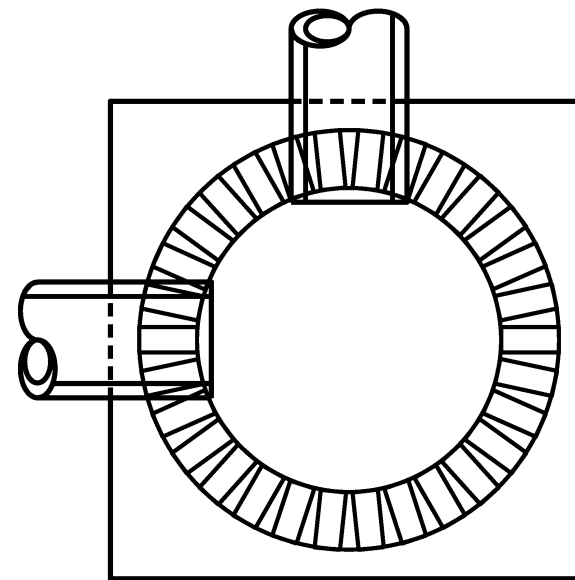
1. USE RAPID SET GROUT, MORTAR, OR CONCRETE THAT WILL TAKE FULL SET AND BECOME LOAD BEARING WITHIN SIXTY MINUTES OF PLACEMENT WITH A MINIMUM COMPRESSIVE STRENGTH OF 4000 PSI.
2. REMOVE ALL FAULTY EXISTING BRICKWORK AND REPLACE WITH NEW BRICK MASONRY.
3. SHEER CUT EXCAVATION FOR THE ADJUSTMENT ON ALL SIDES.
4. FILL AREA BELOW 8" DEPTH WITH 78M OR NO. 57 CLEAN STONE.
5. MIX MORTAR TO NCDOT SPECIFICATIONS.
6. MORTAR JOINTS $\frac{1}{2}$ " +/- $\frac{1}{8}$ "
7. CONSTRUCT AN ASPHALT RAMP IN ACCORDANCE WITH SECTION 858-3 OF THE 2024 STANDARD SPECIFICATIONS.



MANHOLE CONCRETE ENCASEMENT



VALVE BOX CONCRETE ENCASEMENT



ELEVATION VIEW

PLACE BRICK ACCORDING TO ELEVATION VIEW

STATE OF NORTH CAROLINA
 DEPT. OF TRANSPORTATION
 DIVISION OF HIGHWAYS
 RALEIGH, N.C.

ENGLISH DETAIL DRAWING FOR
 MANHOLE AND VALVE BOX ADJUSTMENTS

840055

REVISIONS

SYSTEMS
 DESIGN
 NAME