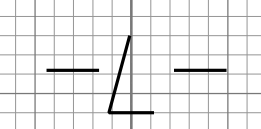
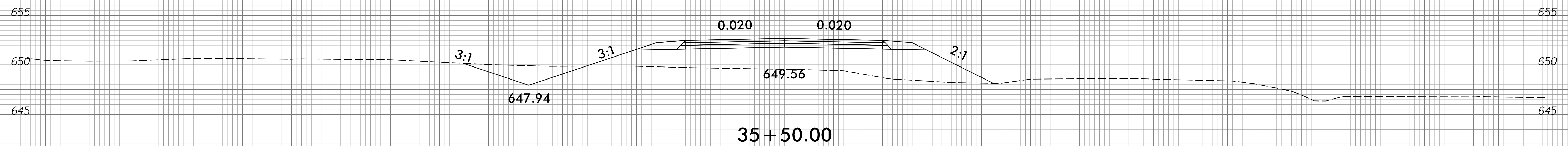
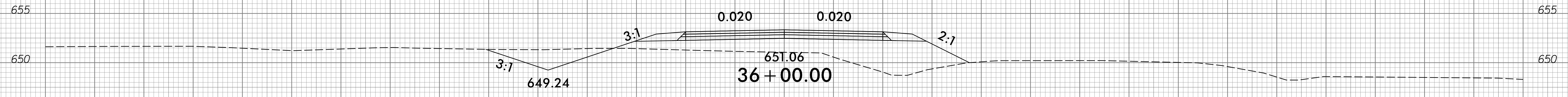
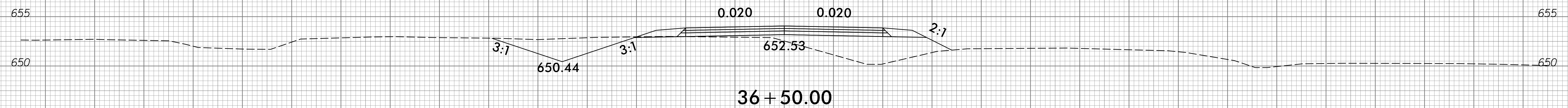
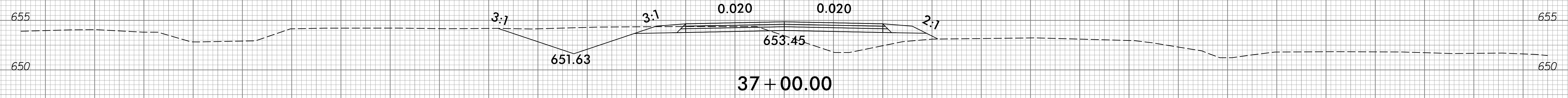


6/23/16

0 2.5 5	PROJ. REFERENCE NO.	SHEET NO.
■■■■■	BR-0097	X-11

75 70 65 60 55 50 45 40 35 30 25 20 15 10 5 0 5 10 15 20 25 30 35 40 45 50 55 60 65 70 75



6/7/2024
c:\p\1001110\br-0097\roadway\sc\br-0097_xpl.dgn
gmodlin

75 70 65 60 55 50 45 40 35 30 25 20 15 10 5 0 5 10 15 20 25 30 35 40 45 50 55 60 65 70 75