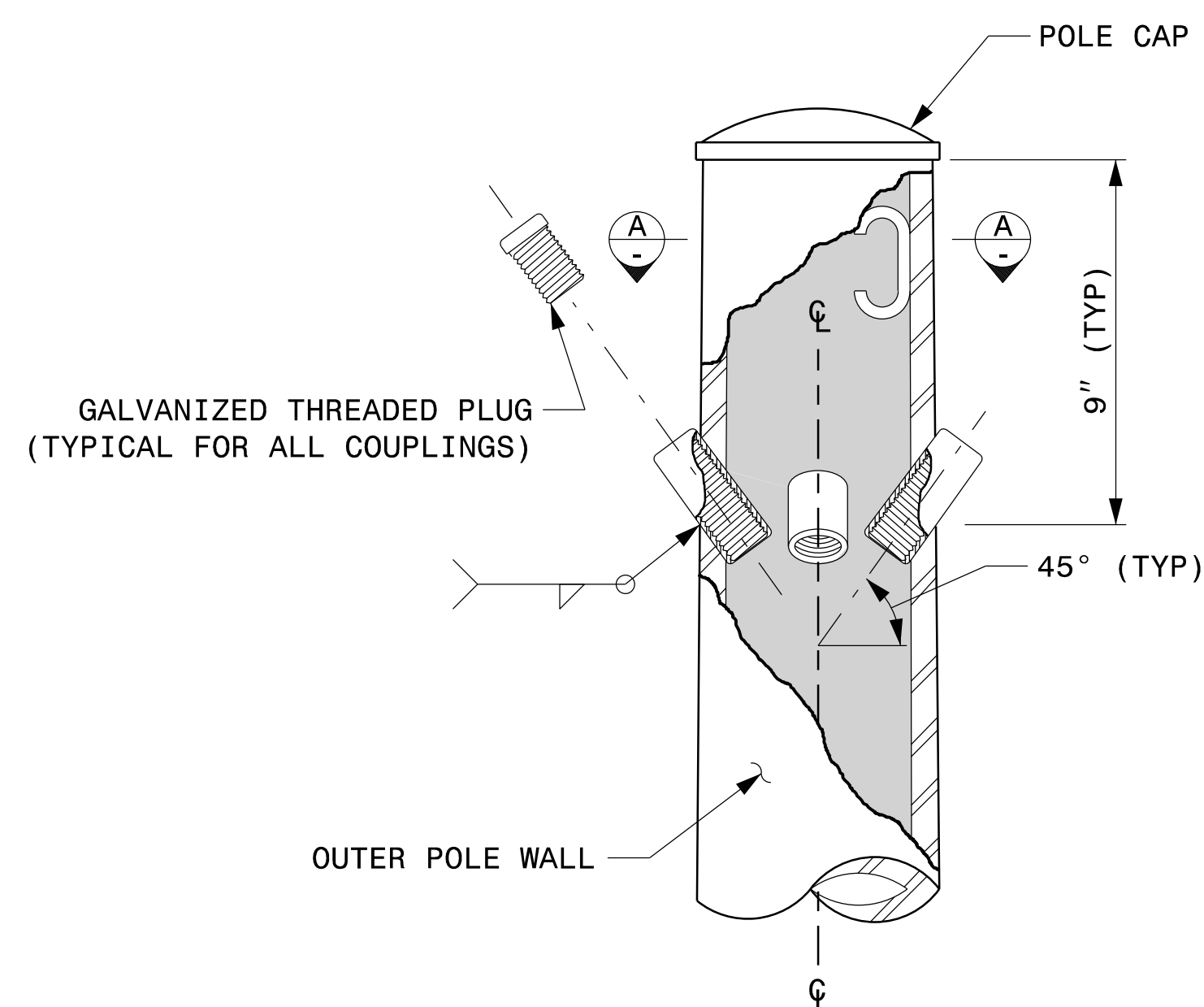
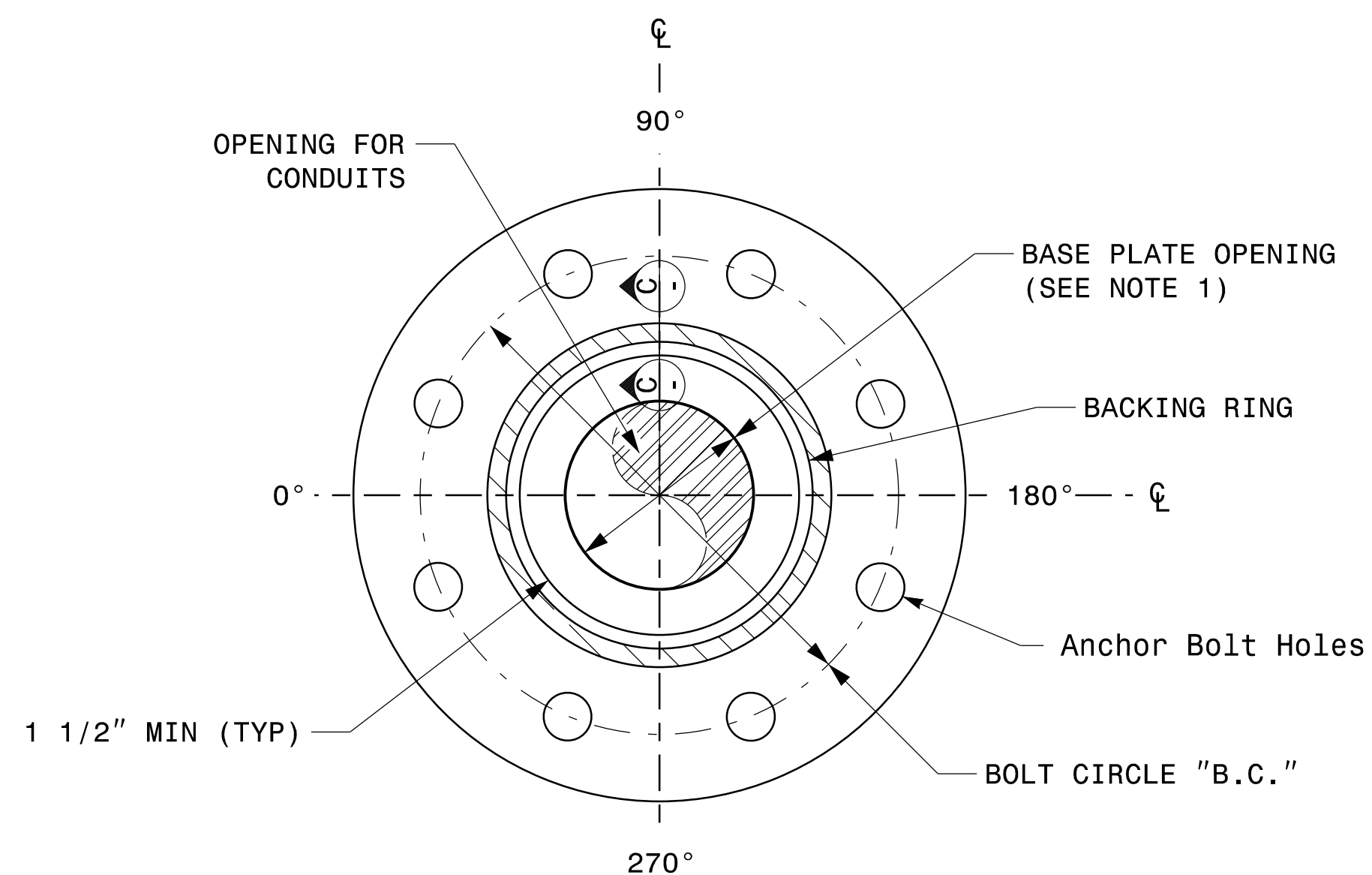


NOTE:

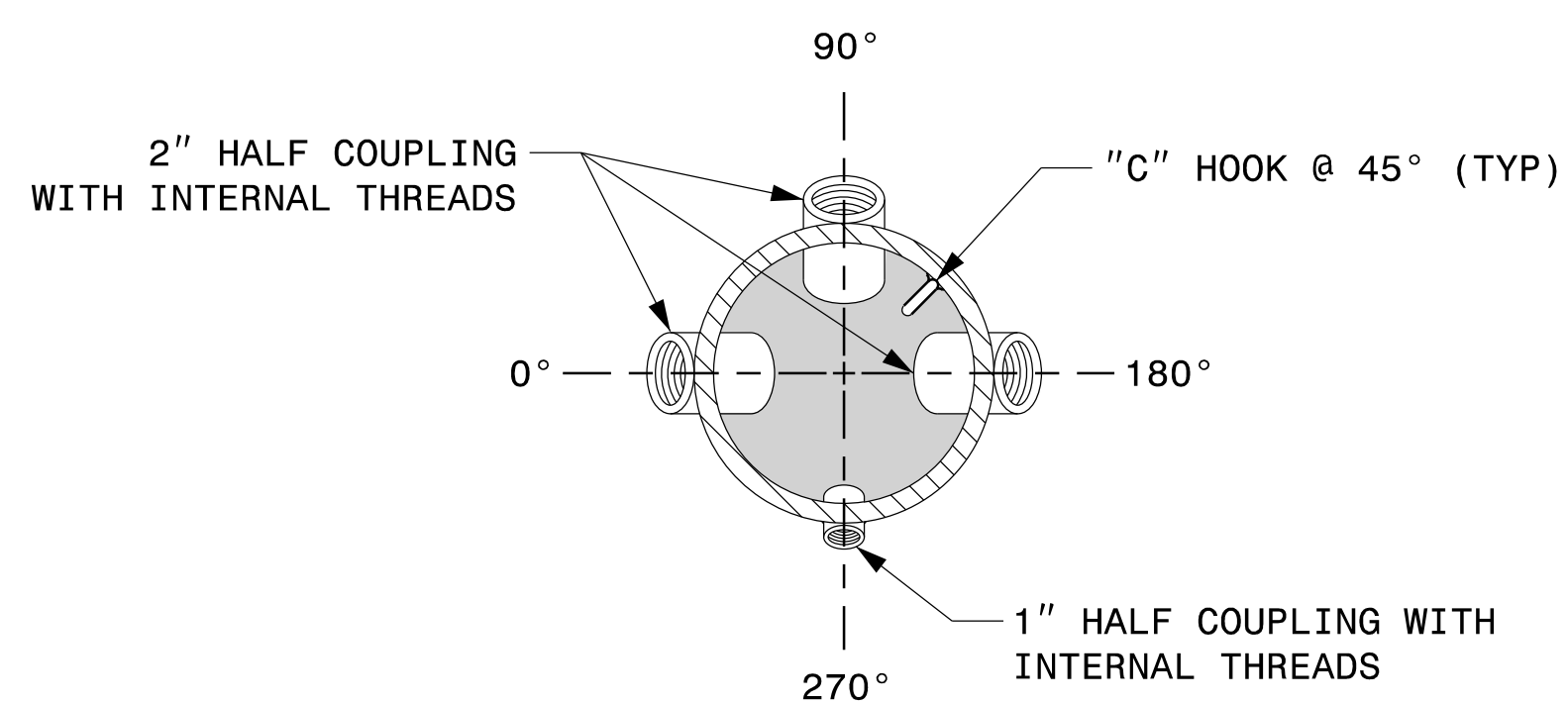
- 1. OPENING IN POLE BASE PLATE SHALL BE EQUAL TO POLE BASE INSIDE DIAMETER MINUS 3 1/2" BUT SHALL NOT BE LESS THAN 8 1/2".



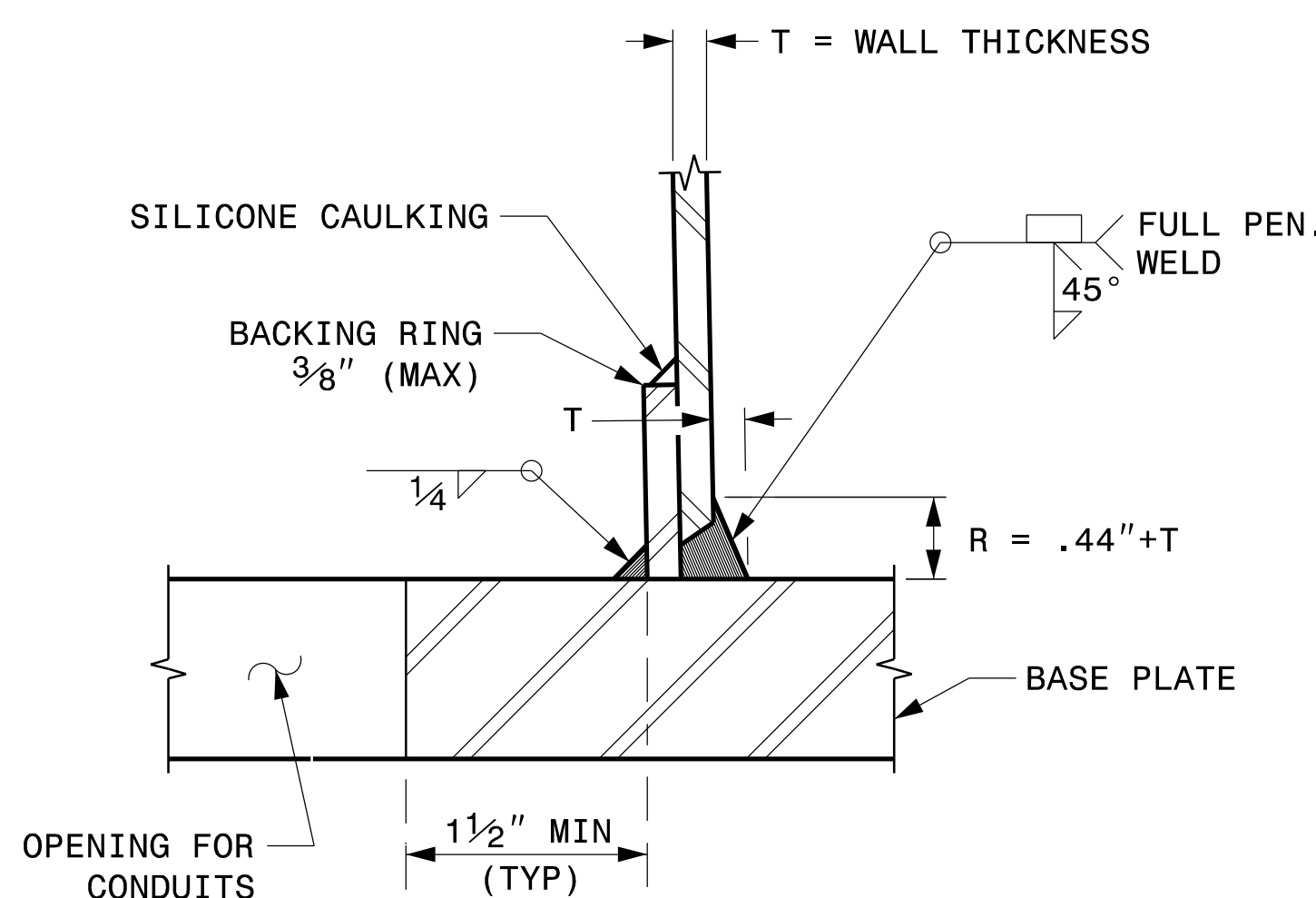
CABLE ENTRANCES AT TOP OF POLE



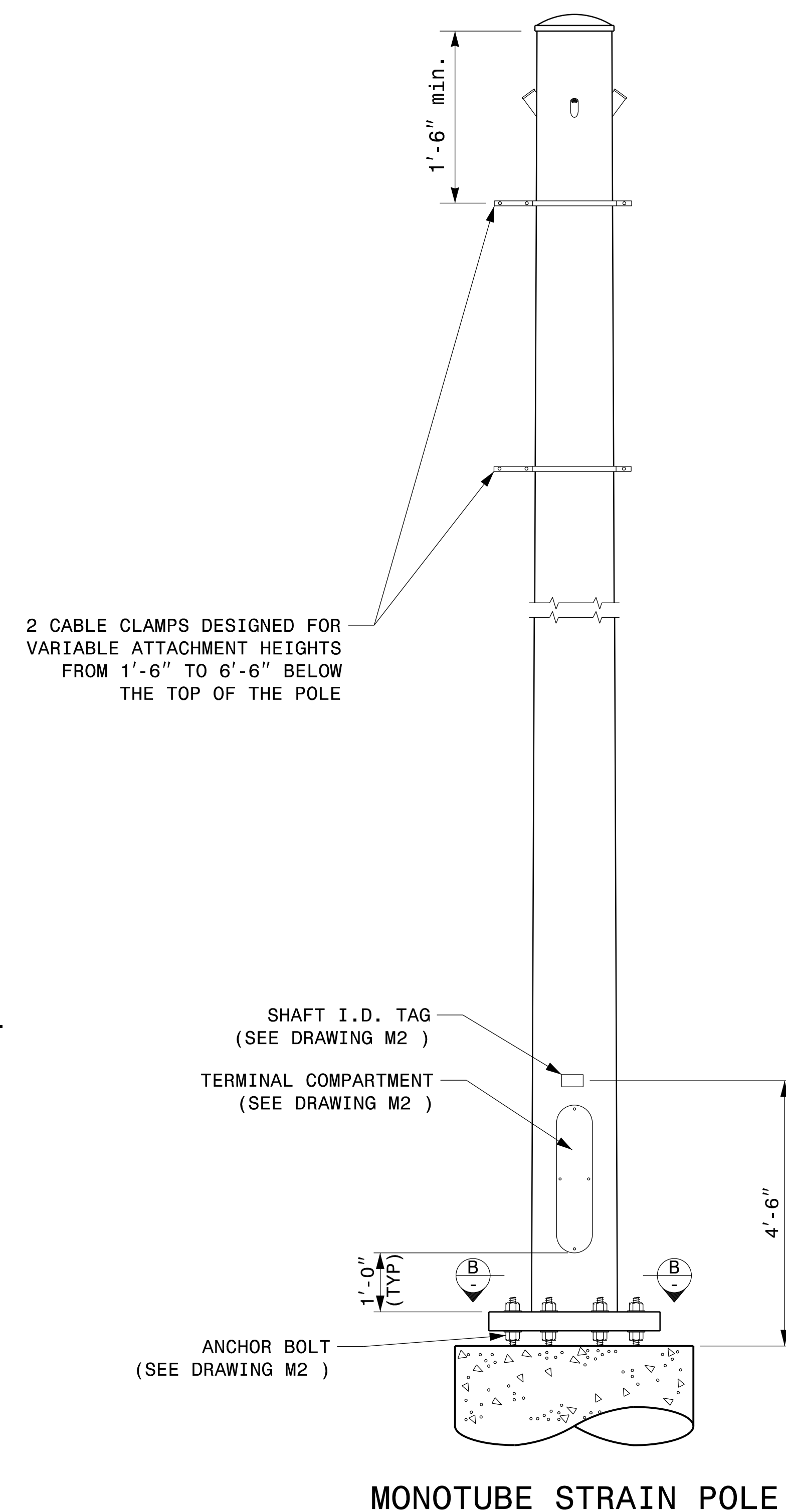
SECTION B-B
POLE BASE PLATE DETAILS
(8 AND 12 BOLT PATTERN)



SECTION A-A
RADIAL ORIENTATION OF FACTORY INSTALLED
ACCESSORIES AT TOP OF POLE



SECTION C-C
(POLE ATTACHMENT TO BASE PLATE)
FULL-PENETRATION
GROOVE WELD DETAIL



Prepared in the Offices of:

750 N. Greenfield Pkwy, Garner, NC 27529

Typical Fabrication Details For Strain Poles

PLAN DATE: SEPTEMBER 2023	DESIGNED BY: K.C. DURIGON
PREPARED BY: K.C. DURIGON	REVIEWED BY: D.C. SARKAR
REVISIONS	INIT. DATE

SEAL

DocuSigned by:
Kevin Durigon
09/21/2023

21-SEP-2023 07:58 S:\ITS\SS\HITS Signal\Design Sections\structures\Drawings\2024 Metal Pole Std Drawings for LRFD\2024 Sig.M3 Std Fabrication Details-Strain Poles.dgn

Fabrication Details - Strain Poles