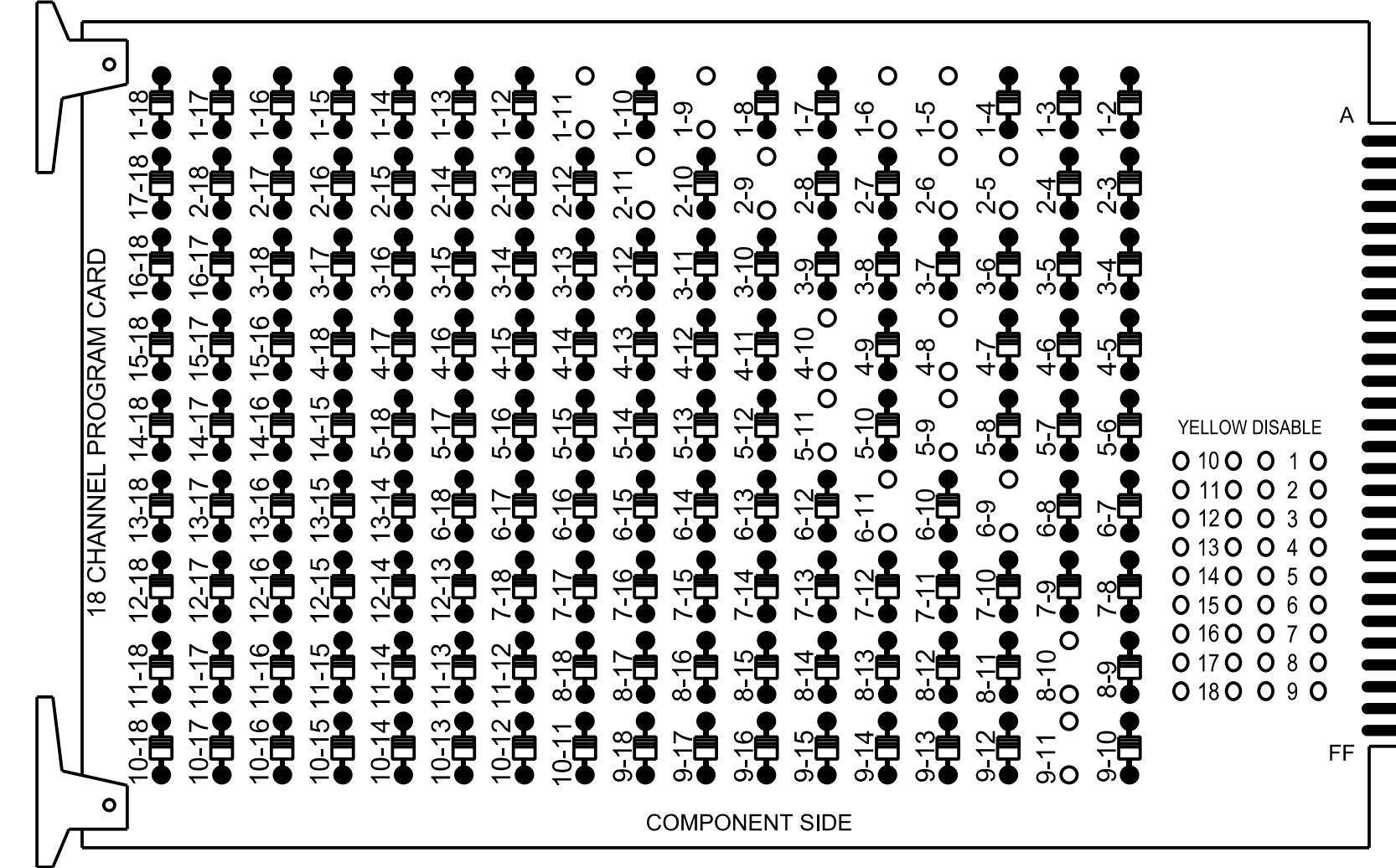


18 CHANNEL IP CONFLICT MONITOR PROGRAMMING DETAIL

(remove jumpers and set switches as shown)

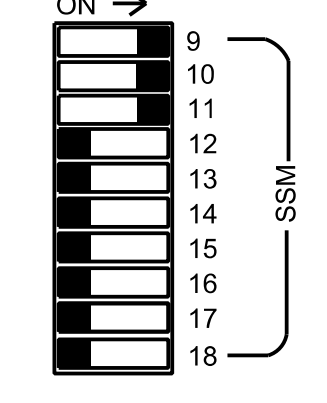
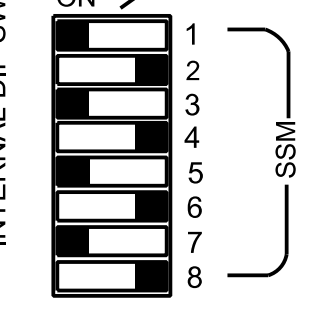
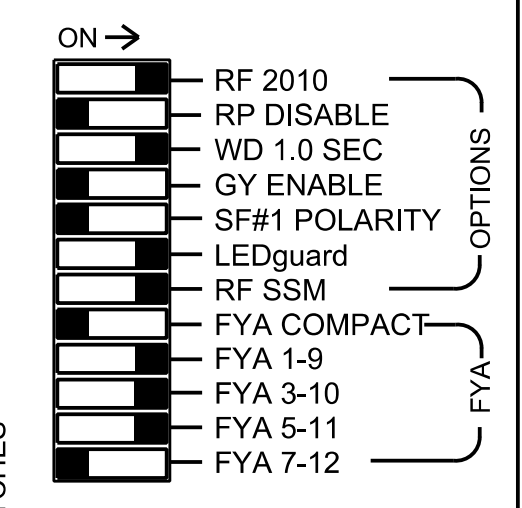
REMOVE DIODE JUMPERS 1-5, 1-6, 1-9, 1-11, 2-5, 2-6, 2-9, 2-11, 4-8, 4-10, 5-9, 5-11, 6-9, 6-11, 8-10, and 9-11.



REMOVE JUMPERS AS SHOWN

NOTES:

- Card is provided with all diode jumpers in place. Removal of any jumper allows its channels to run concurrently.
- Ensure jumpers SEL2-SEL5 and SEL9 are present on the monitor board.
- Ensure that the Red Enable is active at all times during normal operation.
- Integrate monitor with Ethernet network in cabinet.



■ = DENOTES POSITION OF SWITCH

NOTES

- To prevent "flash-conflict" problems, insert red flash program blocks for all unused vehicle load switches in the output file. The installer shall verify that signal heads flash in accordance with the signal plans.
- Program phases 4 and 8 for Dual Entry.
- Program controller to start up in phase 2 Green No Walk and 6 Green No Walk.
- If this signal will be managed by an ATMS software, enable controller and detector logging for all enabled detectors used at this location.
- The cabinet and controller are part of Signal System #D08-29_Asheboro, US 64 Bus-NC 49 (Asheboro).

EQUIPMENT INFORMATION

Controller.....2070LX
 Cabinet.....332 w/ Aux
 Software.....Q-Free MAXTIME
 Cabinet Mount.....Base
 Output File Positions.....18 With Aux. Output File
 Load Switches Used.....S1,S2,S5,S7,S8,S11
 AUX S1,AUX S2,AUX S4
 Phases Used.....1,2,4,5,6,8
 Overlap "1".....*
 Overlap "2".....*
 Overlap "3".....*
 Overlap "4".....NOT USED

*See overlap programming detail on sheet 2

SIGNAL HEAD HOOK-UP CHART

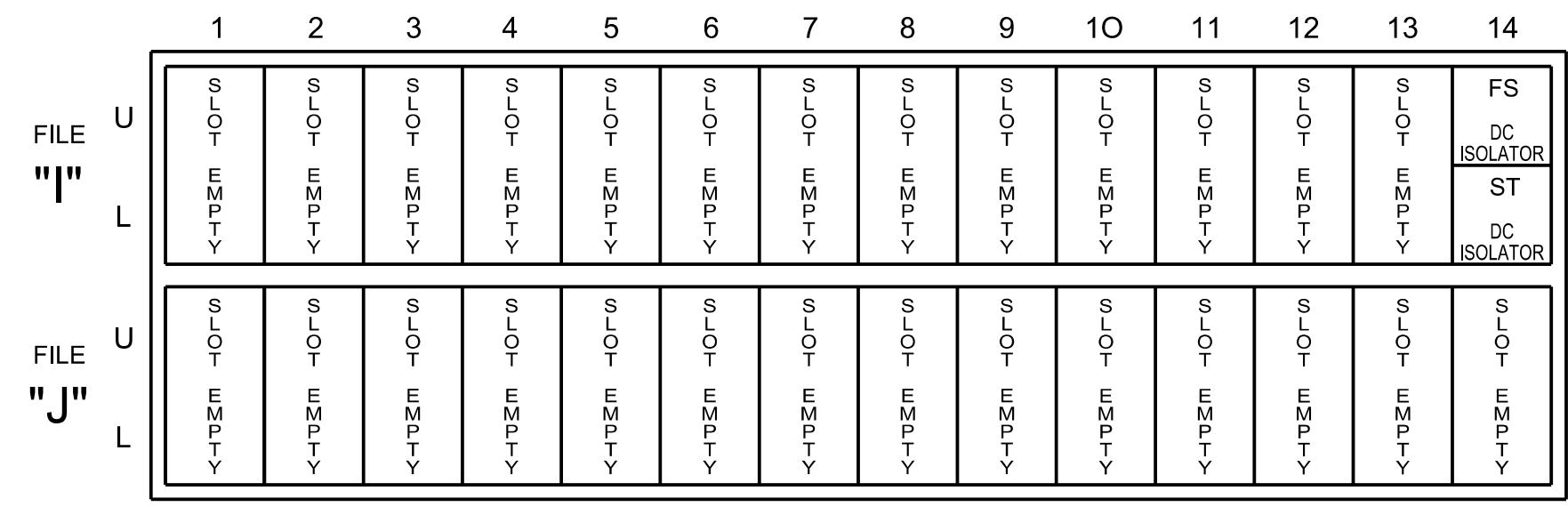
LOAD SWITCH NO.	S1	S2	S3	S4	S5	S6	S7	S8	S9	S10	S11	S12	AUX S1	AUX S2	AUX S3	AUX S4	AUX S5	AUX S6
CMU CHANNEL NO.	1	2	13	3	4	14	5	6	15	7	8	16	9	10	17	11	12	18
PHASE	1	2	2 PED	3	4	4 PED	5	6	6 PED	7	8	8 PED	OL1	OL2	SPARE	OL3	OL4	SPARE
SIGNAL HEAD NO.	11	21,22	NU	NU	41,42	NU	51	61,62	NU	NU	82,83,84	NU	11	81	NU	51	NU	NU
RED	128				101			134			107							
YELLOW	*	129			102		*	135			108							
GREEN		130			103			136			109							
RED ARROW													A121	A124		A114		
YELLOW ARROW													A122	A125		A115		
FLASHING YELLOW ARROW													A123	A126		A116		
GREEN ARROW	127							133										

NU = Not Used

- * Denotes install load resistor. See load resistor installation detail this sheet.
- ★ See pictorial of head wiring in detail this sheet.

INPUT FILE POSITION LAYOUT

(front view)



EX.: 1A, 2A, ETC. = LOOP NO.'S

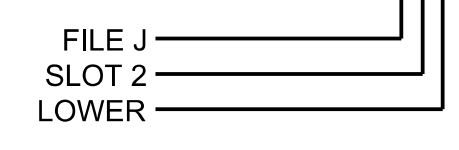
FS = FLASH SENSE
ST = STOP TIME

INPUT FILE CONNECTION & PROGRAMMING CHART

LOOP NO.	LOOP TERMINAL	INPUT FILE POS.	PIN NO.	INPUT POINT	DETECTOR NO.	CALL PHASE	DELAY TIME	EXTEND TIME	EXTEND	ADDED INITIAL	CALL	DELAY DURING GREEN
1A	TB2-1,2	I1U	56	18	1 ★	1	15		X		X	
				-	29 ★	6	3		X		X	X
5A	TB3-1,2	J1U	55	17	15	5	15		X		X	
				-	31	2	3		X		X	X

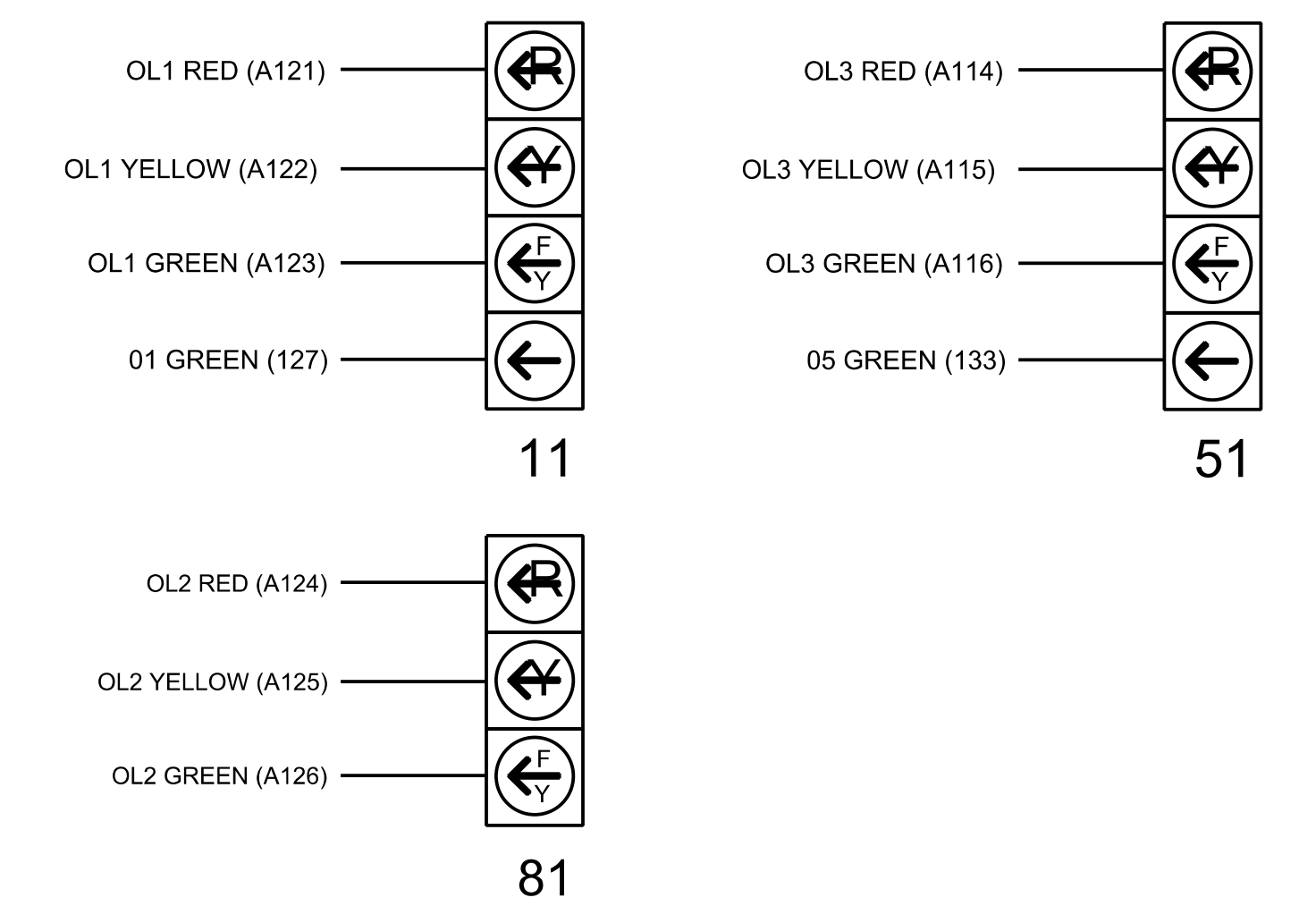
★ For the detectors to work as shown on the signal design plan, see the Detector Programming Detail for Alternate Phasing on Sheet 2.

INPUT FILE POSITION LEGEND: J2L



FYA SIGNAL WIRING DETAIL

(wire signal heads as shown)



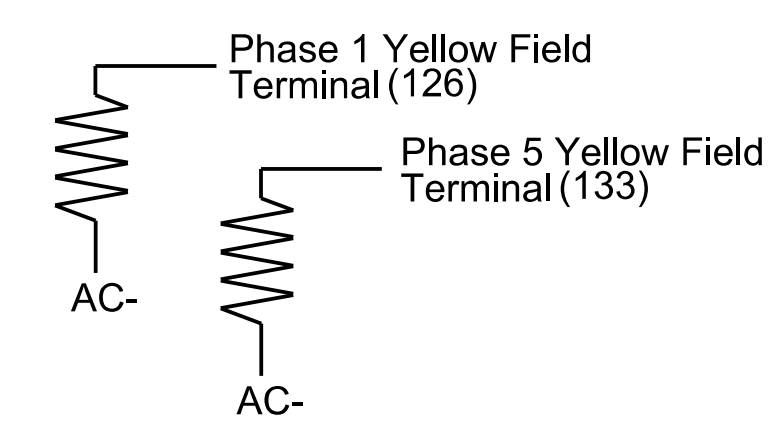
SPECIAL DETECTOR NOTE

Install a multizone microwave detection system for vehicle detection. Perform installation according to manufacturer's directions and NCDOT engineer-approved mounting locations to accomplish the detection schemes shown on the Signal Design Plans.

LOAD RESISTOR INSTALLATION DETAIL

(install resistors as shown)

ACCEPTABLE VALUES	
Value (ohms)	Wattage
1.5K - 1.9K	25W (min)
2.0K - 3.0K	10W (min)



Signal Upgrade
Temporary Design 2
Electrical Detail - Sheet 1 of 3

DOCUMENT NOT CONSIDERED FINAL
UNLESS ALL SIGNATURES COMPLETED

Electrical and Programming Details For:

Prepared for the Offices of:

HNTB NORTH CAROLINA, P.C.
343 E. Six Forks Road, Suite 200
Raleigh, North Carolina 27609
NC License No: C-1554
(919) 546-8997

US 64 Bus. (Dixie Dr)
at
SR 1144 (Mack Rd)/Fisher Cir

Division 8 Randolph County Asheboro

PLAN DATE: August 2021 REVIEWED BY: A.D. Klinksiek
PREPARED BY: N.K. Vianich REVIEWED BY: N.R. Simmons

SEAL
NORTH CAROLINA PROFESSIONAL ENGINEER
W.T. SHAW R. SIMMONS
SEAL 031464

DocuSigned by:
Melissa R. Simmons 5/21/2024

REVISIONS: INIT. DATE

SIG. INVENTORY NO. 08-0507T2