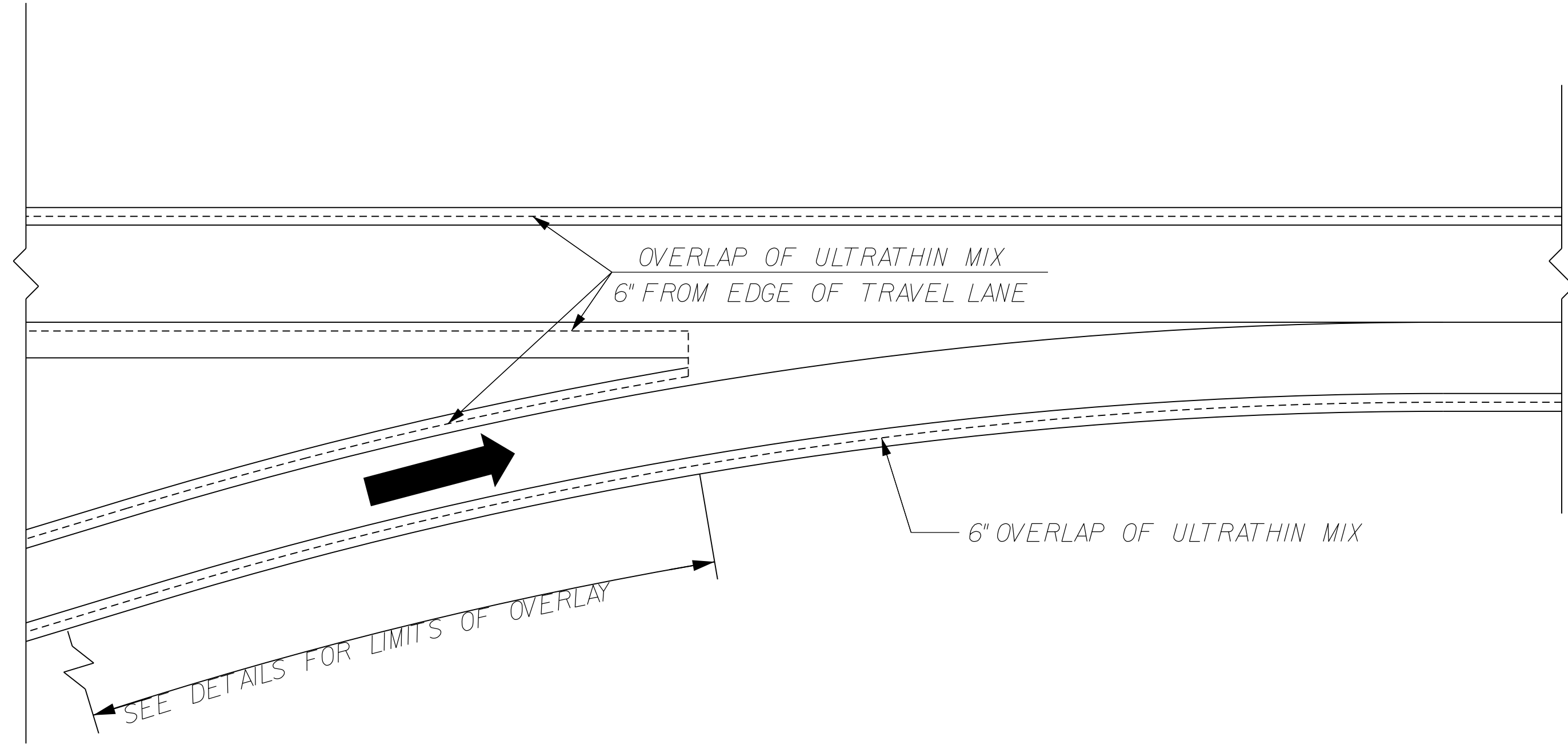
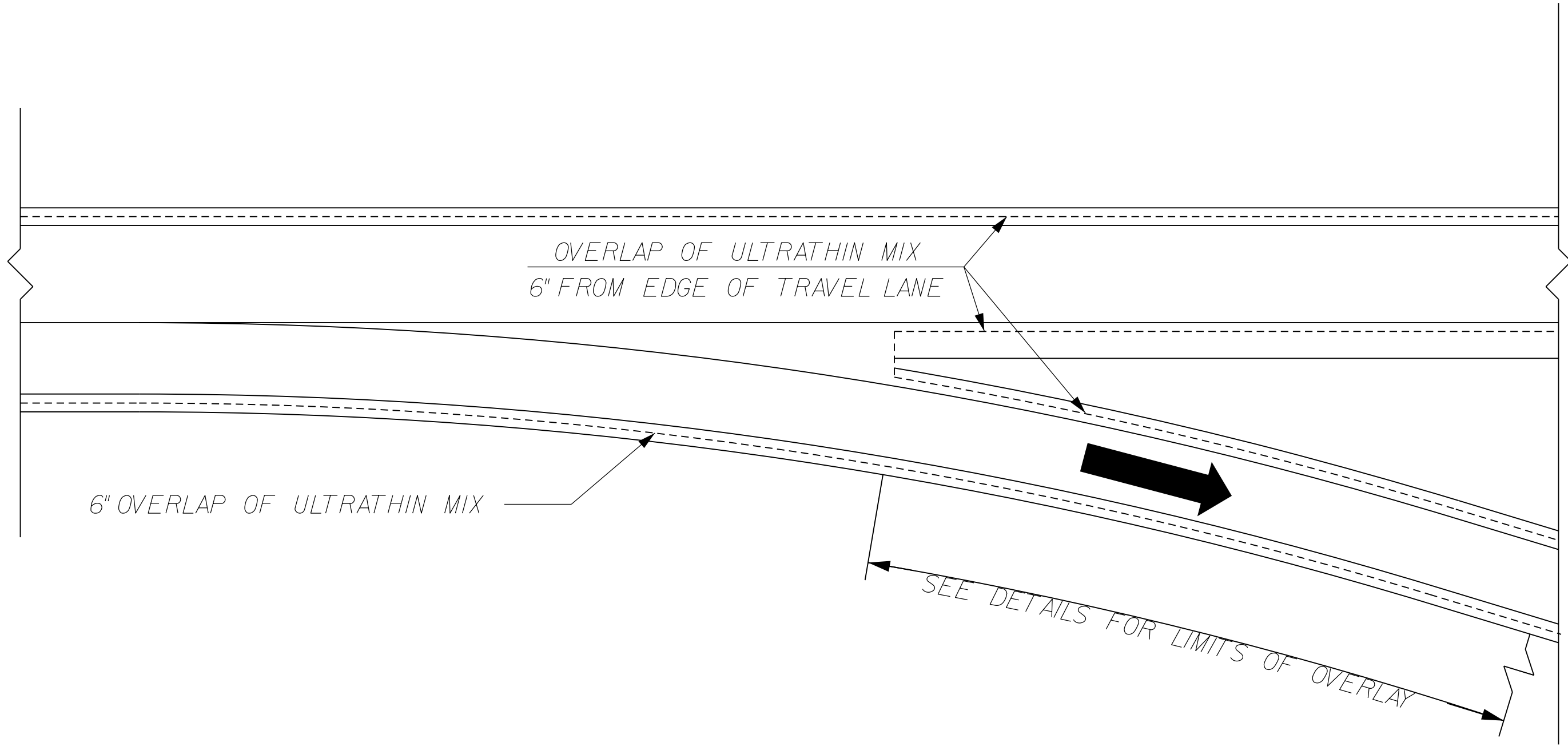
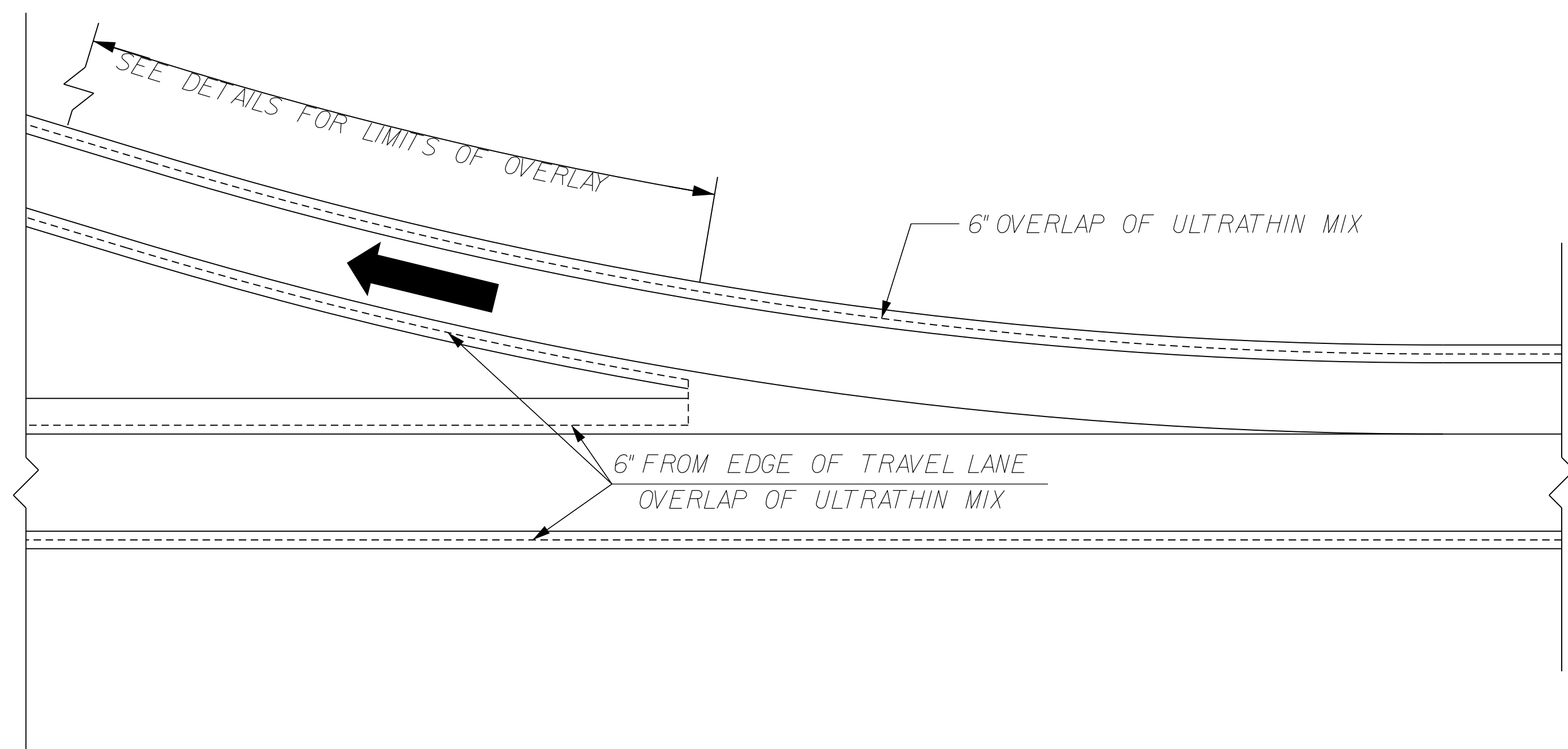
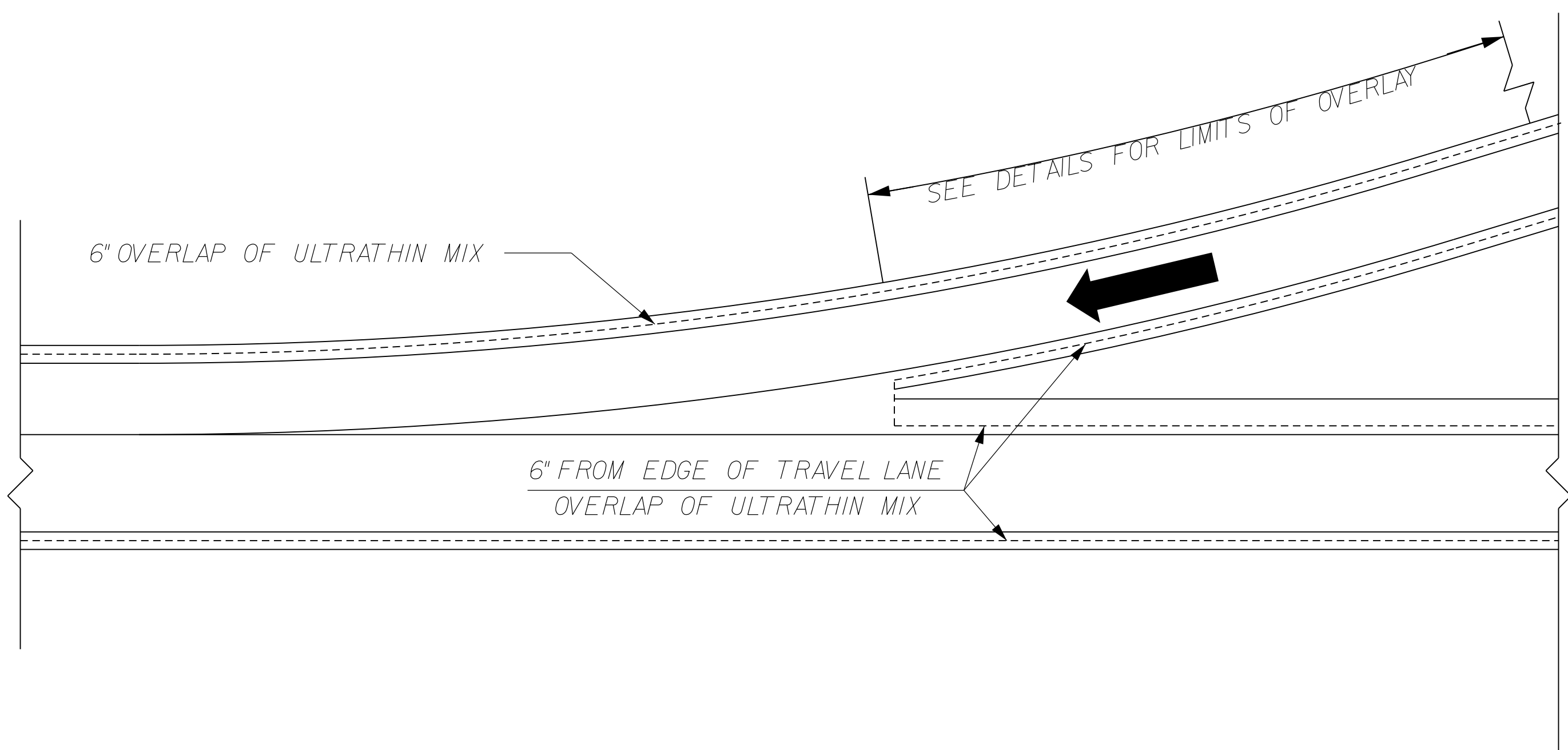


5/14/99
 05-APP-0024.dwg
 49\Types_Maps_Details\177_rdy_typical.dgn
 05-APP-0024.dwg
 49\Types_Maps_Details\177_rdy_typical.dgn



GORE AND RAMP RESURFACING DETAIL

USE DETAIL IN CONJUNCTION WITH TYPICAL SECTIONS