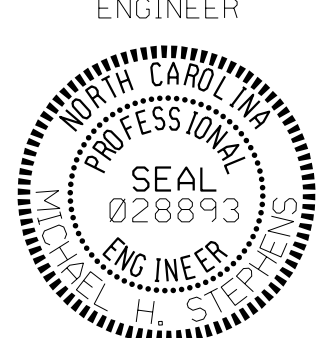


GEOTECHNICAL ENGINEER

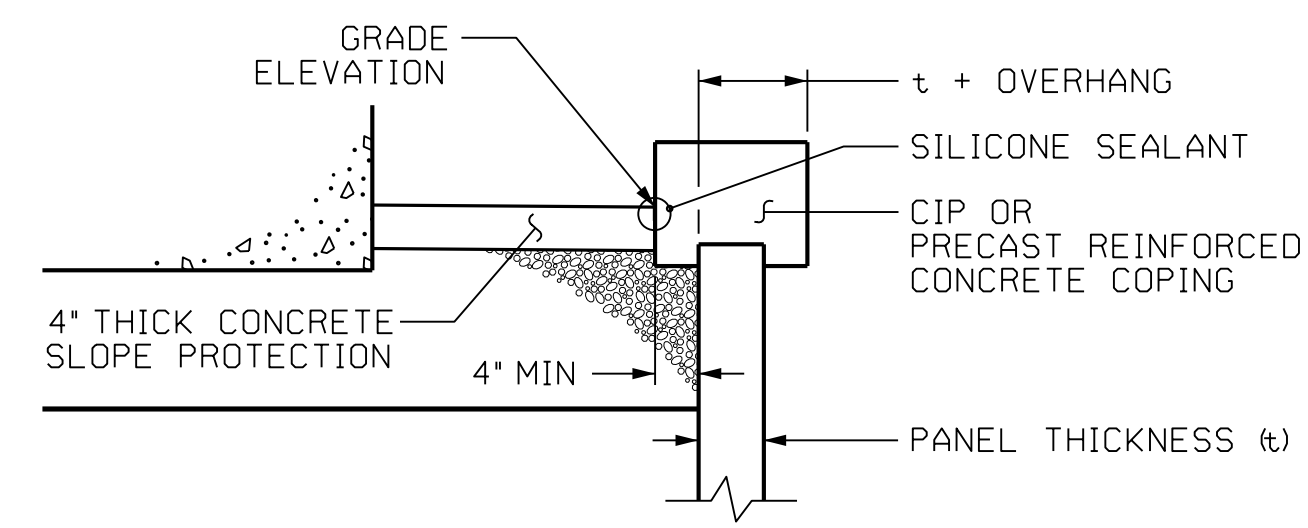
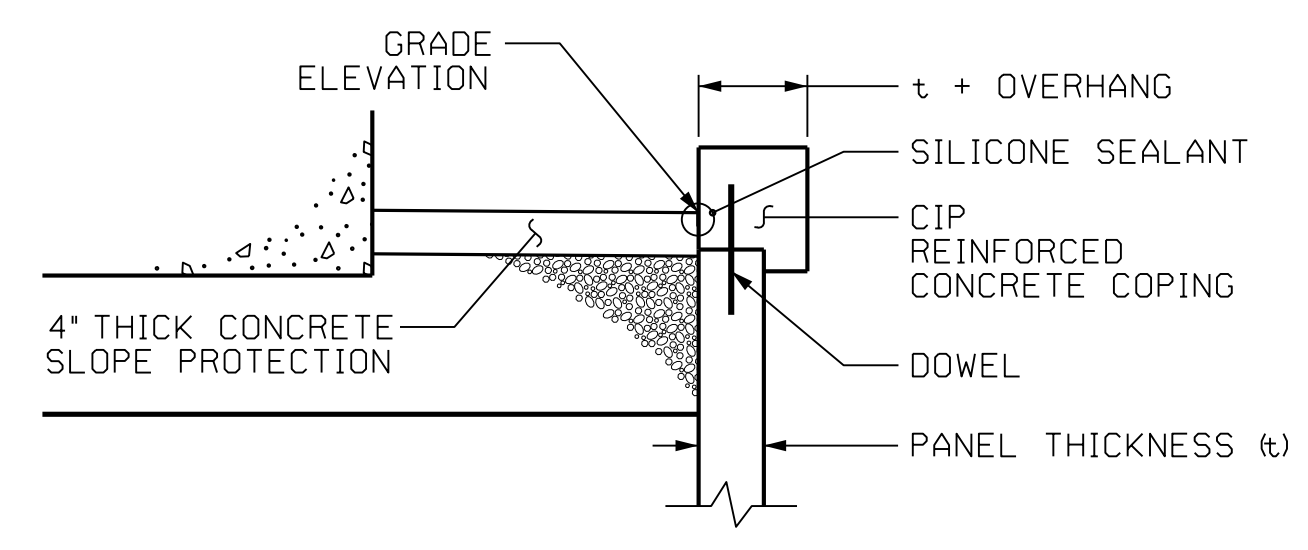
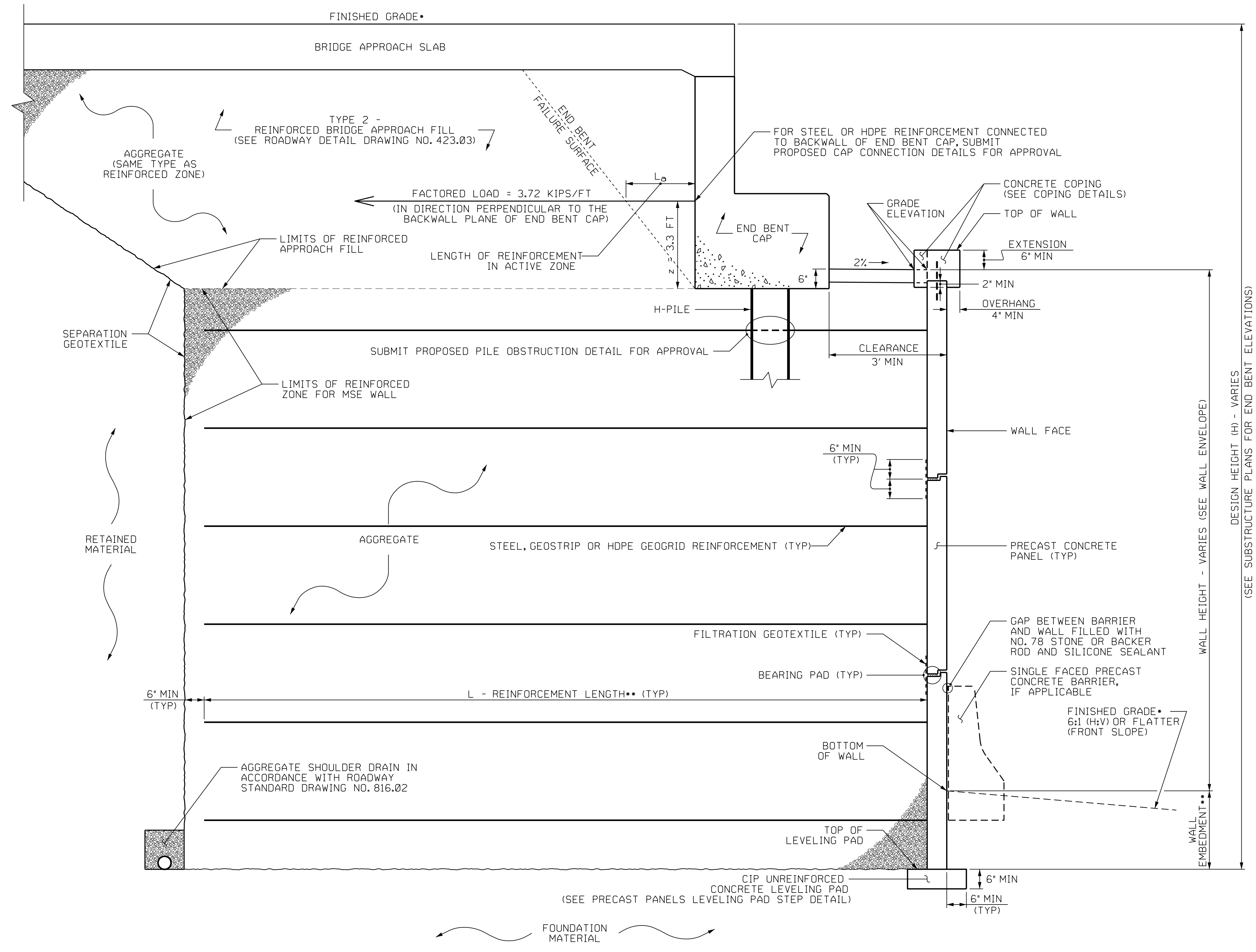
ENGINEER



DocuSigned by: *M. H. Stephens* 01/03/2024

C447682092314CC SIGNATURE DATE SIGNATURE DATE

**DOCUMENT NOT CONSIDERED FINAL
UNLESS ALL SIGNATURES COMPLETED**



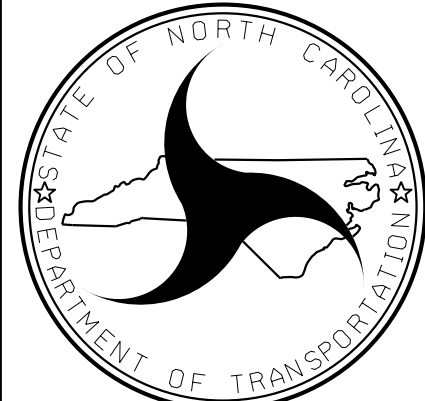
COPING DETAILS

AT THE CONTRACTOR'S OPTION, CONNECT COPING TO PANELS WITH DOWELS OR EXTEND COPING DOWN BACK OF PANELS.

MSE ABUTMENT WALL WITH PRECAST PANELS - TYPICAL SECTION

•SEE ROADWAY PLANS FOR FINISHED GRADE DETAILS.
••SEE MSE RETAINING WALLS PROVISION AND IF APPLICABLE,
MSE WALL NOTES FOR WALL EMBEDMENT AND REINFORCEMENT LENGTH REQUIREMENTS.

PROJECT NO.: 55041.1:1 (HB-0004)
HAYWOOD COUNTY
STATION:
SHEET 3 OF 5



NORTH CAROLINA
DEPARTMENT OF TRANSPORTATION
DIVISION OF HIGHWAYS

GEOTECHNICAL
ENGINEERING UNIT

MSE RETAINING WALL NOS.
1 AND 2, TYPICAL SECTION
AND DETAILS

REVISIONS					
NO.	BY	DATE	NO.	BY	DATE
1			3		
2			4		

PREPARED BY: MHS	DATE: 1/24
REVIEWED BY: ENW/SCC	DATE: 1/24

SHEET NO. W-3