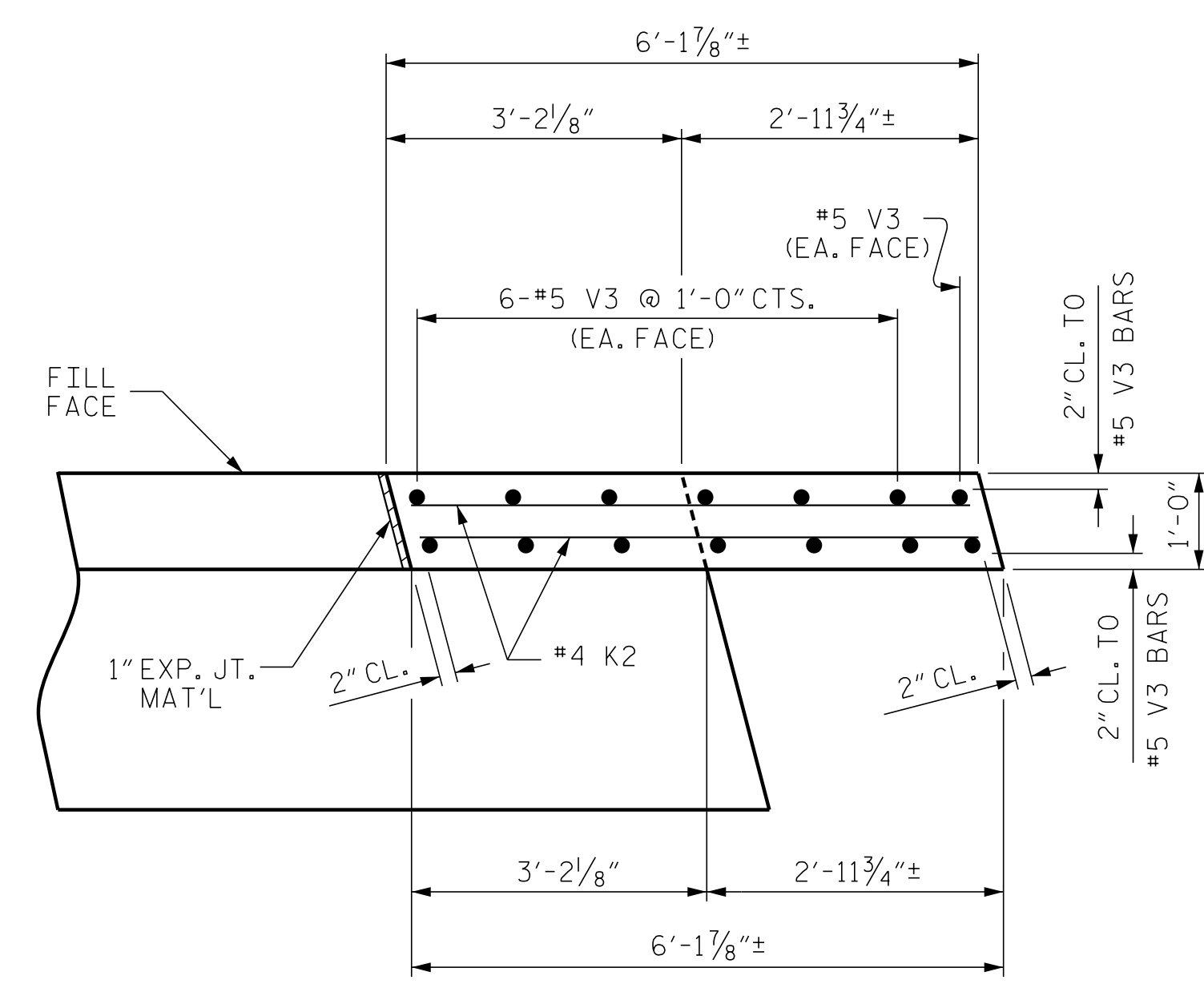
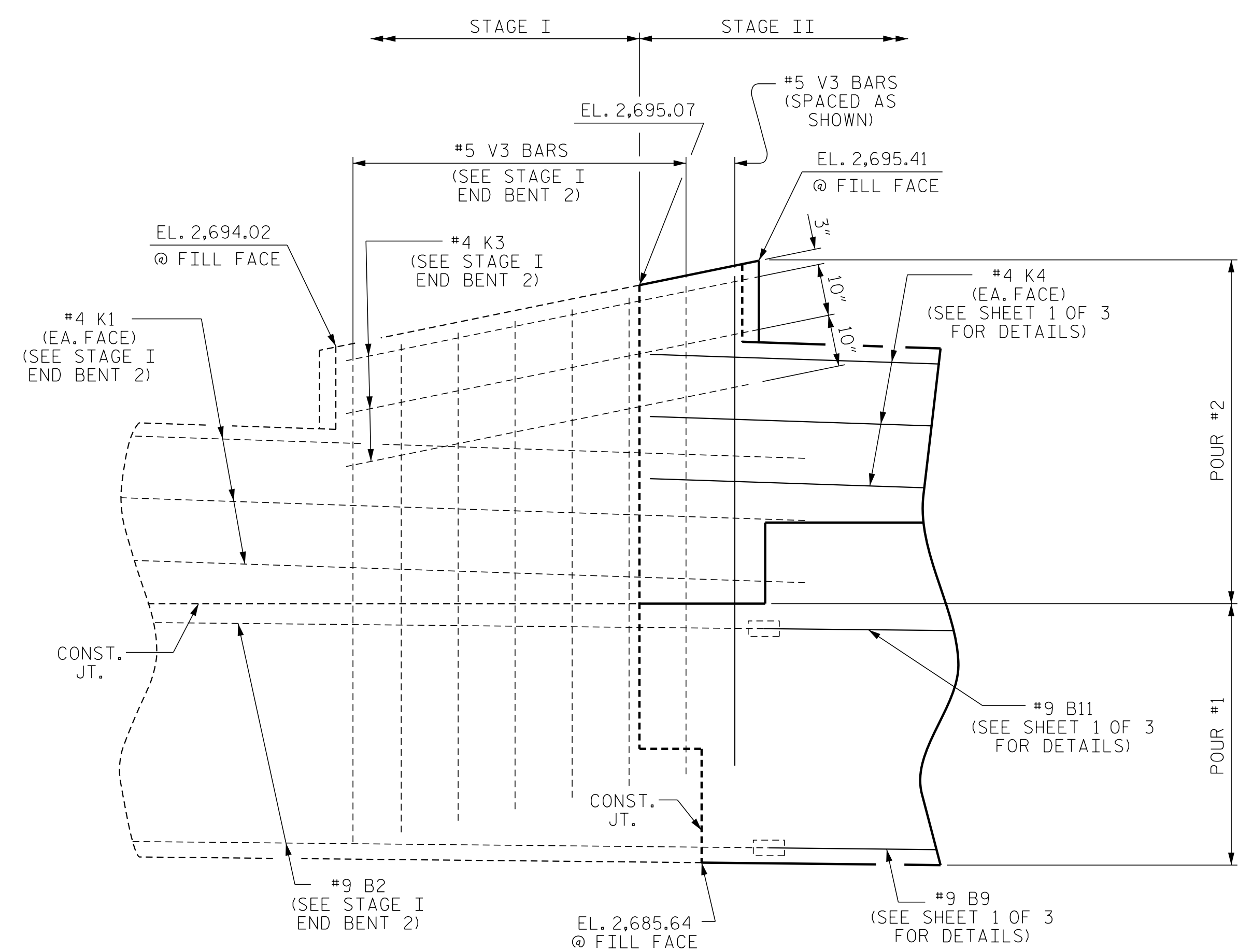


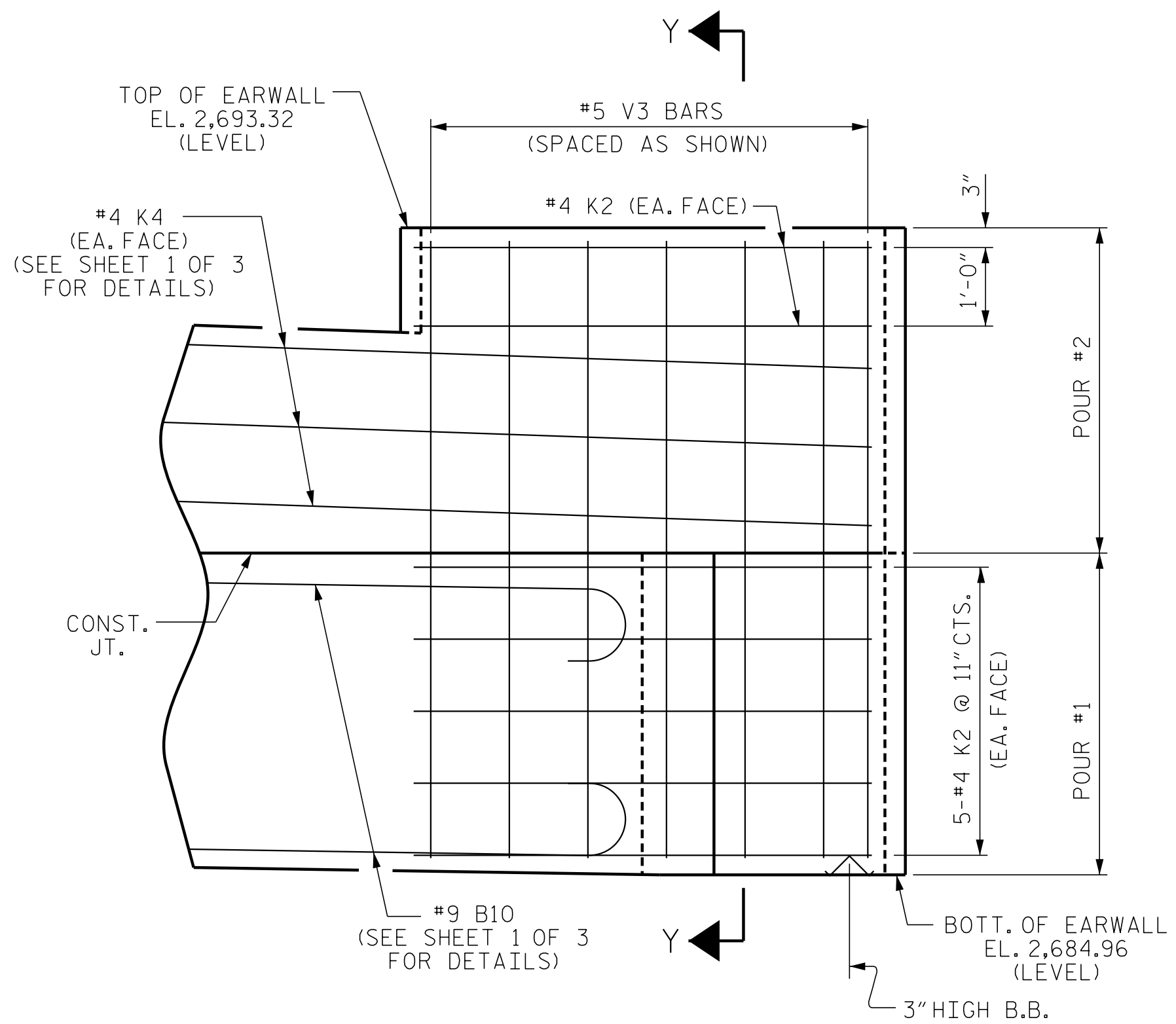
PLAN OF CENTER RAISED BACKWALL



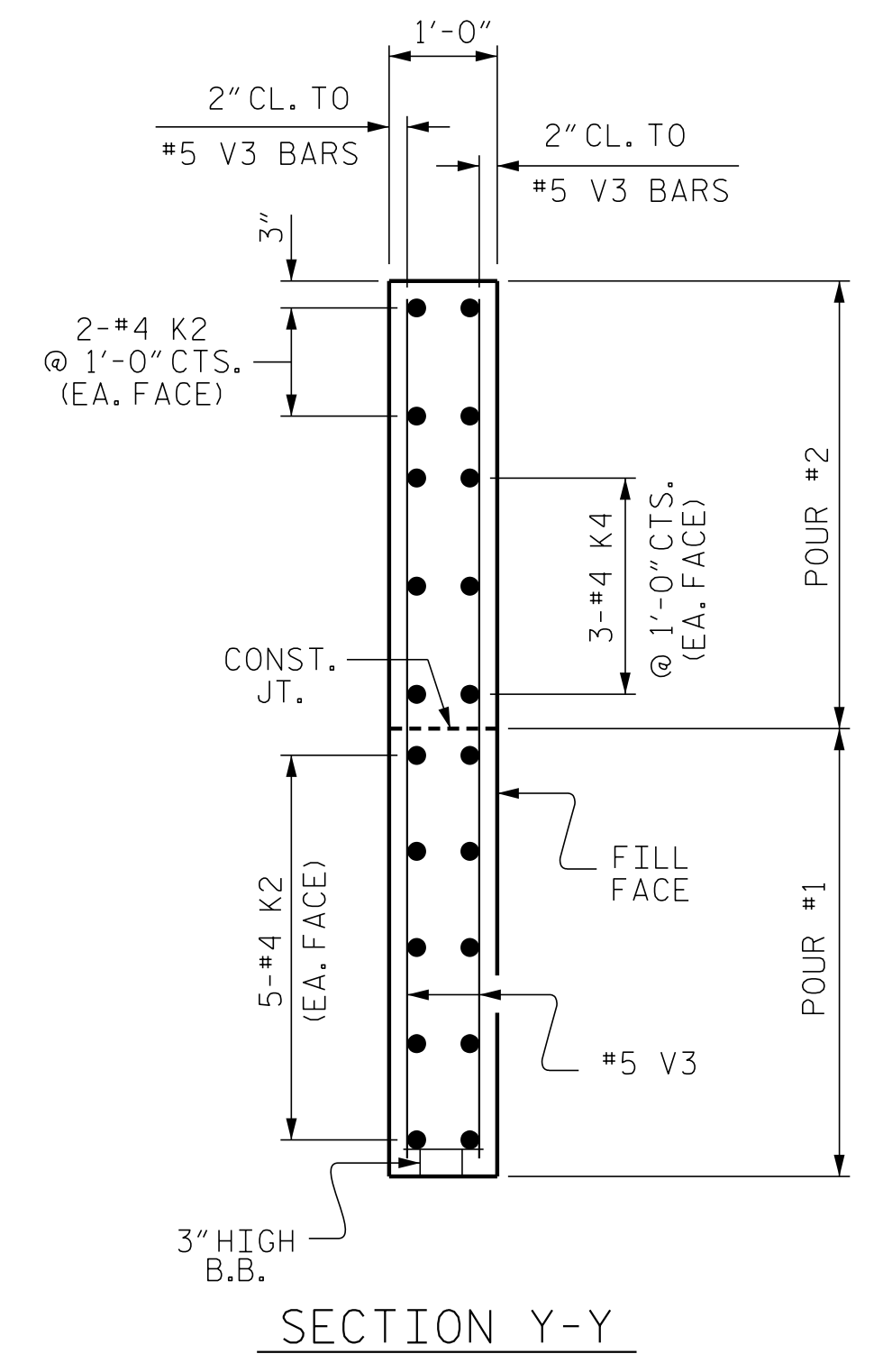
PLAN OF RIGHT EARWALL



ELEVATION OF CENTER RAISED BACKWALL

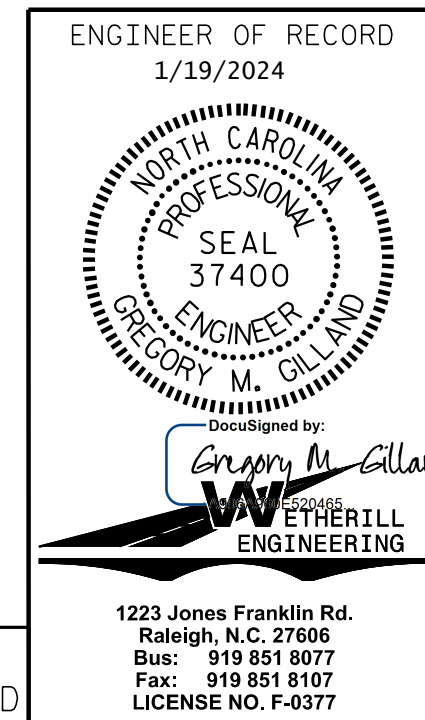


ELEVATION OF RIGHT EARWALL



SECTION Y-Y

PROJECT NO. HB-0004  
 HAYWOOD COUNTY  
 STATION: 254+73.75 -L-  
 SHEET 2 OF 3



STATE OF NORTH CAROLINA DEPARTMENT OF TRANSPORTATION RALEIGH					
SUBSTRUCTURE END BENT No. 2 (RIGHT LANE) (STAGE II)					
REVISIONS					
NO.	BY:	DATE:	NO.	BY:	DATE:
1			3		
2			4		
SHEET NO. S2-25					TOTAL SHEETS 58

DRAWN BY: D. HODGE DATE: 7/23  
 CHECKED BY: G. GILLAND DATE: 9/23

DOCUMENT NOT CONSIDERED FINAL  
 UNLESS ALL SIGNATURES COMPLETED

P:\2023\2312401-HB-0004-Structures\03\HB-0004 (LEFT LANE)\HB0004-LEFT-EB.dgn  
 1/19/2024 7:13:54 AM