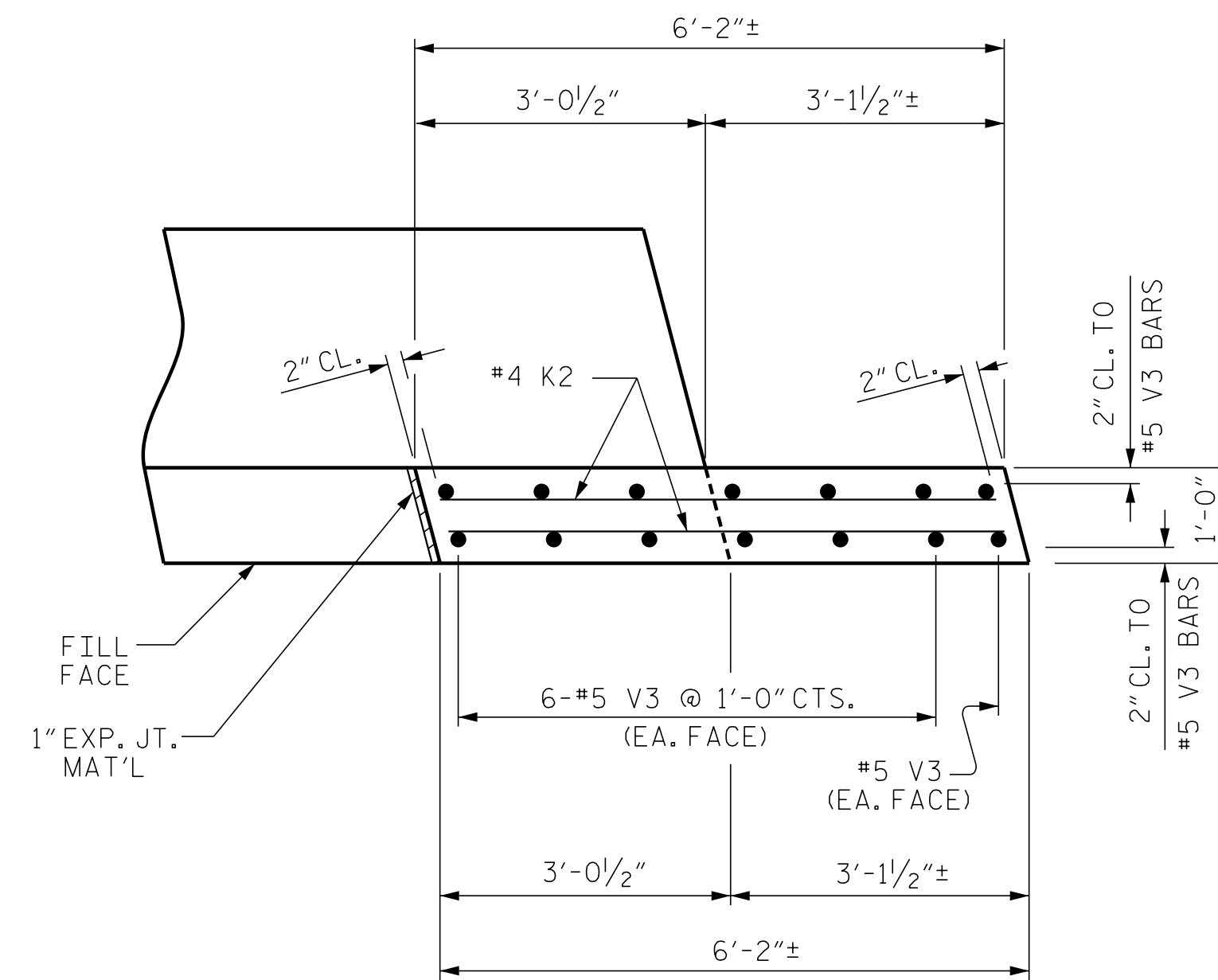
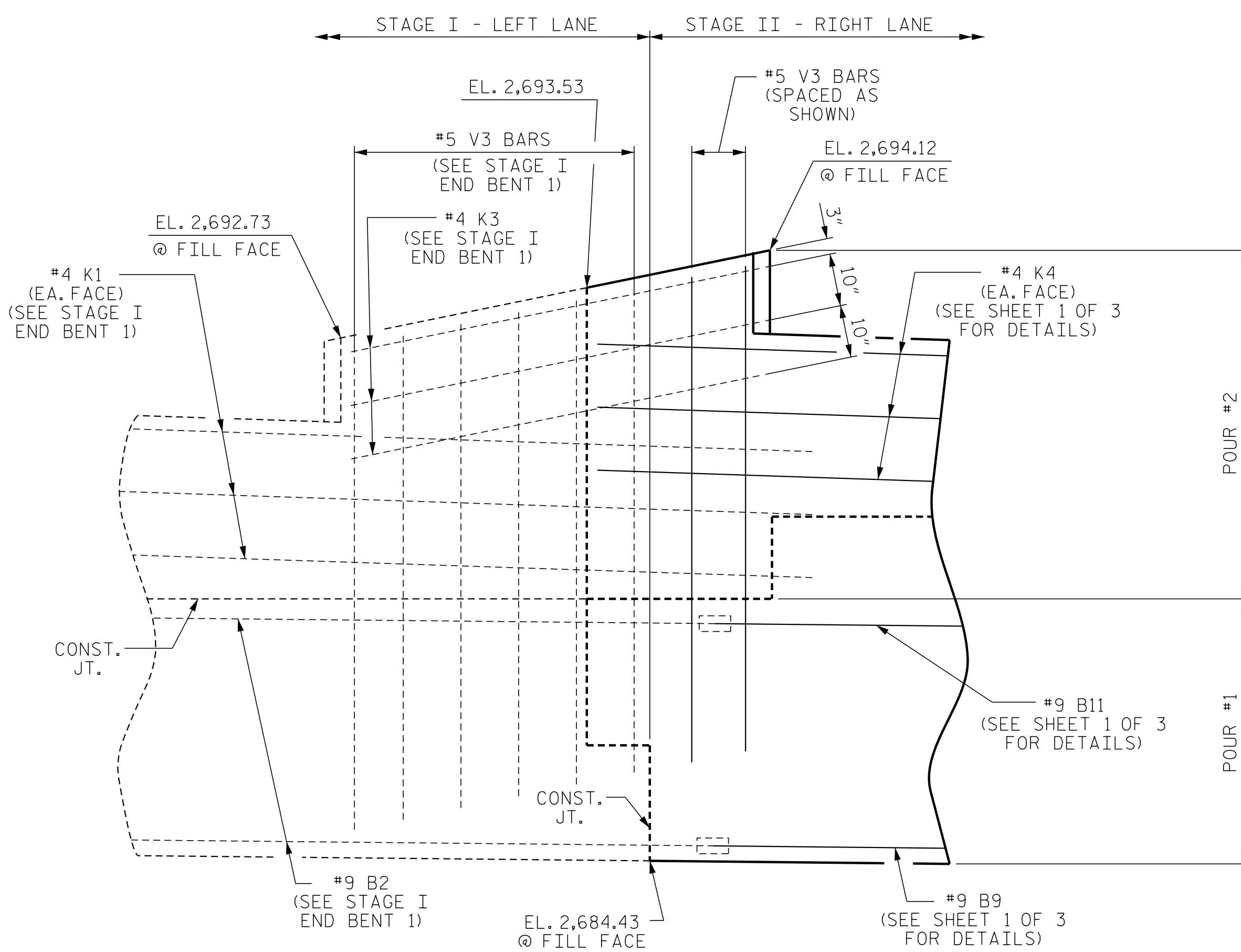


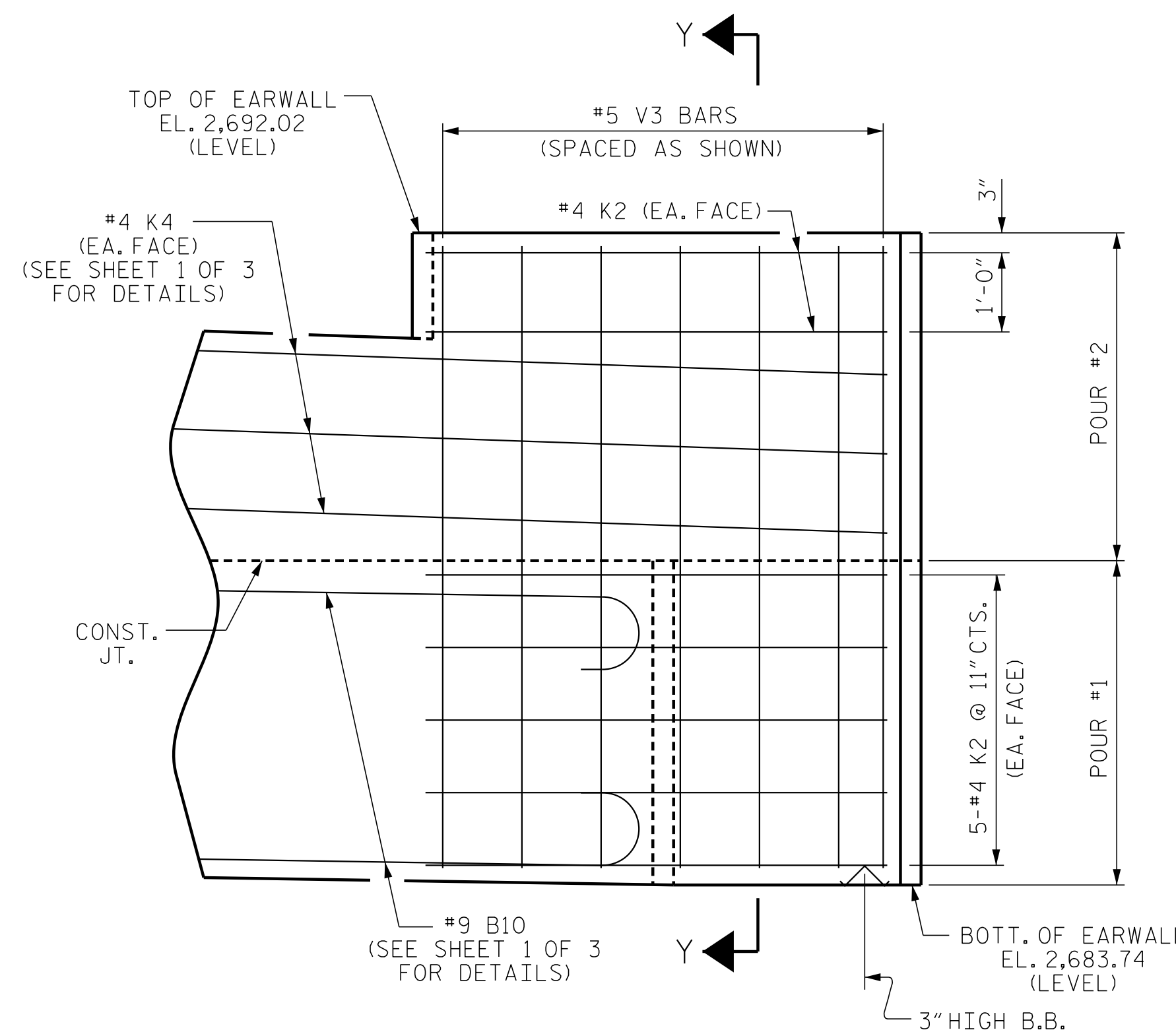
PLAN OF CENTER RAISED BACKWALL



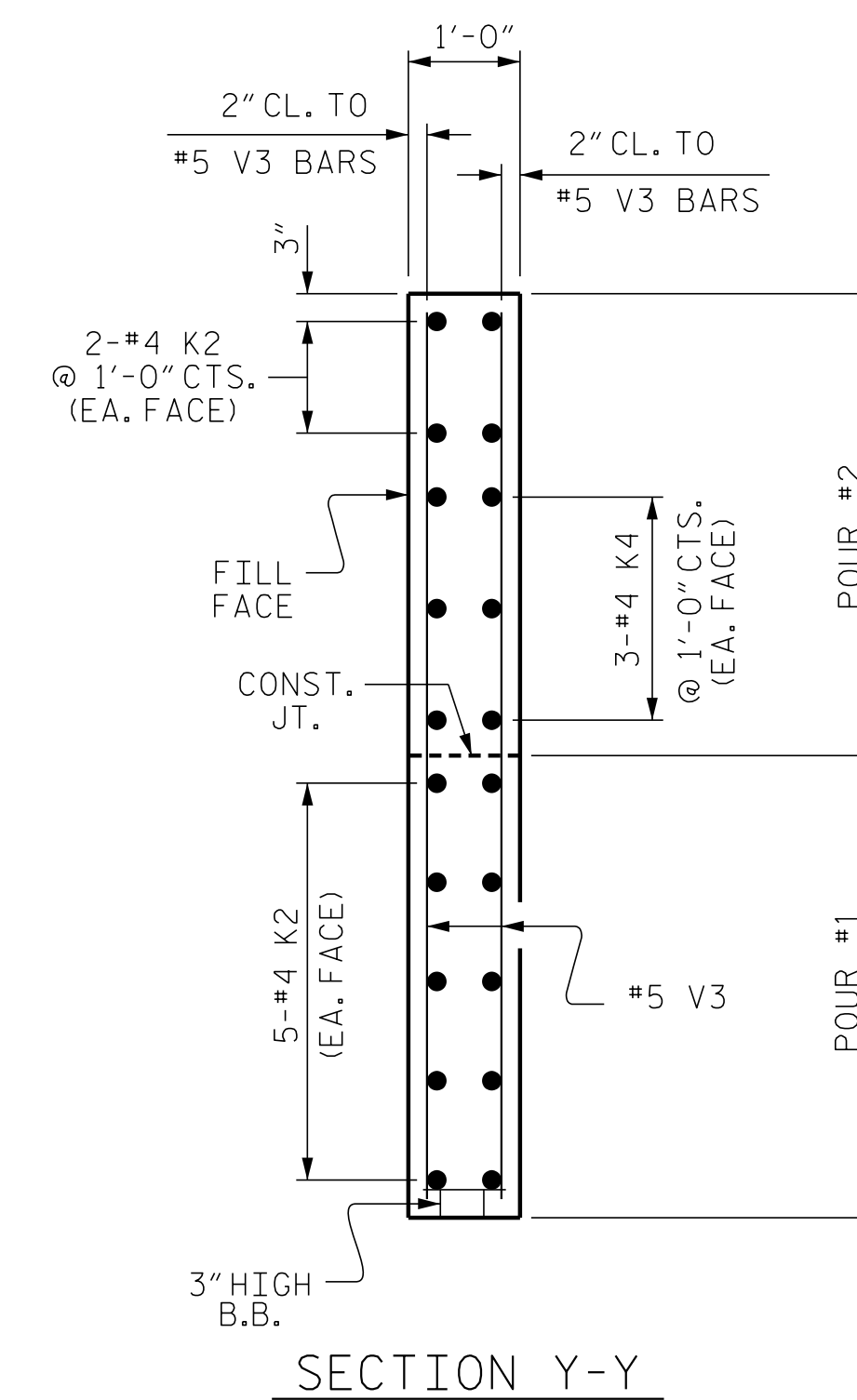
PLAN OF RIGHT EARWALL



ELEVATION OF CENTER RAISED BACKWALL



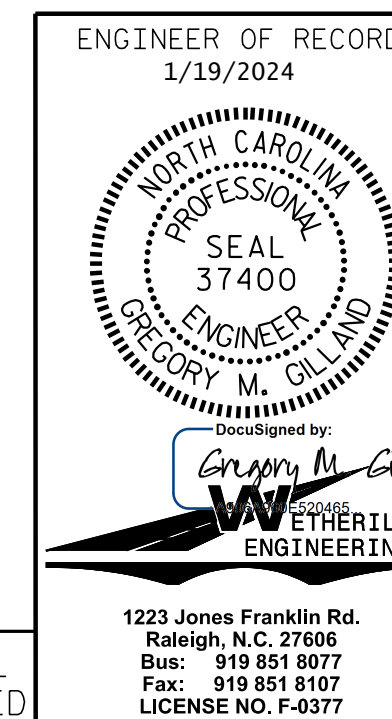
ELEVATION OF RIGHT EARWALL



SECTION Y-Y

PROJECT NO. HB-0004  
HAYWOOD COUNTY  
 STATION: 254+73.75 -L-

SHEET 2 OF 3



STATE OF NORTH CAROLINA  
 DEPARTMENT OF TRANSPORTATION  
 RALEIGH  
 SUBSTRUCTURE  
 END BENT No. 1  
 (RIGHT LANE)  
 (STAGE II)

| REVISIONS |     |       |     |     |       | SHEET NO.    |
|-----------|-----|-------|-----|-----|-------|--------------|
| NO.       | BY: | DATE: | NO. | BY: | DATE: | S2-22        |
| 1         |     |       | 3   |     |       | TOTAL SHEETS |
| 2         |     |       | 4   |     |       | 58           |

DRAWN BY: D. HODGE DATE: 7/23  
 CHECKED BY: G. GILLAND DATE: 9/23

DOCUMENT NOT CONSIDERED FINAL  
 UNLESS ALL SIGNATURES COMPLETED

1223 Jones Franklin Rd.  
 Raleigh, N.C. 27606  
 Bus: 919 851 8077  
 Fax: 919 851 8107  
 LICENSE NO. F-0377

P:\2023\23124\01\_HB-0004\_Structures\03\HB-0004 (LEFT LANE)\HB0004-LEFT-EB.dgn  
 1/19/2024 7:11:20 AM