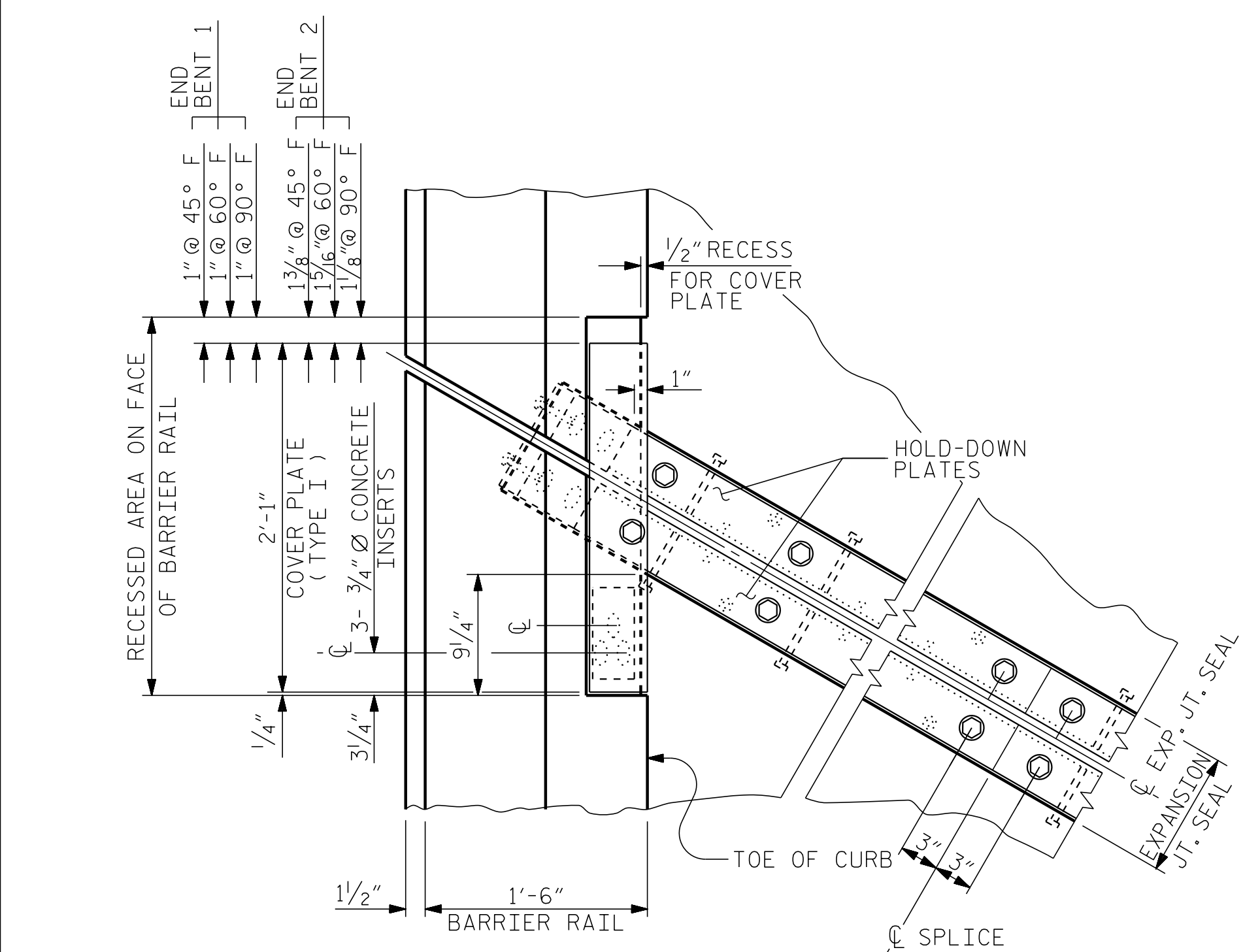
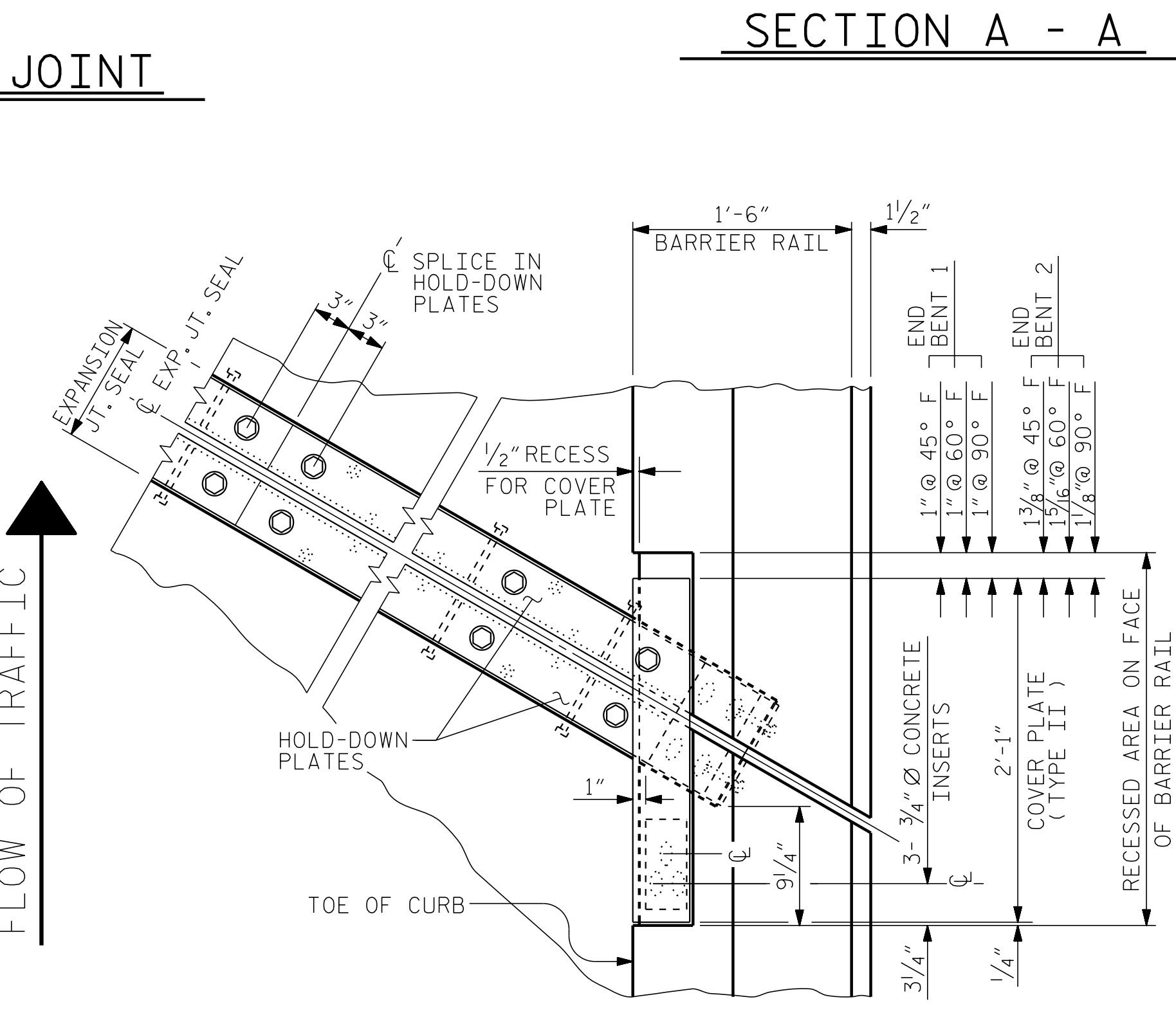


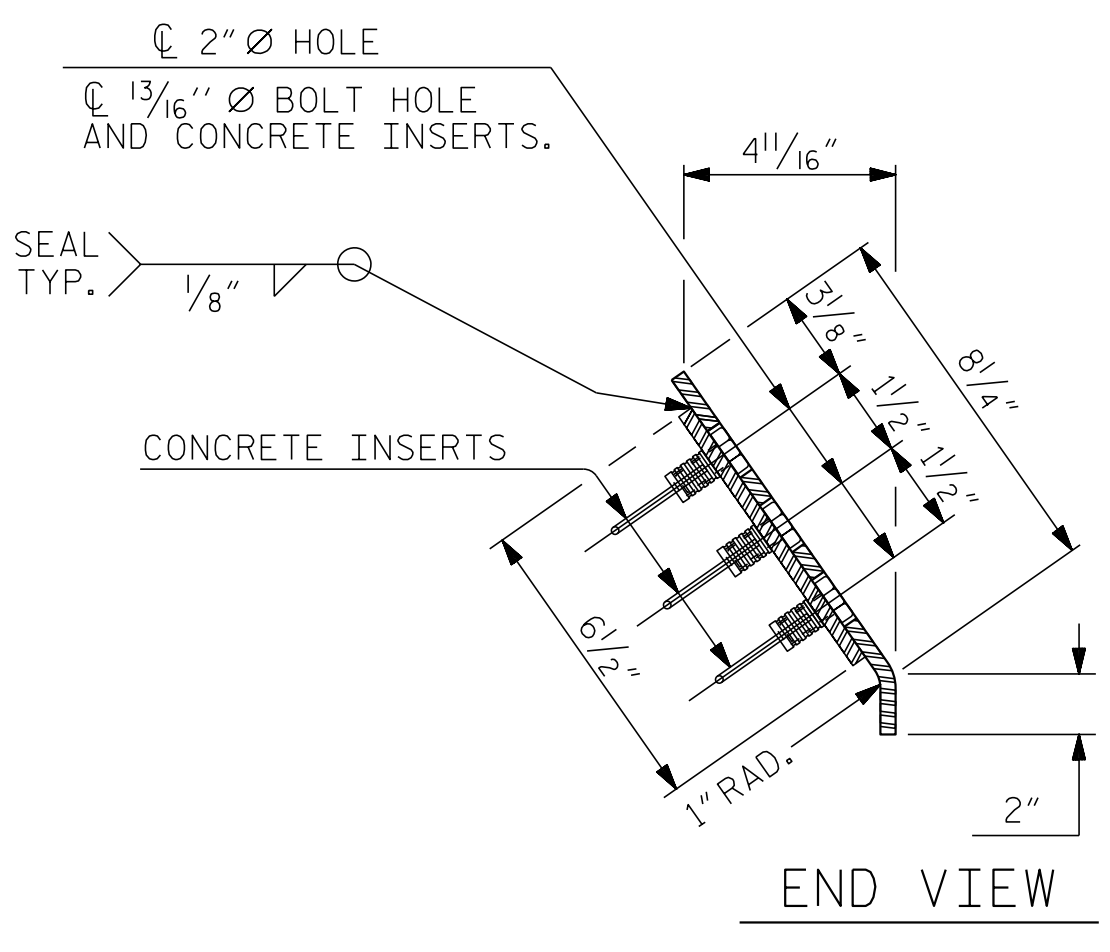
SECTION THRU RAIL NORMAL TO JOINT



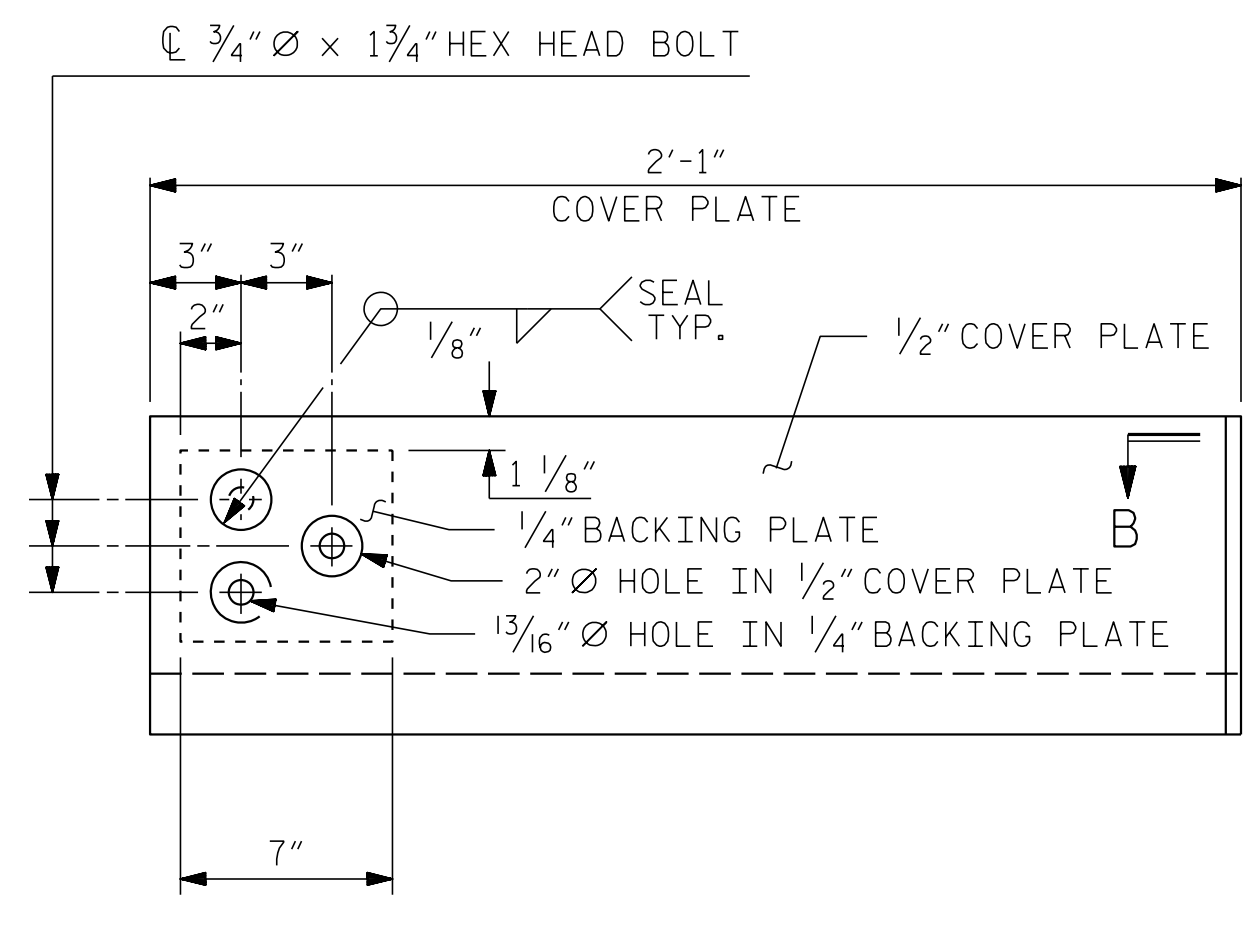
PLAN OF EXPANSION JOINT SEAL



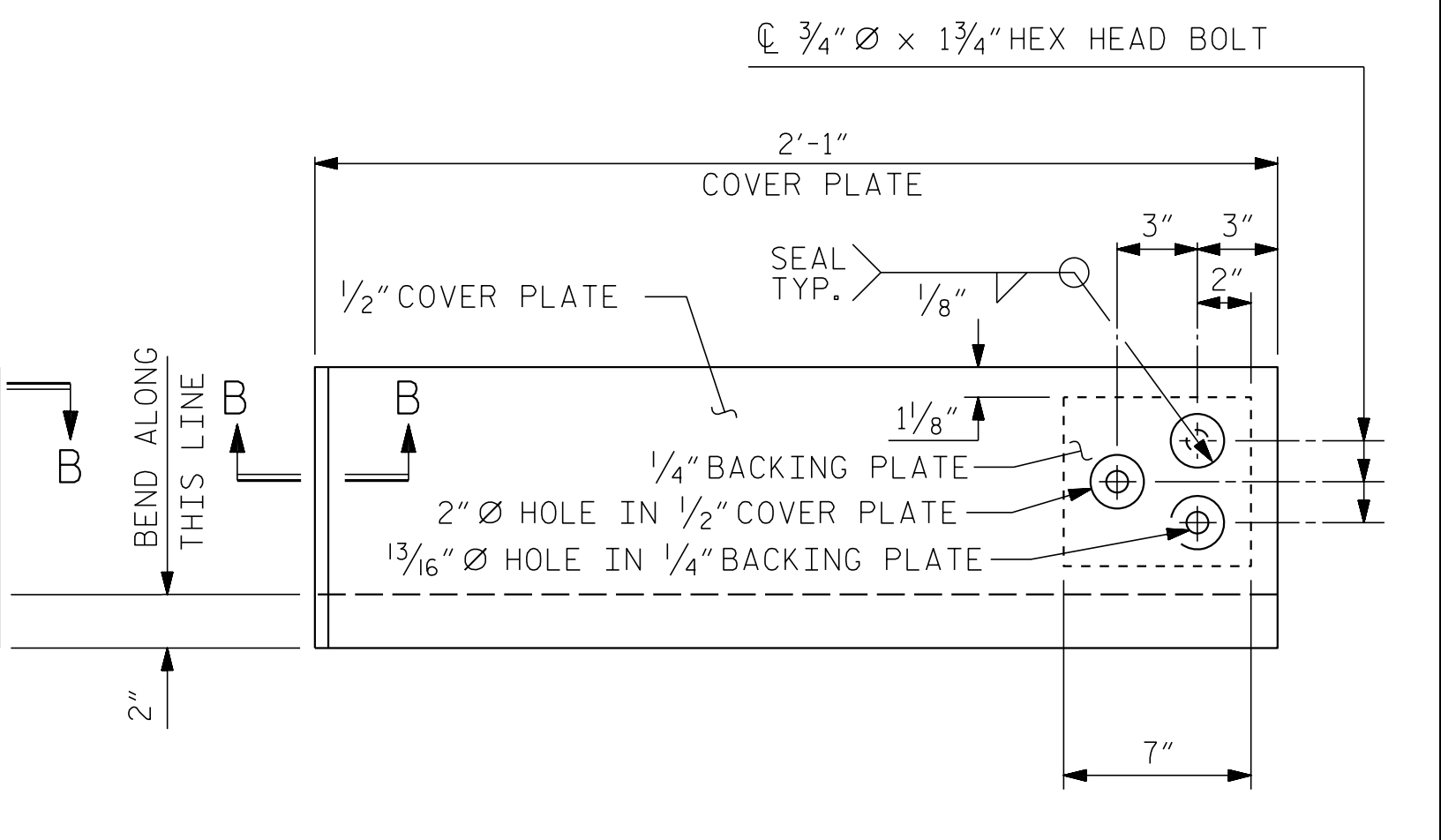
SECTION A - A



END VIEW

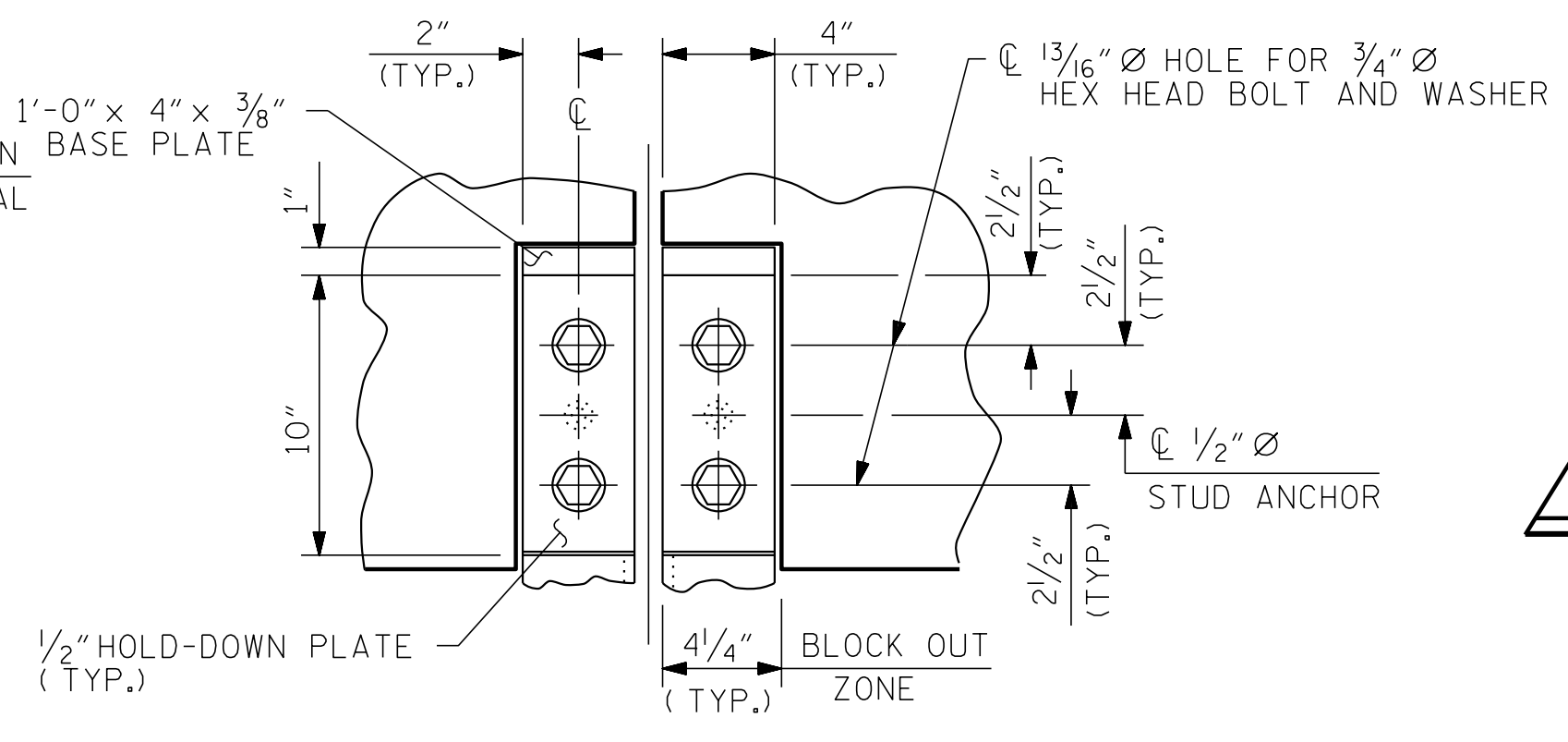


TYPE I - ELEVATION VIEW

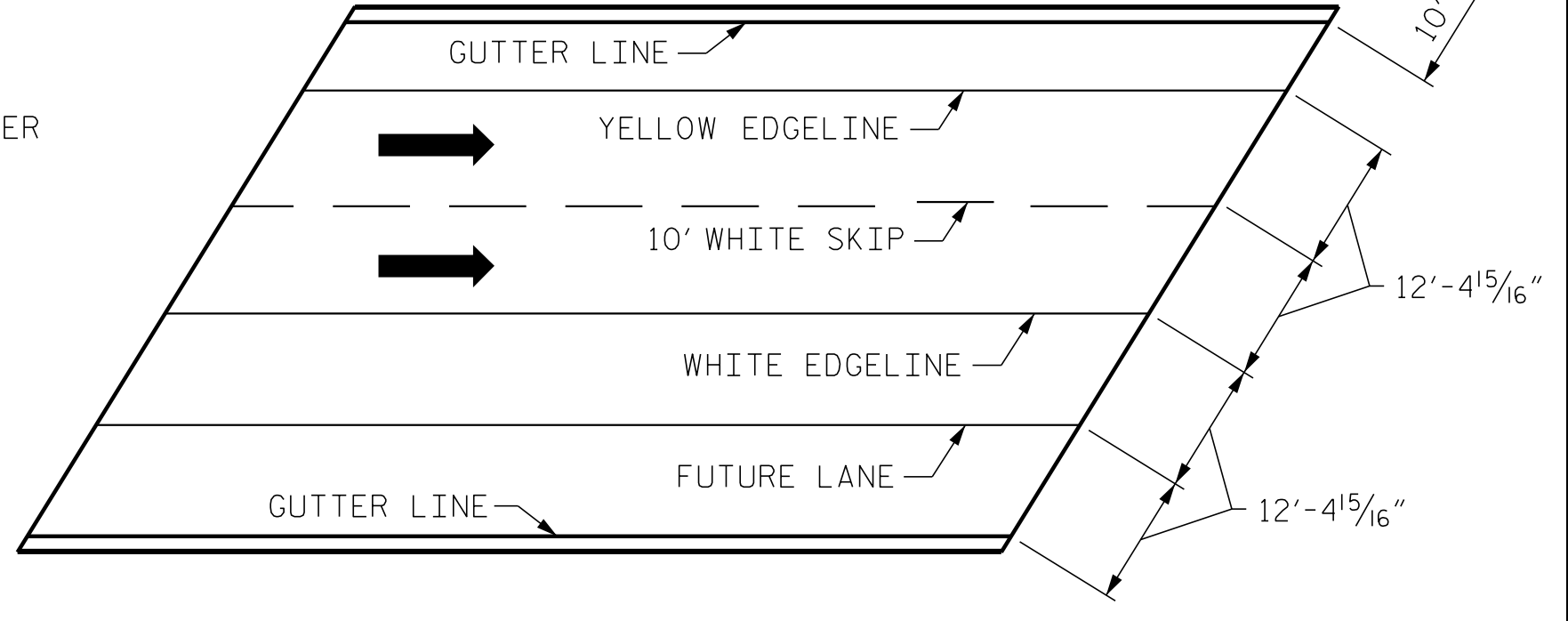


TYPE II - ELEVATION VIEW

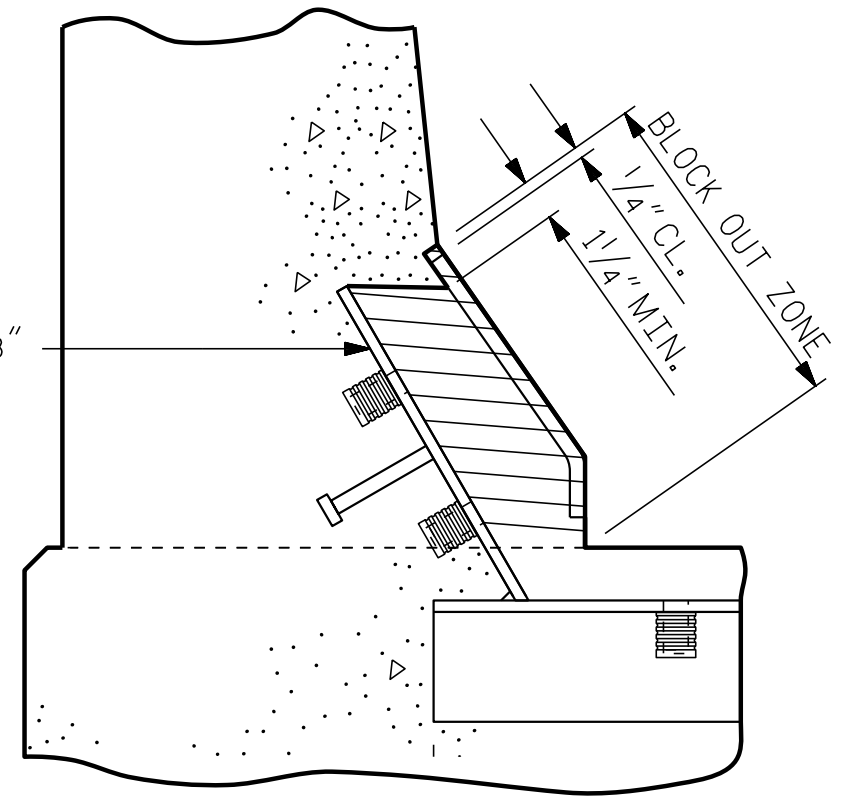
COVER PLATE DETAILS



SECTION B - B

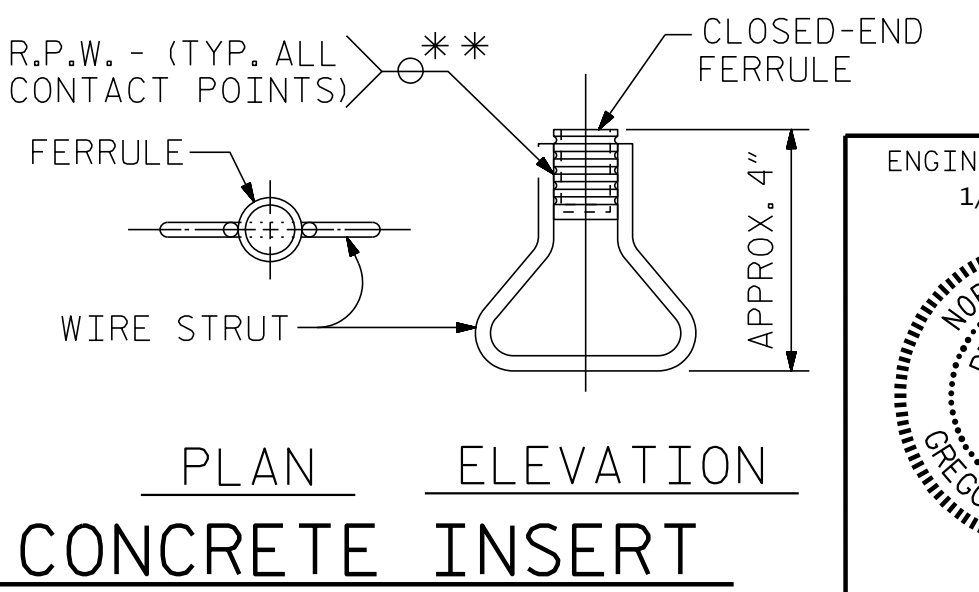


PAVEMENT MARKING ALIGNMENT



BLOCK OUT DETAIL

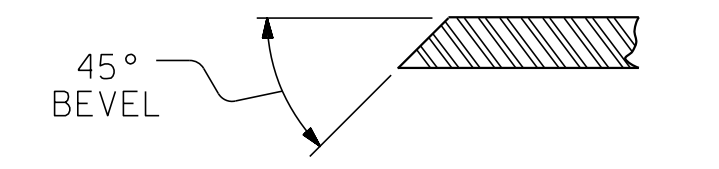
SEE "SECTION A - A" FOR OTHER DETAILS.



CONCRETE INSERT

** EACH WELDED ATTACHMENT OF WIRE TO FERRULE SHALL DEVELOP THE TENSILE STRENGTH OF THE WIRE.

DOCUMENT NOT CONSIDERED FINAL UNLESS ALL SIGNATURES COMPLETED



SECTION B - B

PROJECT NO. HB-0004
HAYWOOD COUNTY
 STATION: 254+73.75 -L-
 SHEET 2 OF 2

ENGINEER OF RECORD
 1/19/2024

 Gregory M. Gilliland
 WETHERILL ENGINEERING
 1223 Jones Franklin Rd.
 Raleigh, N.C. 27606
 Bus: 919 851 8077
 Fax: 919 851 8107
 License No. F-0377

STATE OF NORTH CAROLINA DEPARTMENT OF TRANSPORTATION RALEIGH					
STANDARD EXPANSION JOINT SEAL DETAILS FOR BARRIER RAIL (RIGHT LANE)					
REVISIONS					
NO.	BY:	DATE:	NO.	BY:	DATE:
1			3		
2			4		

SHEET NO. S2-19				
TOTAL SHEETS 58				

ASSEMBLED BY : D. HODGE	DATE : 7/23
CHECKED BY : J. DILWORTH	DATE : 9/23
DRAWN BY : REK 9/87	REV. 7/12 MAA/GM
CHECKED BY : CRK 10/87	REV. 6/13 MAA/GM
	REV. 12/17 MAA/THC

PA:20232312401-HB-0004-Structures\03\HB-0004 (R.IGHT LANE)\HB0004-RIGHT-JS.dgn
 1/19/2024 7:07:00 AM