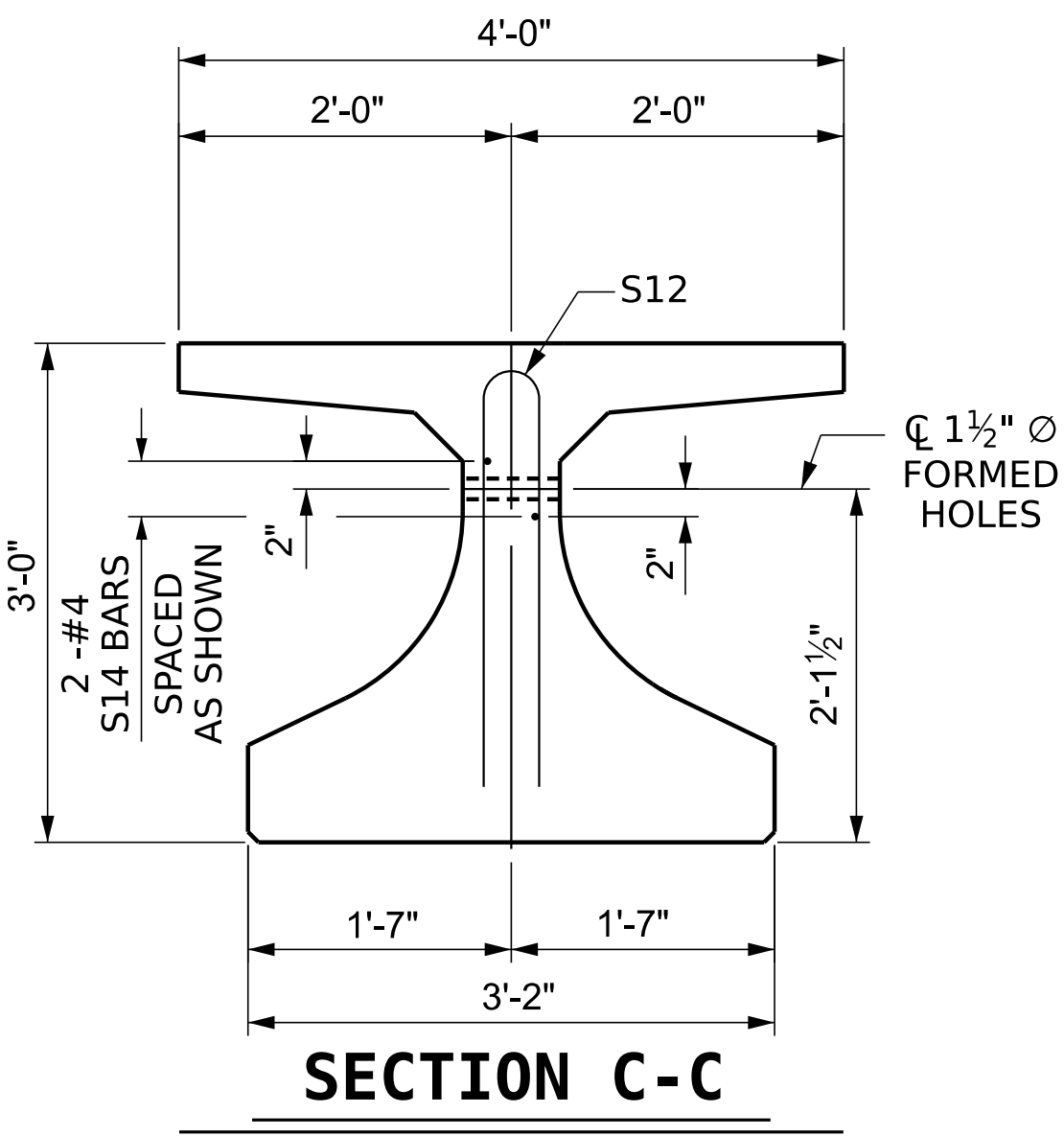
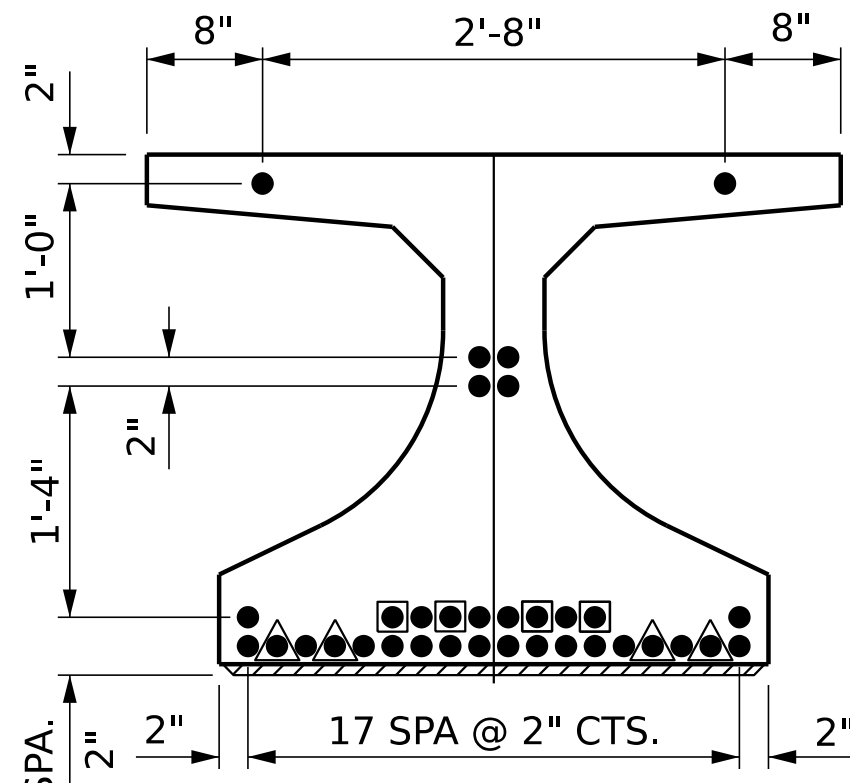


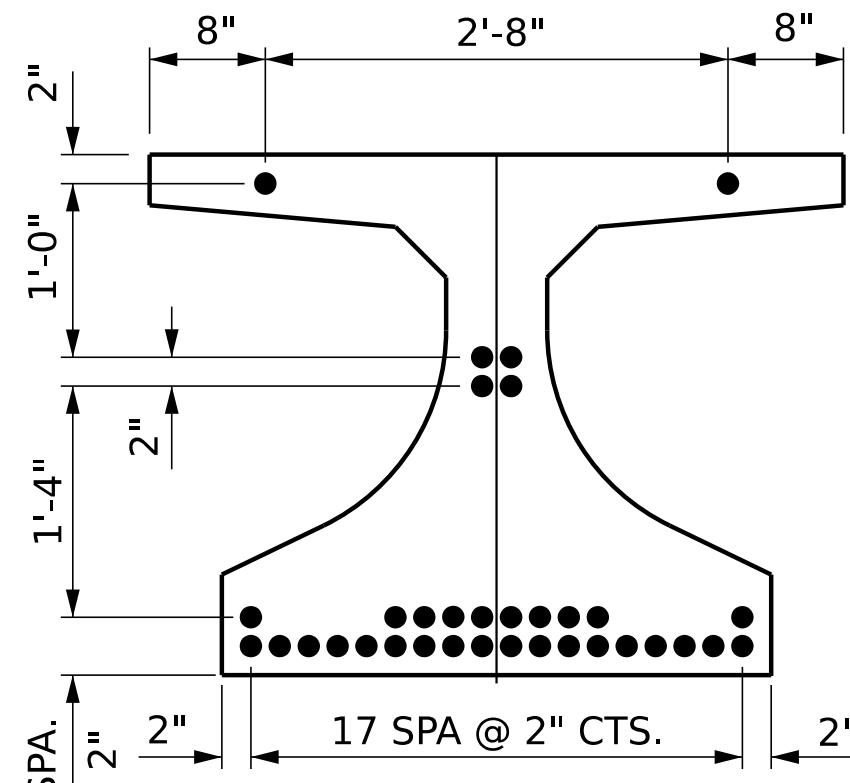
SECTION A-A



SECTION C-C
(S8 AND S10 BARS NOT SHOWN)



AT END OF GIRDER

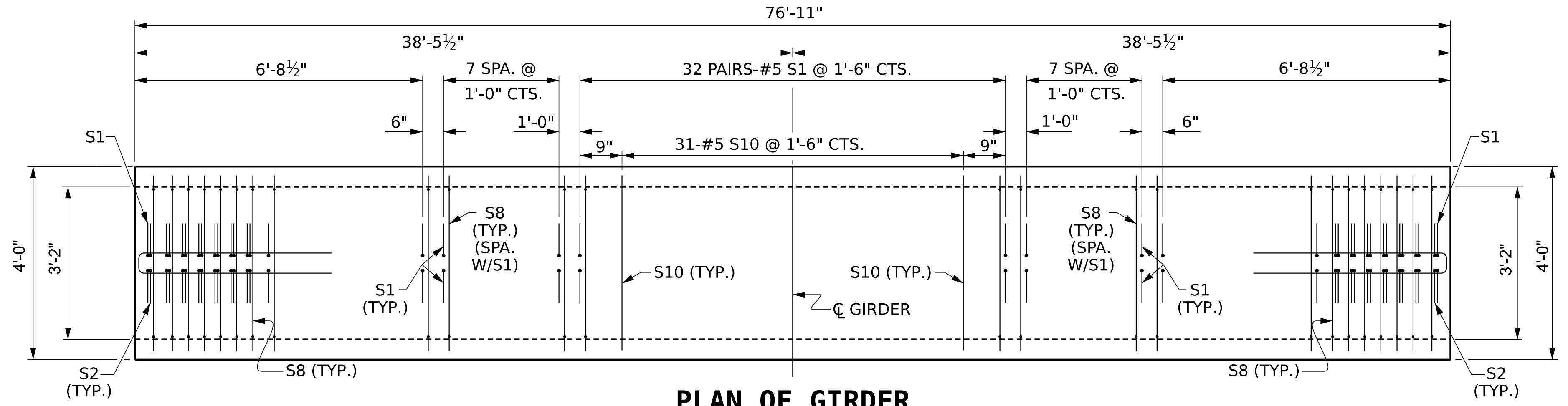


AT C OF GIRDER

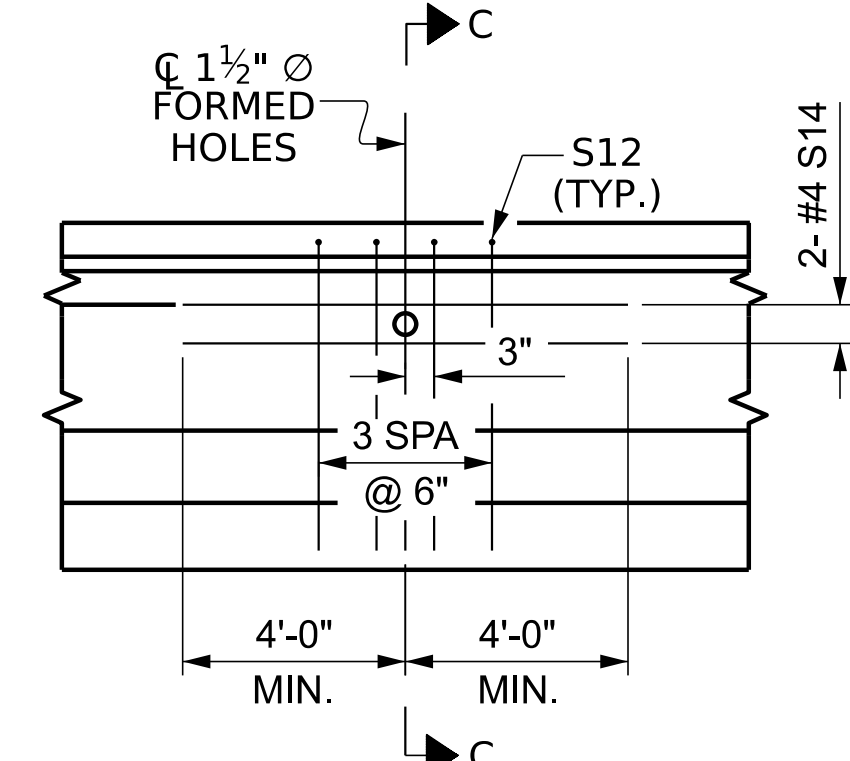
0.6" Ø LOW RELAXATION STRAND LAYOUT

DEBONDING LEGEND

- FULLY BONDED STRANDS
- ◻ STRANDS DEBONDED FOR 6'-0" FROM END OF GIRDER
- ▲ STRANDS DEBONDED FOR 8'-0" FROM END OF GIRDER

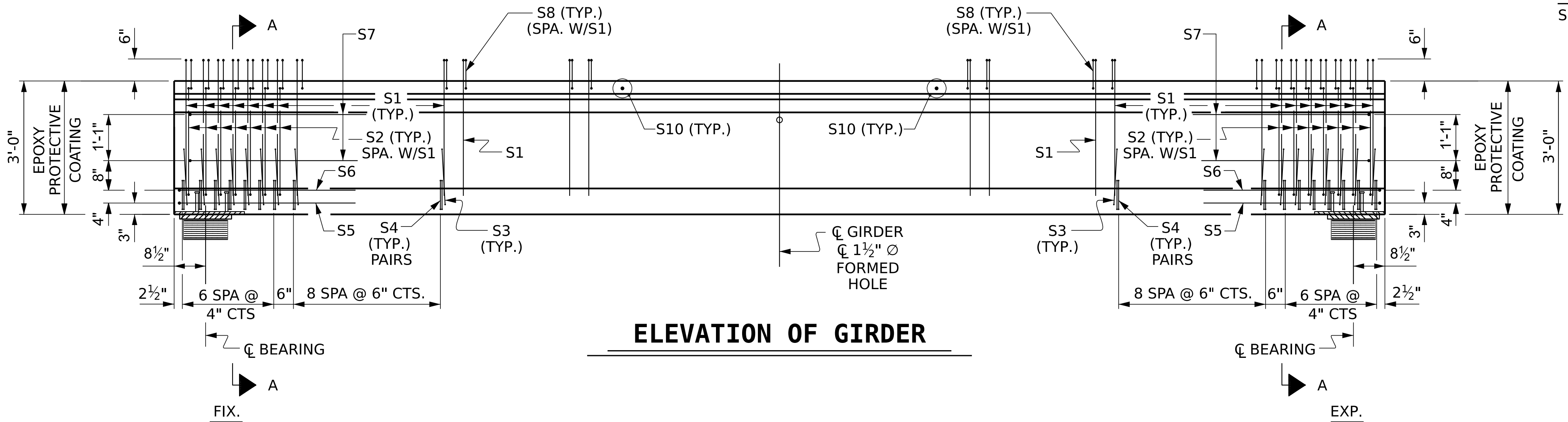


PLAN OF GIRDER



PARTIAL ELEVATION

SHOWING INTERMEDIATE STEEL DIAPHRAGM REINFORCING STEEL FOR GIRDER

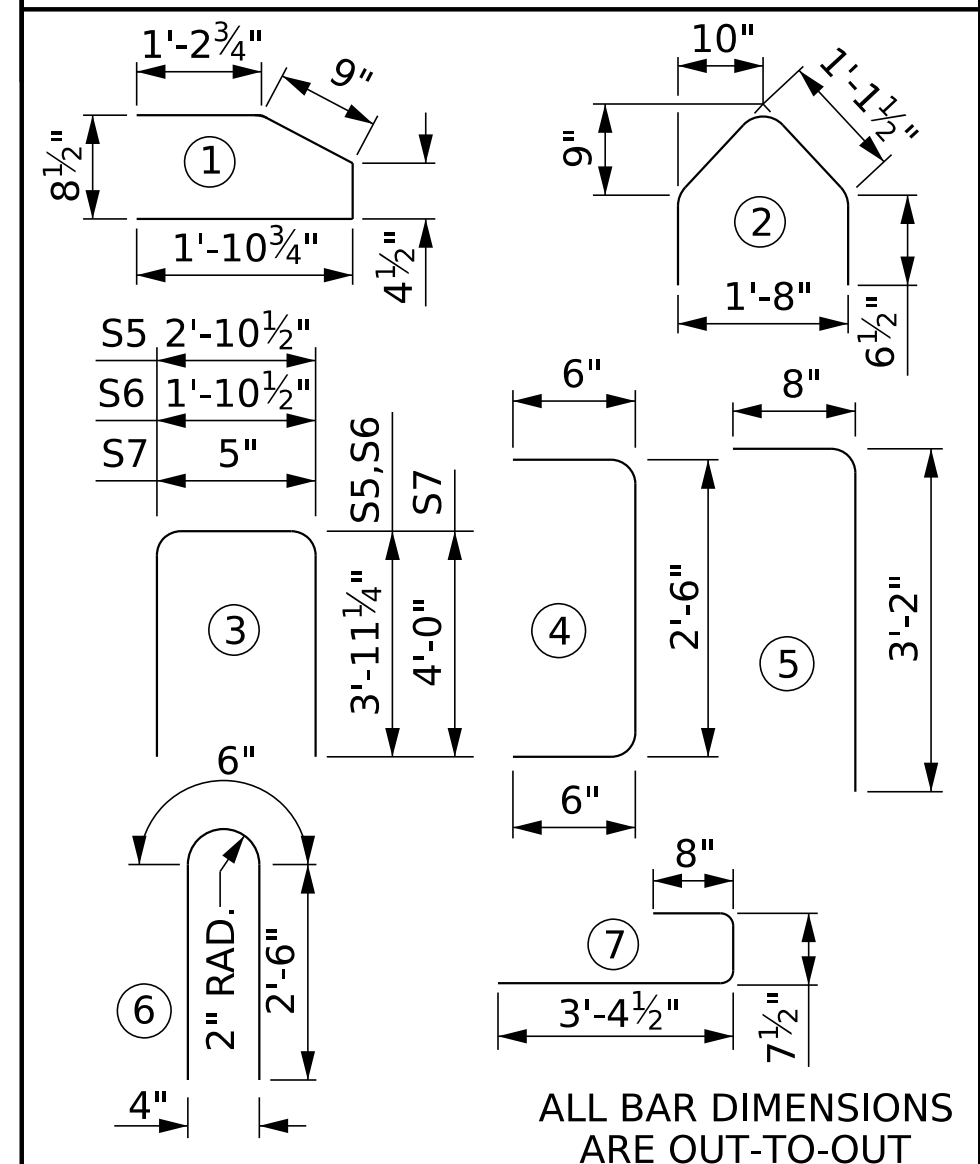


ELEVATION OF GIRDER

0.6" Ø L. R. GRADE 270 STRANDS		
AREA (SQUARE INCHES)	ULTIMATE STRENGTH (LBS. PER STRAND)	APPLIED PRESTRESS (LBS. PER STRAND)
0.217	58,600	43,950

REINFORCING STEEL FOR ONE GDR					
BAR	NUMBER	SIZE	TYPE	LENGTH	WEIGHT
S1	160	#5	5	3'-10"	640
S2	28	#5	4	3'-6"	102
S3	32	#3	2	3'-4"	40
S4	64	#3	1	4'-3"	102
S5	2	#5	3	10'-9"	22
S6	2	#5	3	9'-9"	20
S7	4	#4	3	8'-5"	22
S8	160	#5	7	4'-8"	779
S10	31	#5	STR	3'-8"	119
S12	4	#5	6	5'-6"	23
S14	2	#4	STR	8'-0"	11

BAR TYPES



ALL BAR DIMENSIONS ARE OUT-TO-OUT

QUANTITIES FOR ONE GIRDER

REINFORCING STEEL	7,500 PSI CONCRETE	0.6" Ø L.R. STRANDS
LB.	C.Y.	No.
1,880	15.9	34

GIRDERS REQUIRED		
NUMBER	LENGTH	TOTAL LENGTH
7	76'-11"	538.42

PROJECT NO. HB-0004
HAYWOOD COUNTY
 STATION: 254+73.75 -L-
 SHEET 1 OF 3



STATE OF NORTH CAROLINA
 DEPARTMENT OF TRANSPORTATION
 RALEIGH
STANDARD
36" FIB PRESTRESSED CONCRETE GIRDER (RIGHT LANE)

REVISIONS					
NO.	BY:	DATE:	NO.	BY:	DATE:
1			3		
2			4		

SHEET NO.	
S2-11	TOTAL SHEETS 58

ASSEMBLED BY : D. HODGE	DATE : 2/23
CHECKED BY : G. GILLAND	DATE : 8/23
DRAWN BY : BNB 09/21	
CHECKED BY : AAI 09/21	

DOCUMENT NOT CONSIDERED FINAL UNLESS ALL SIGNATURES COMPLETED

1223 Jones Franklin Rd.
 Raleigh, N.C. 27606
 Bus: 919 851 8077
 Fax: 919 851 8107
 LICENSE NO. F-0377

P:\2023\2312401_HB-0004_Structures\03\NHB-0004-RIGHT-PCG.dgn
 1/19/2024 6:49:21 AM