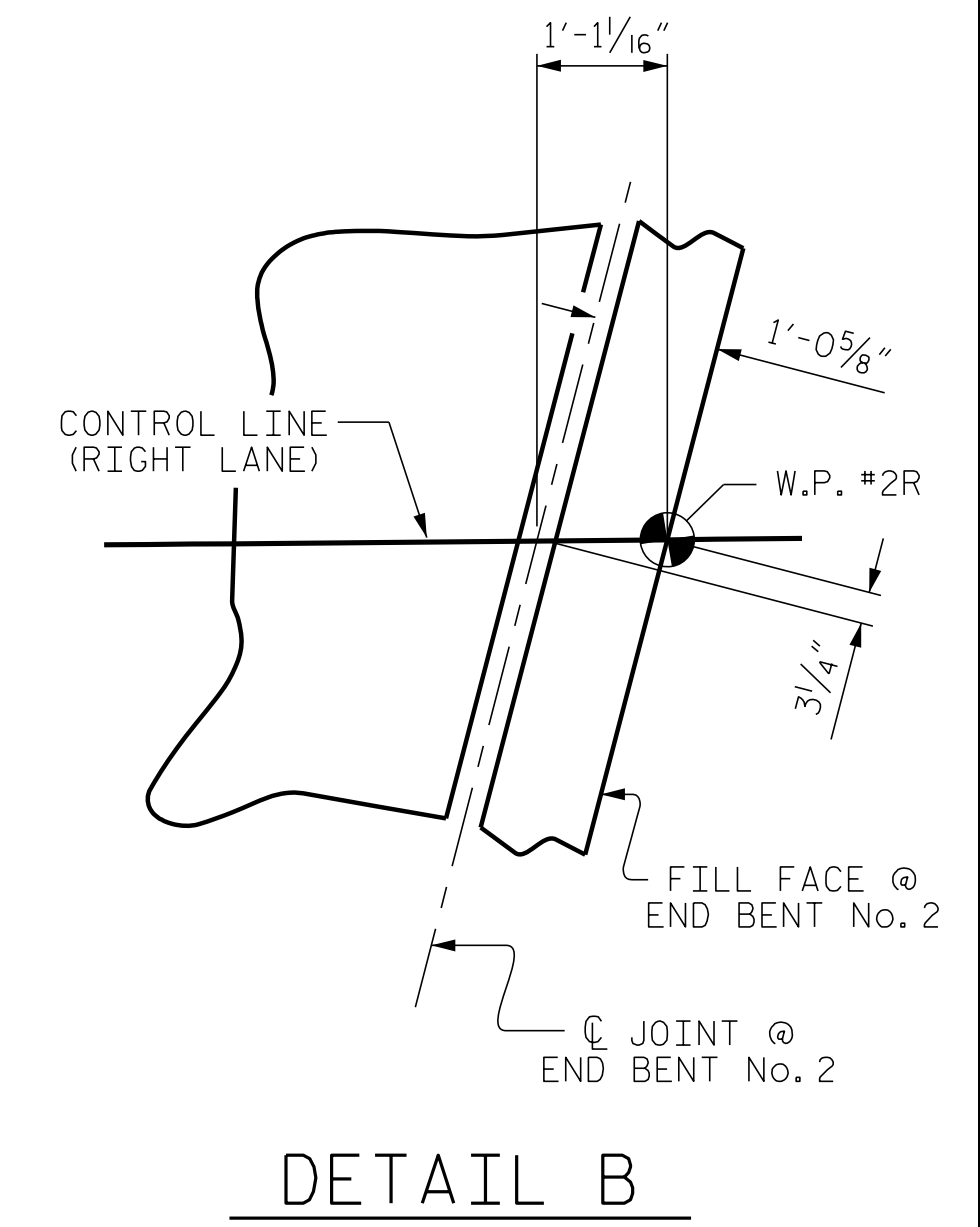


NOTES :
 FOR CONCRETE BARRIER RAIL DETAILS AND REINFORCING STEEL, SEE "CONCRETE BARRIER RAIL" SHEETS.
 FOR LOCATIONS OF INTERMEDIATE STEEL DIAPHRAGMS, SEE "FRAMING PLAN" SHEET.
 #5 "A" BARS ARE PLACED PERPENDICULAR TO CHORD OF -L- AND MEASURED ALONG SAME.



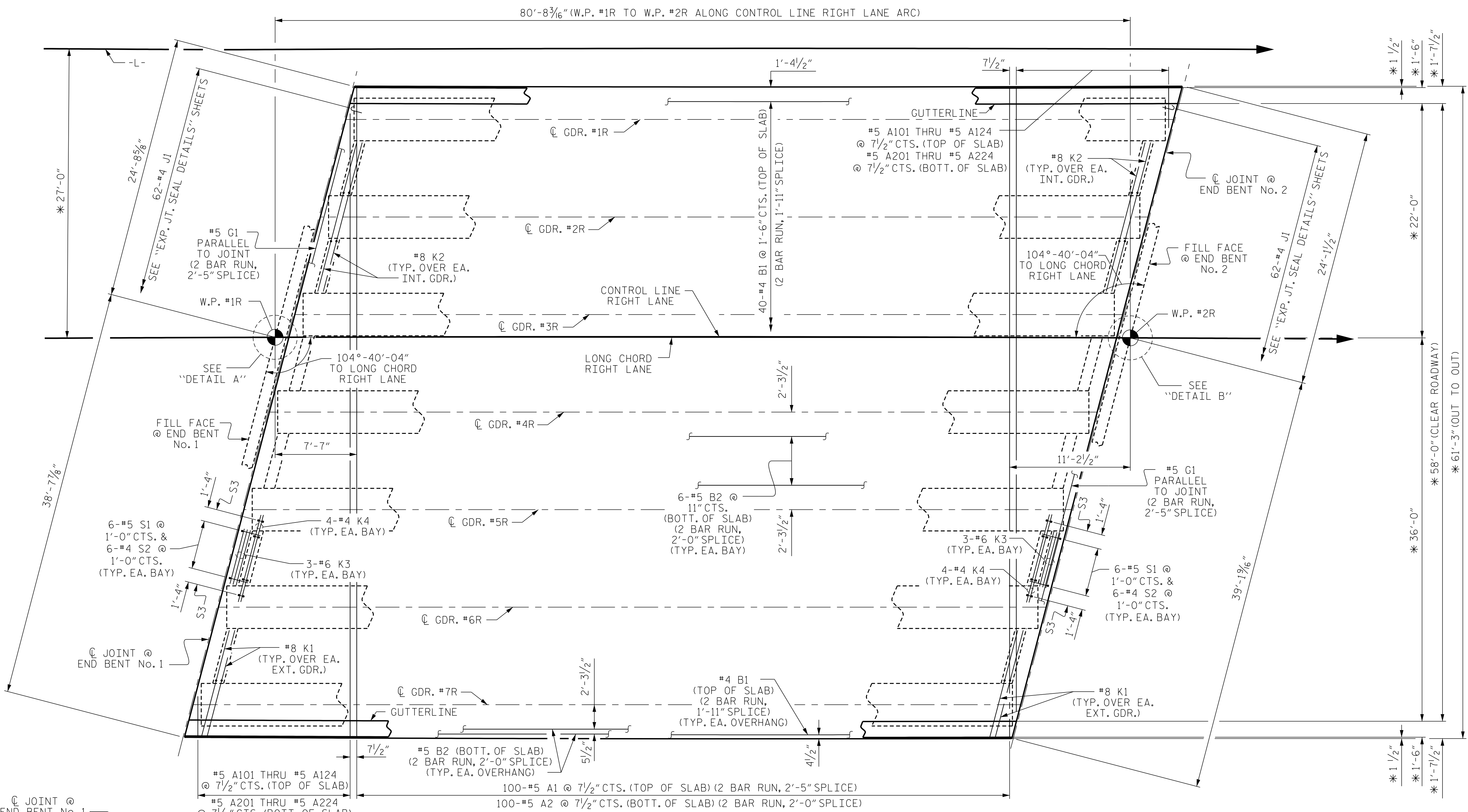
* DENOTES RADIAL DIMENSIONS

PROJECT NO. HB-0004
HAYWOOD COUNTY
 STATION: 254+73.75 -L-

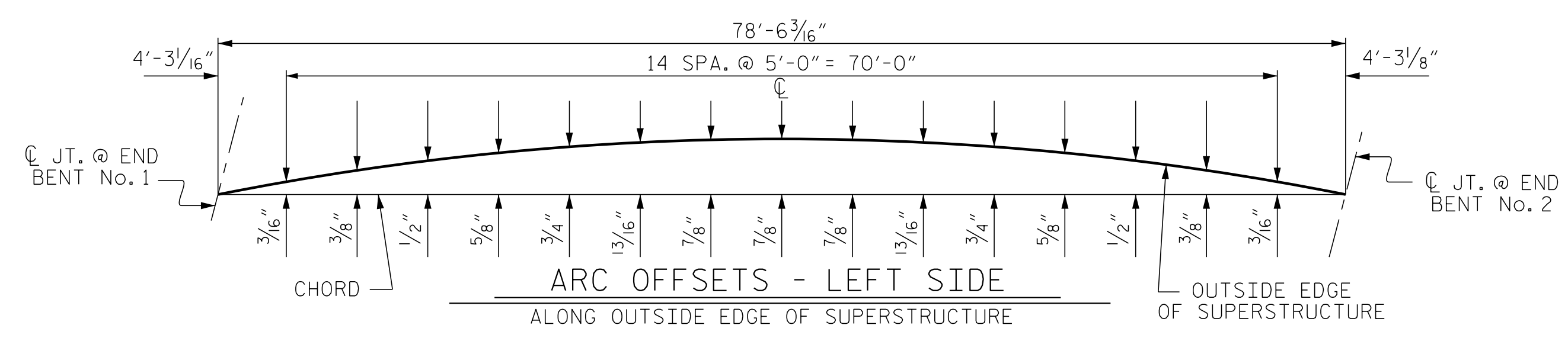
ENGINEER OF RECORD
 1/19/2024

 GREGORY M. GILLILAND
 WETHERILL ENGINEERING
 1223 Jones Franklin Rd.
 Raleigh, N.C. 27606
 Bus: 919 851 8077
 Fax: 919 851 8107
 LICENSE NO. F-0377

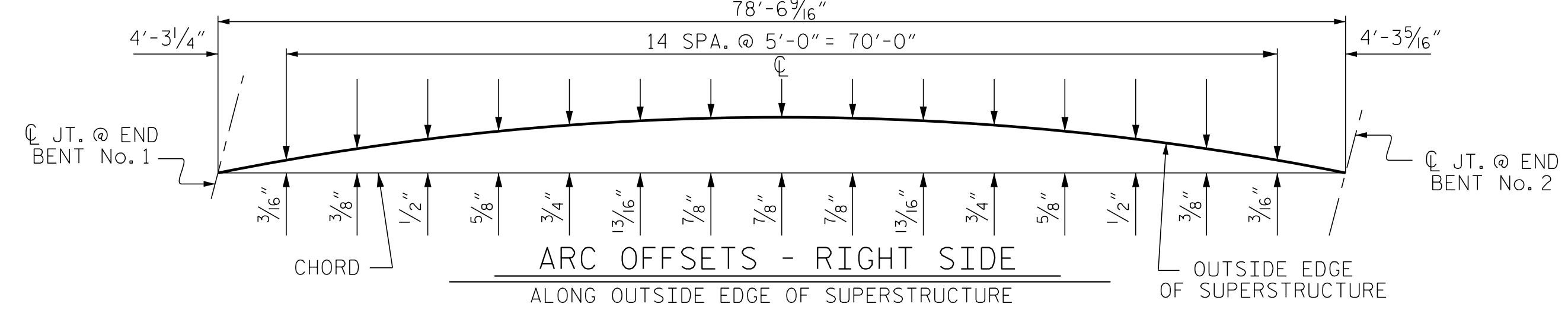
| | | | | | |
|--|-----|-------|-----|-----|-------|
| STATE OF NORTH CAROLINA DEPARTMENT OF TRANSPORTATION RALEIGH | | | | | |
| SUPERSTRUCTURE PLAN OF SPAN (RIGHT LANE) | | | | | |
| REVISIONS | | | | | |
| NO. | BY: | DATE: | NO. | BY: | DATE: |
| 1 | | | 3 | | |
| 2 | | | 4 | | |
| SHEET NO. | | | | | S2-09 |
| TOTAL SHEETS | | | | | 58 |



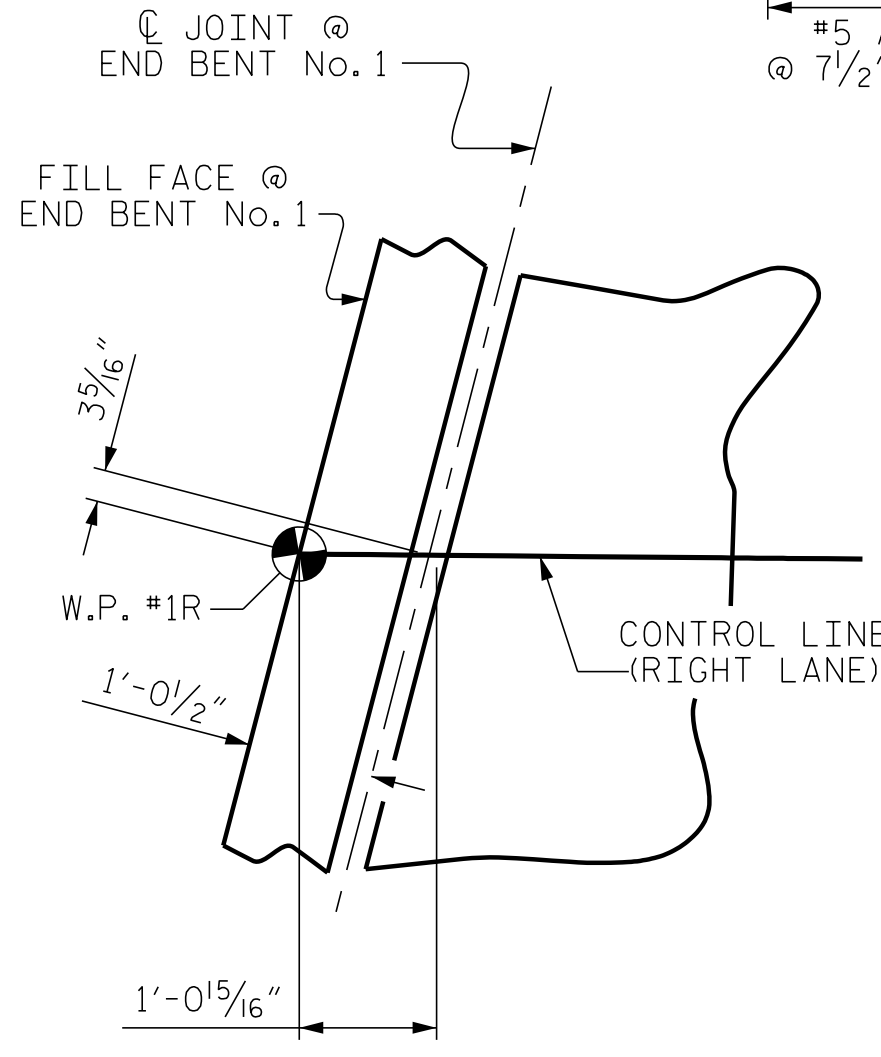
PLAN OF SPAN "A"



ARC OFFSETS - LEFT SIDE
ALONG OUTSIDE EDGE OF SUPERSTRUCTURE



ARC OFFSETS - RIGHT SIDE
ALONG OUTSIDE EDGE OF SUPERSTRUCTURE



DETAIL A

DRAWN BY: D. HODGE DATE: 3/23
 CHECKED BY: J. DILWORTH DATE: 9/23

DOCUMENT NOT CONSIDERED FINAL
 UNLESS ALL SIGNATURES COMPLETED

P:\2023\2312401-HB-0004-Structures\03\NHB-0004-RIGHT-LANE\NHB0004-RIGHT-PS.dgn
 1/19/2024 6:59:53 AM