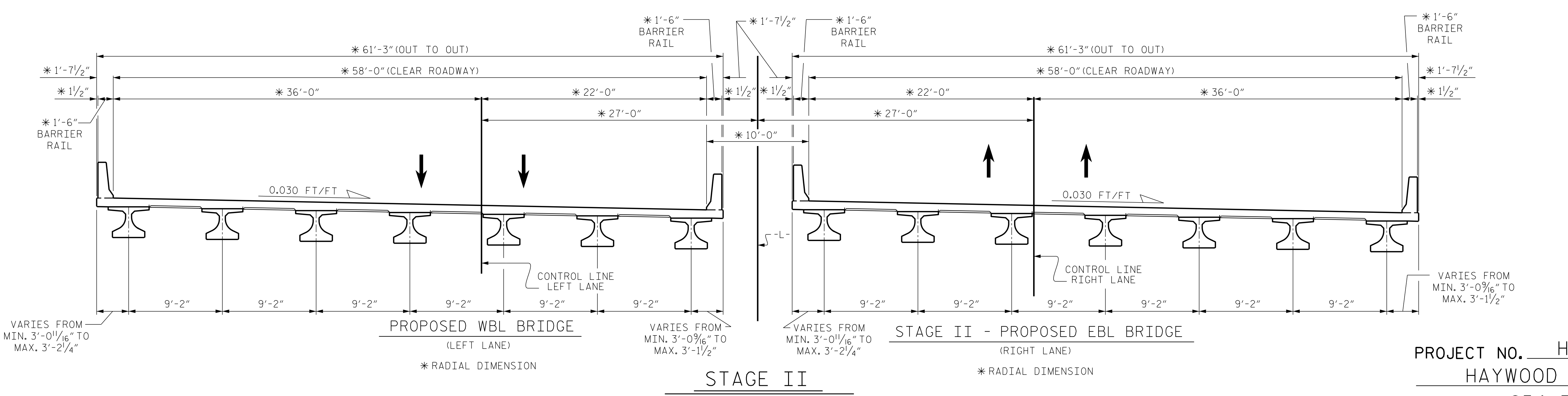


STAGE I



STAGE II

PROJECT NO. HB-0004
HAYWOOD COUNTY
 STATION: 254+73.75 -L-

P:\2023\2312401_HB-0004_Structures\DCM\HB-0004 (R) IGH LANE\WB0004-RIGHT-COM-SEC.dgn
 1/19/2024 6:58:27 AM

DRAWN BY: D. HODGE DATE: 2/23
 CHECKED BY: J. DILWORTH DATE: 9/23

DOCUMENT NOT CONSIDERED FINAL
 UNLESS ALL SIGNATURES COMPLETED

ENGINEER OF RECORD 1/19/2024 GREGORY M. GILLILAND Registered by Gregory M. Gilliland WETHERILL ENGINEERING		STATE OF NORTH CAROLINA DEPARTMENT OF TRANSPORTATION RALEIGH CONSTRUCTION SEQUENCE FOR BRIDGES ON I-40 OVER NC 215 BETWEEN SR 1513 AND SR 1585	
1223 Jones Franklin Rd. Raleigh, N.C. 27606 Bus: 919 851 8077 Fax: 919 851 8107 LICENSE NO. F-0377		REVISIONS NO. BY: DATE: NO. BY: DATE: 1 2	SHEET NO. S2-07 TOTAL SHEETS 58