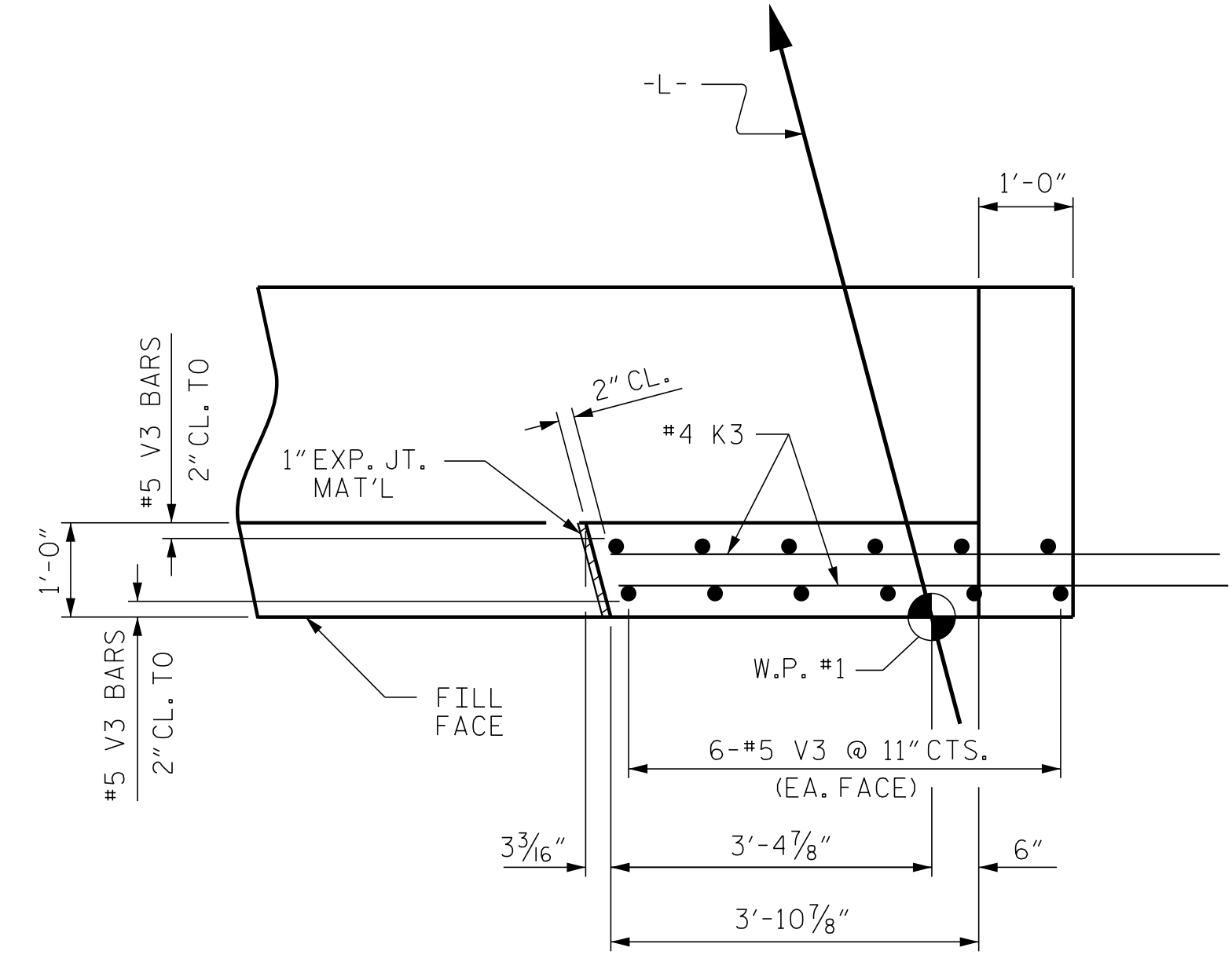
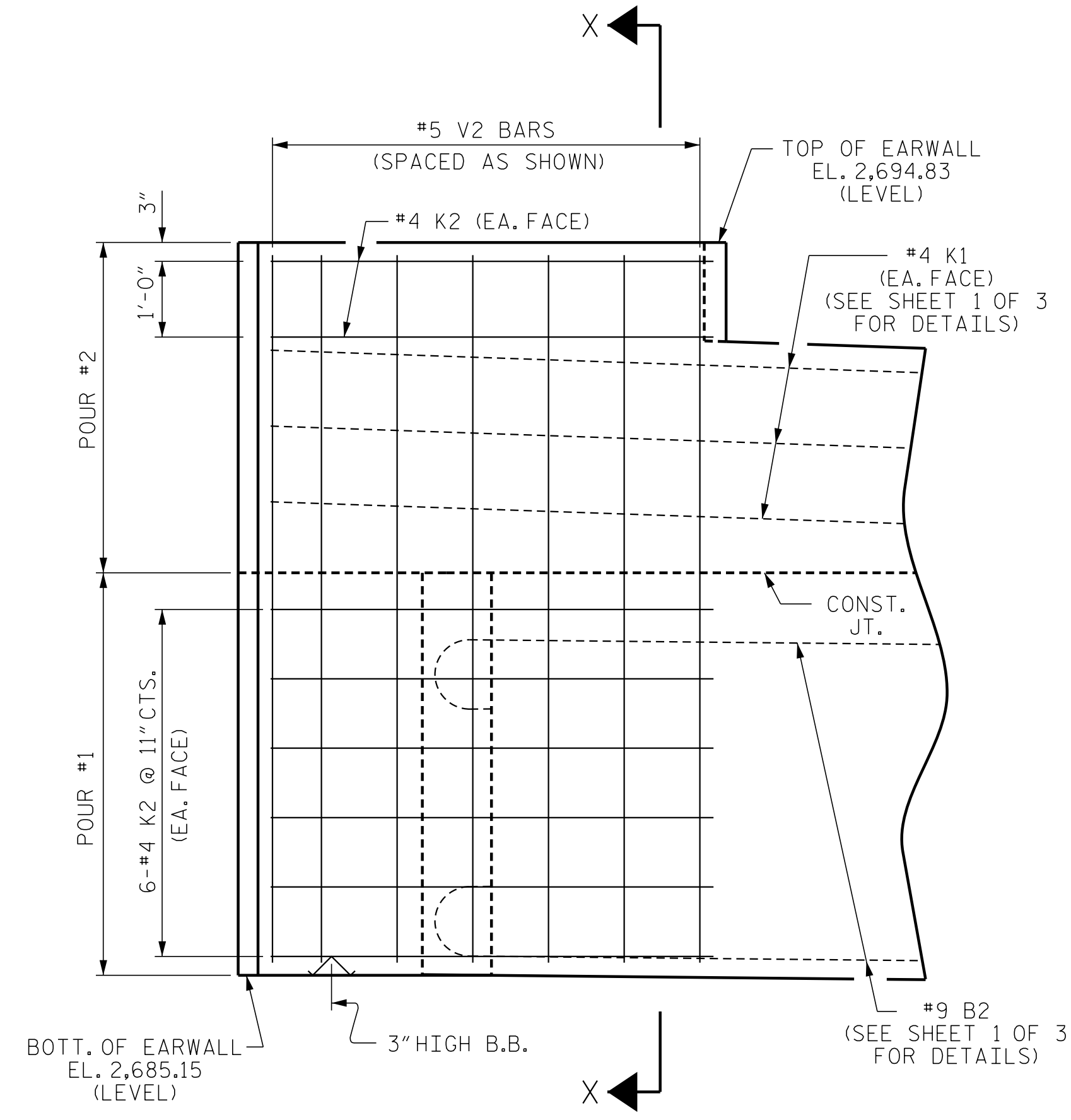


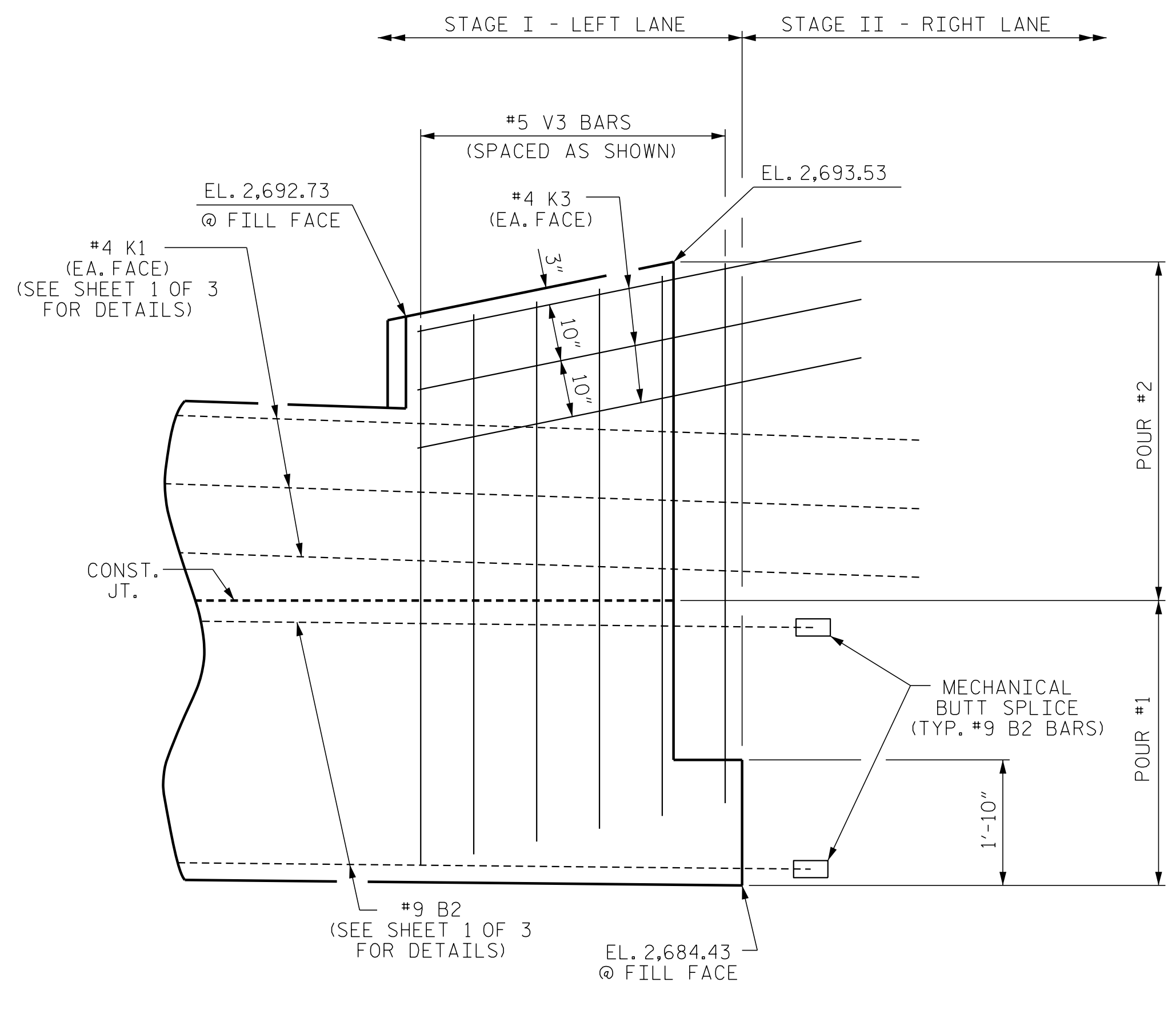
PLAN OF LEFT EARWALL



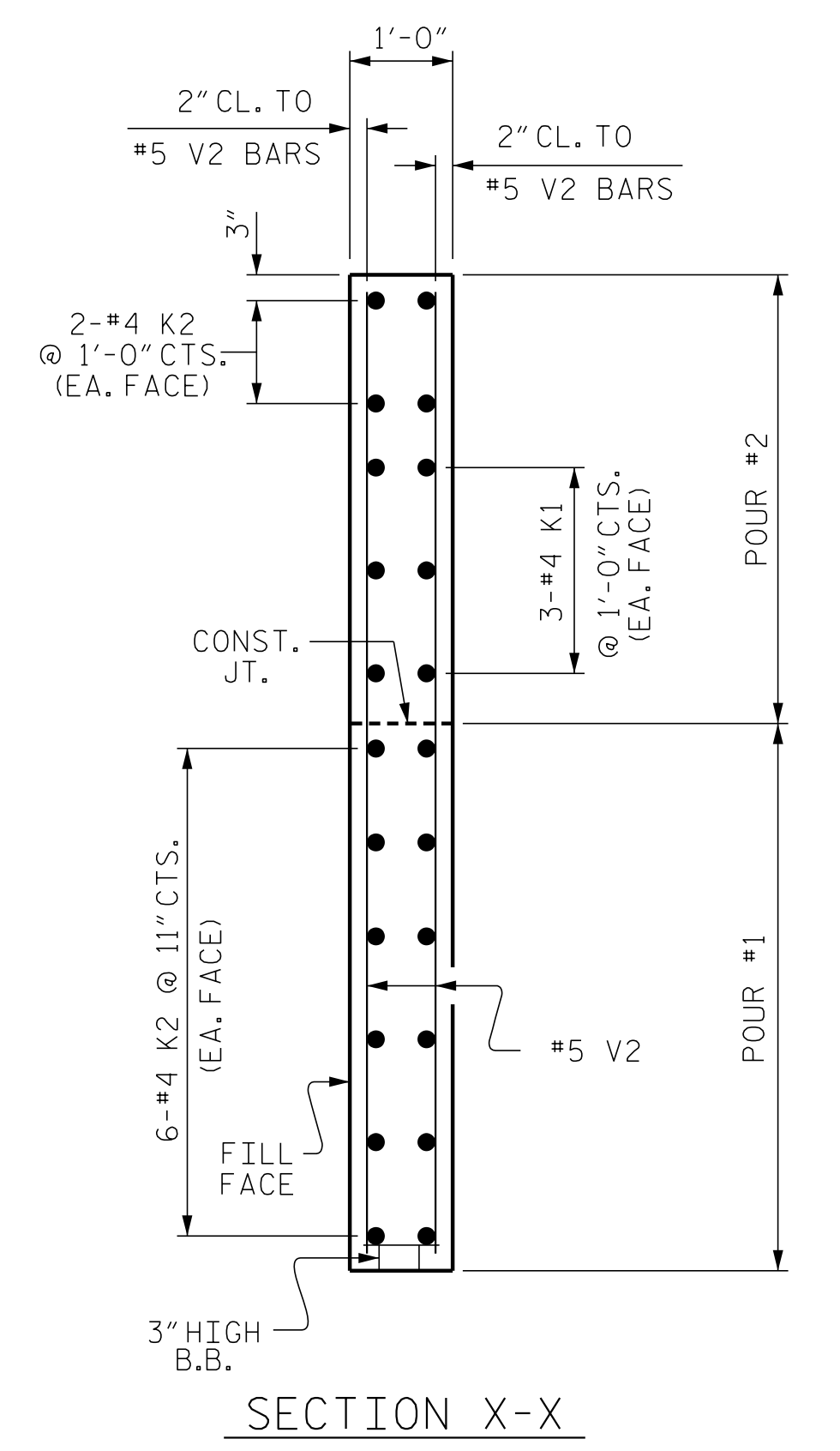
PLAN OF CENTER RAISED BACKWALL



ELEVATION OF LEFT EARWALL

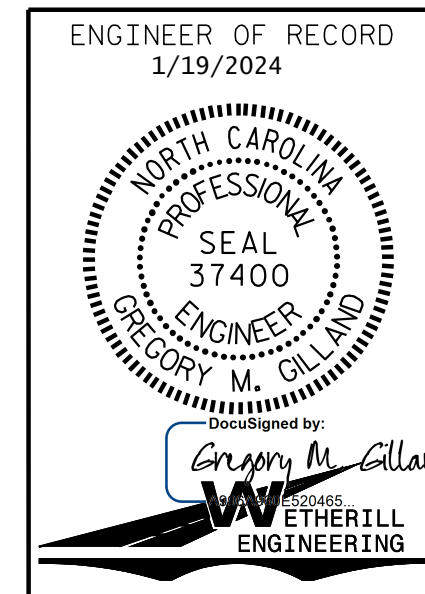


ELEVATION OF CENTER RAISED BACKWALL



SECTION X-X

PROJECT NO. HB-0004
 HAYWOOD COUNTY
 STATION: 254+73.75 -L-
 SHEET 2 OF 3



STATE OF NORTH CAROLINA
 DEPARTMENT OF TRANSPORTATION
 RALEIGH
 SUBSTRUCTURE
 END BENT No. 1
 (LEFT LANE)
 (STAGE I)

REVISIONS						SHEET NO.
NO.	BY:	DATE:	NO.	BY:	DATE:	S1-22
1			3			TOTAL SHEETS
2			4			58

DRAWN BY: D. HODGE DATE: 7/23
 CHECKED BY: G. GILLAND DATE: 9/23

DOCUMENT NOT CONSIDERED FINAL
 UNLESS ALL SIGNATURES COMPLETED

1223 Jones Franklin Rd.
 Raleigh, N.C. 27606
 Bus: 919 851 8077
 Fax: 919 851 8107
 LICENSE NO. F-0377

P:\2023\2312401-HB-0004-Structures\03\HB-0004 (LEFT LANE)\HB0004-LEFT-EB.dgn
 1/18/2024 4:55:38 PM