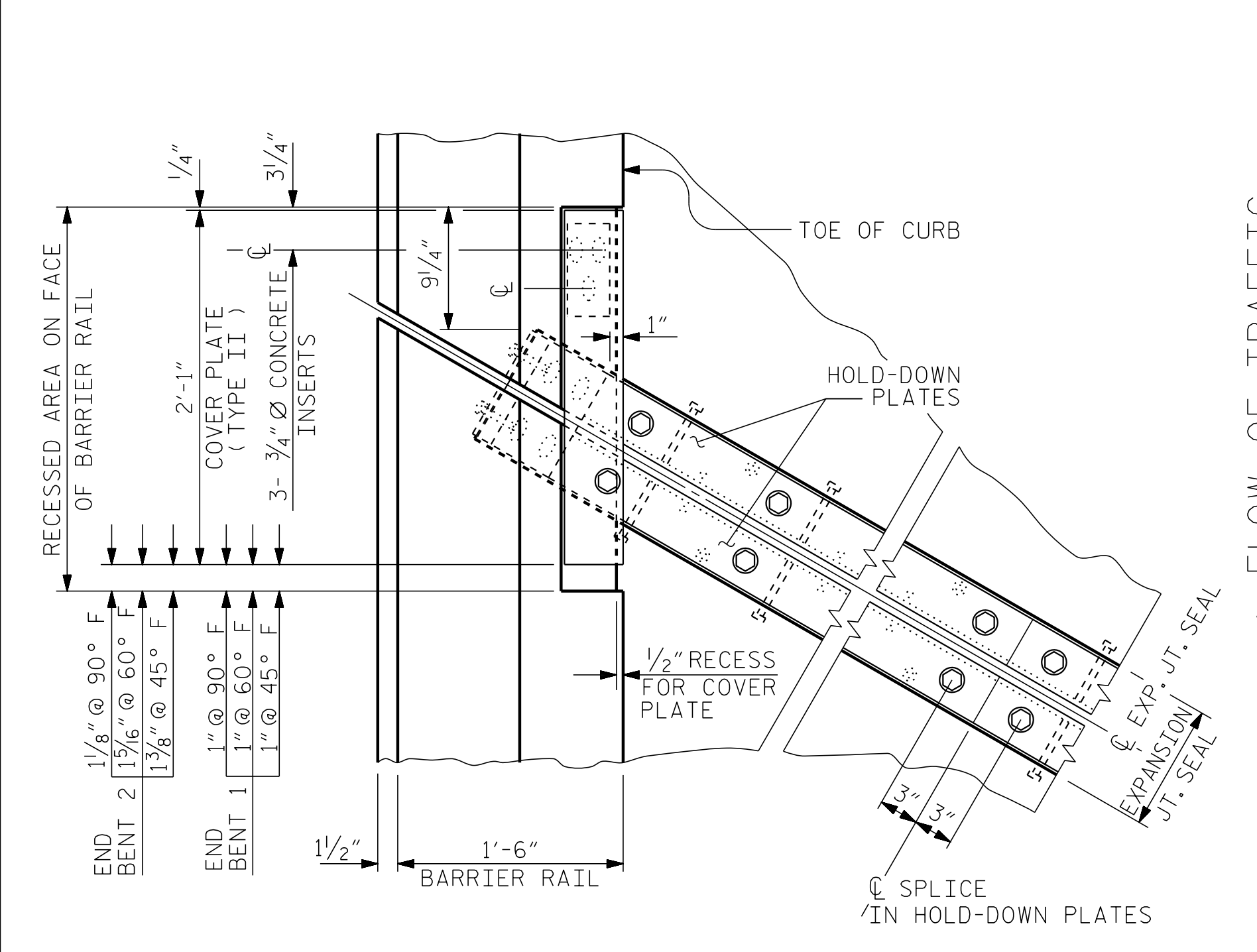
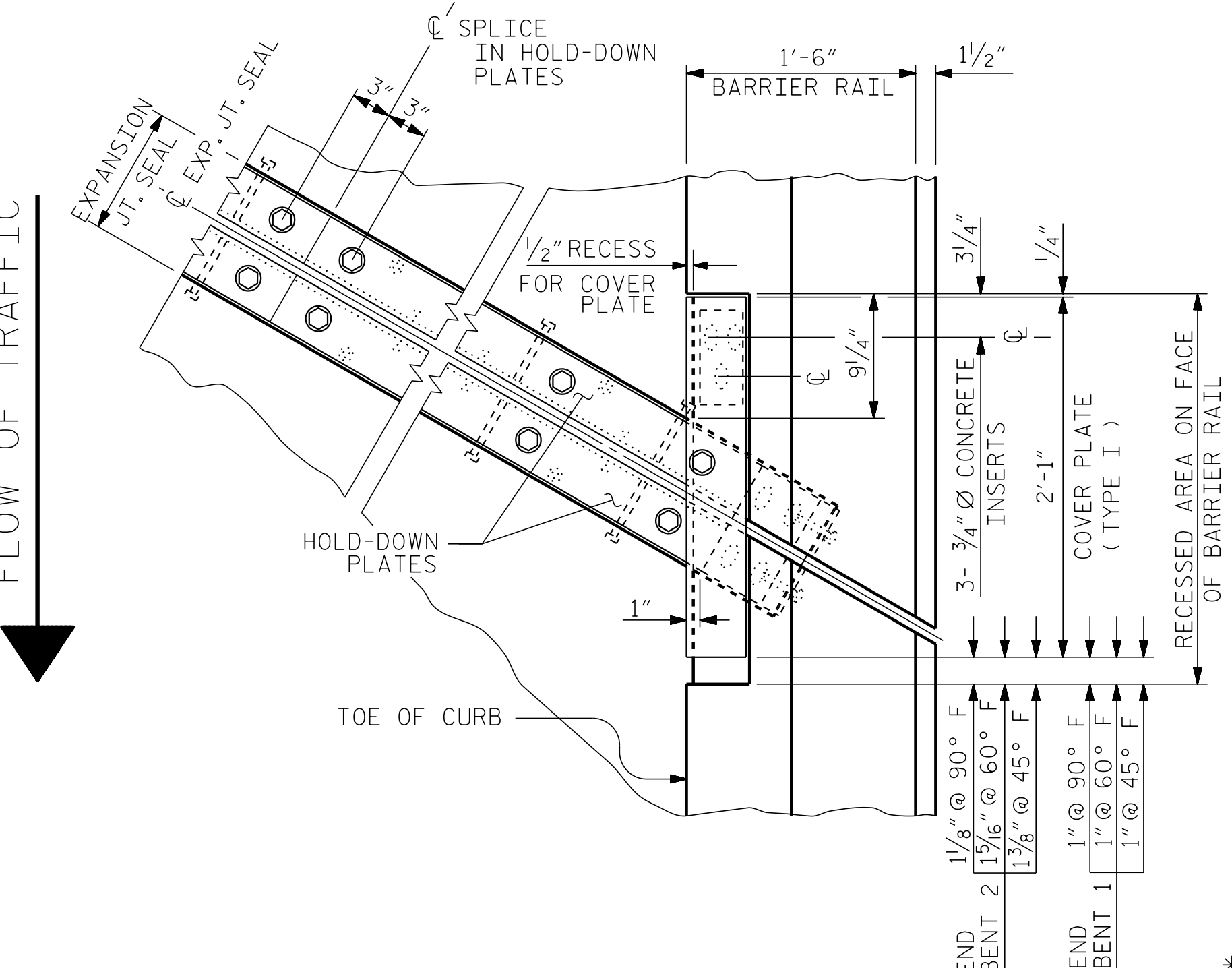


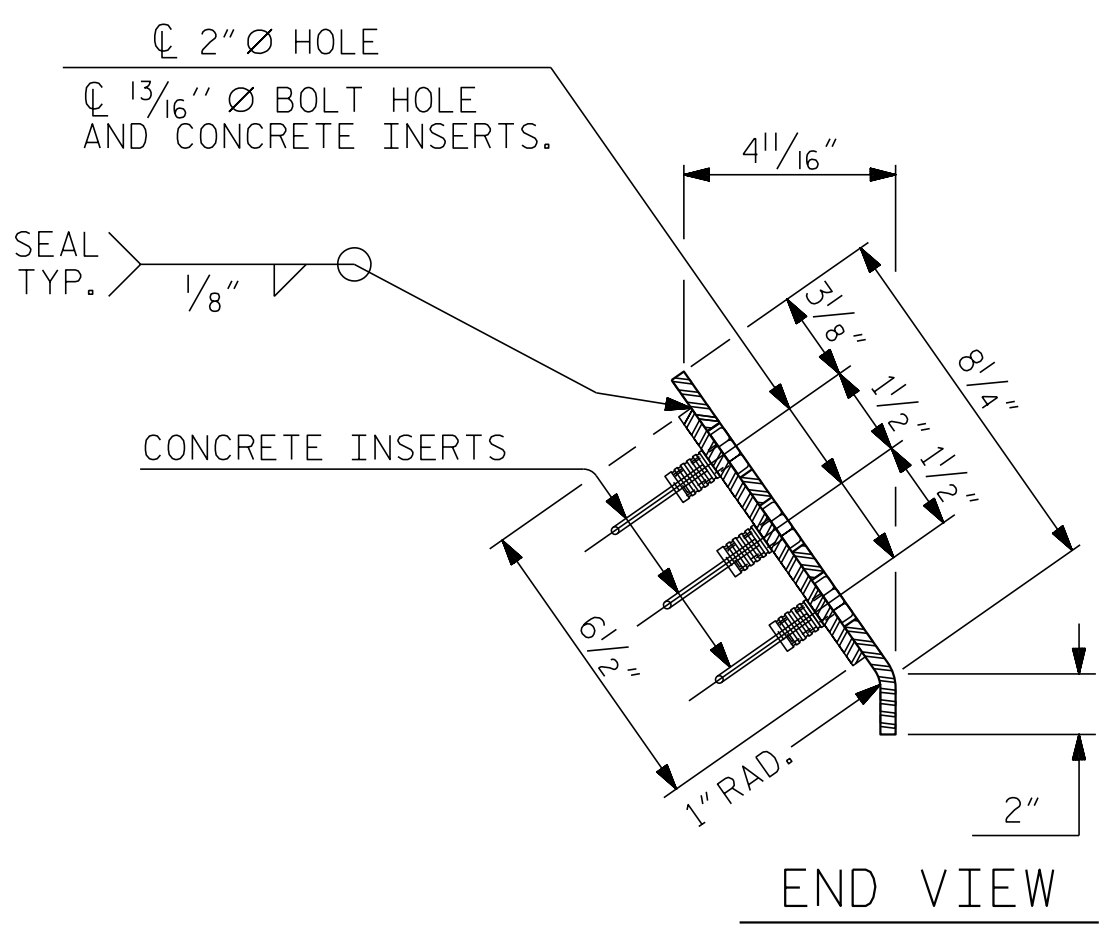
SECTION THRU RAIL NORMAL TO JOINT



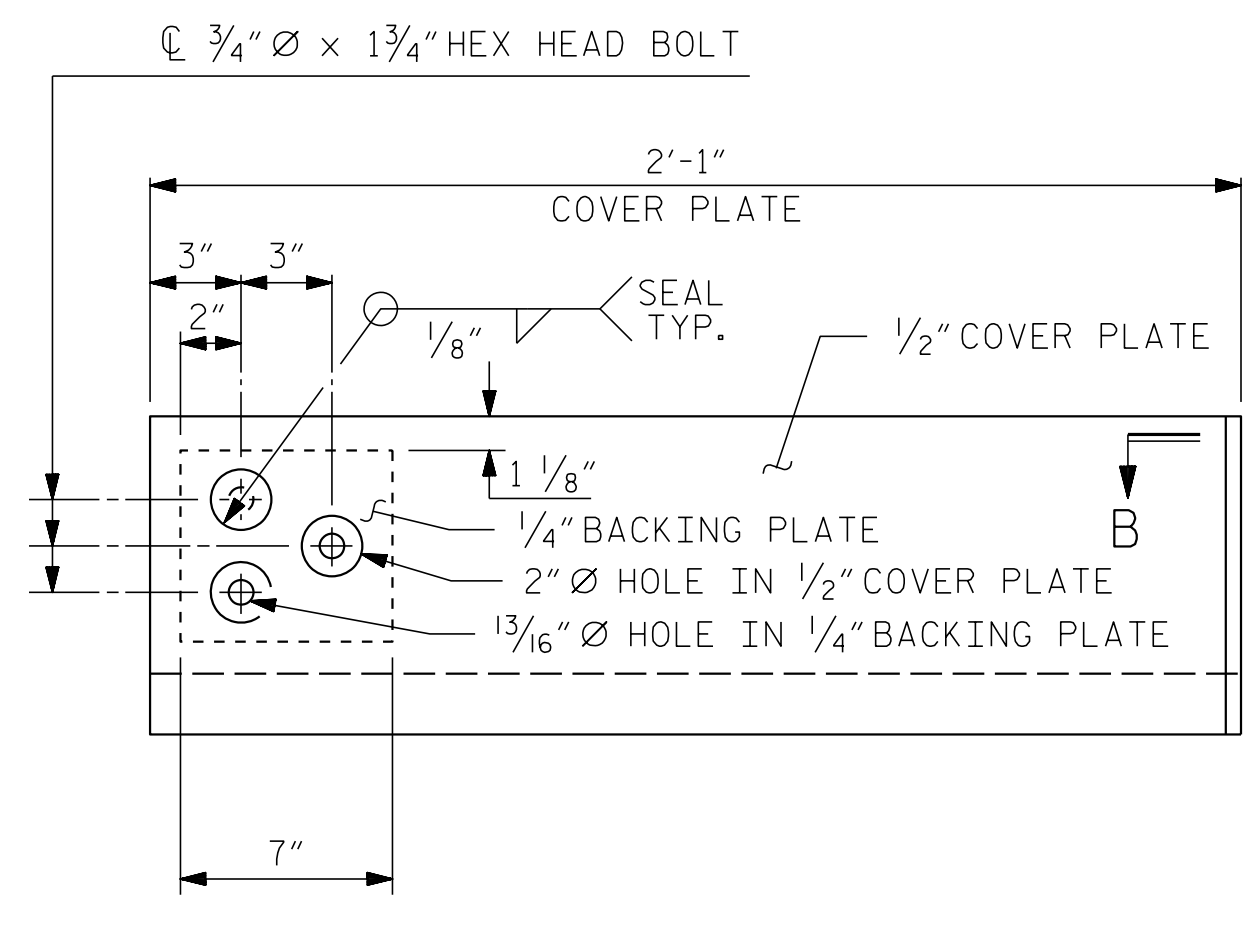
PLAN OF EXPANSION JOINT SEAL



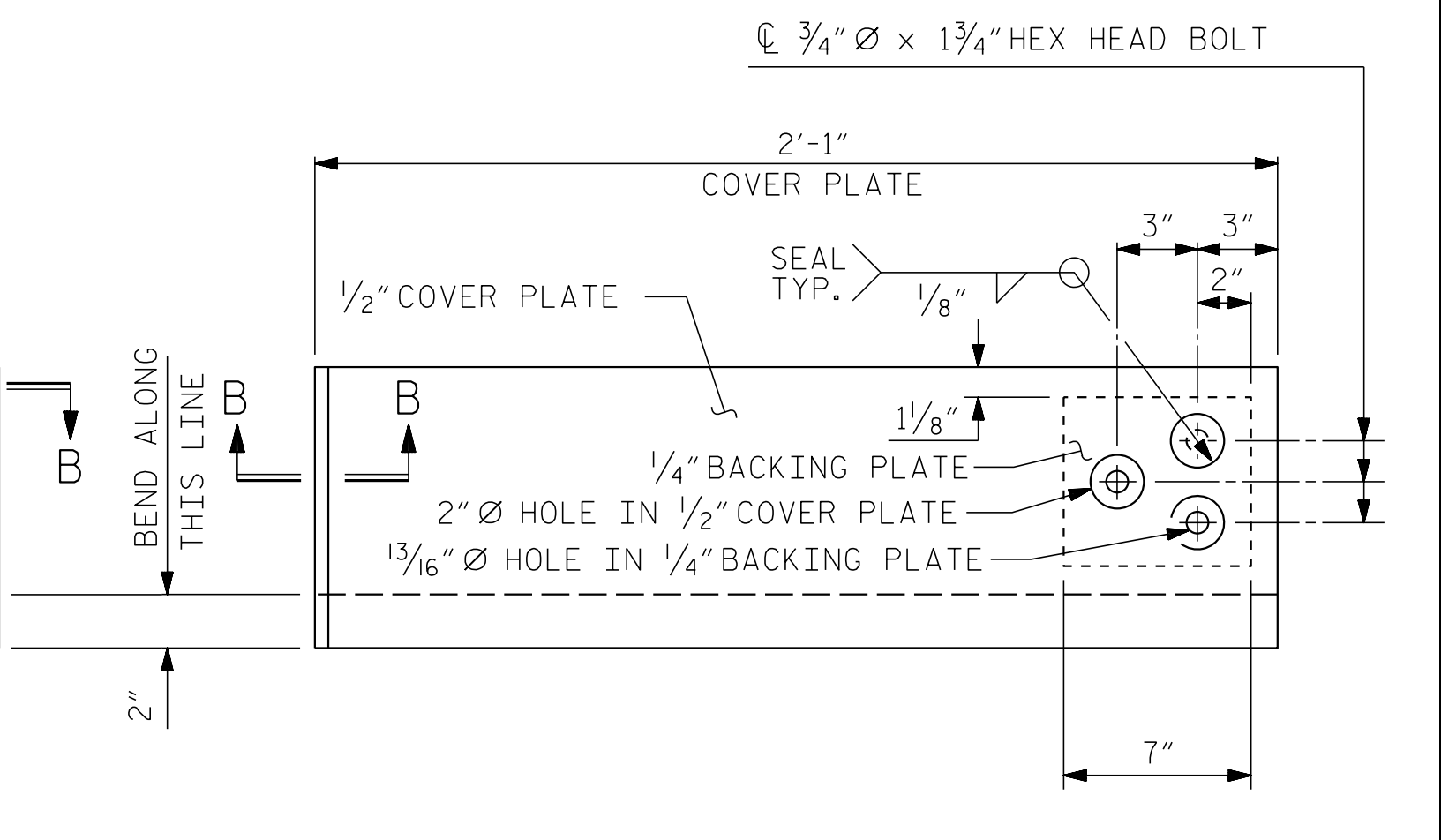
SECTION A - A



END VIEW

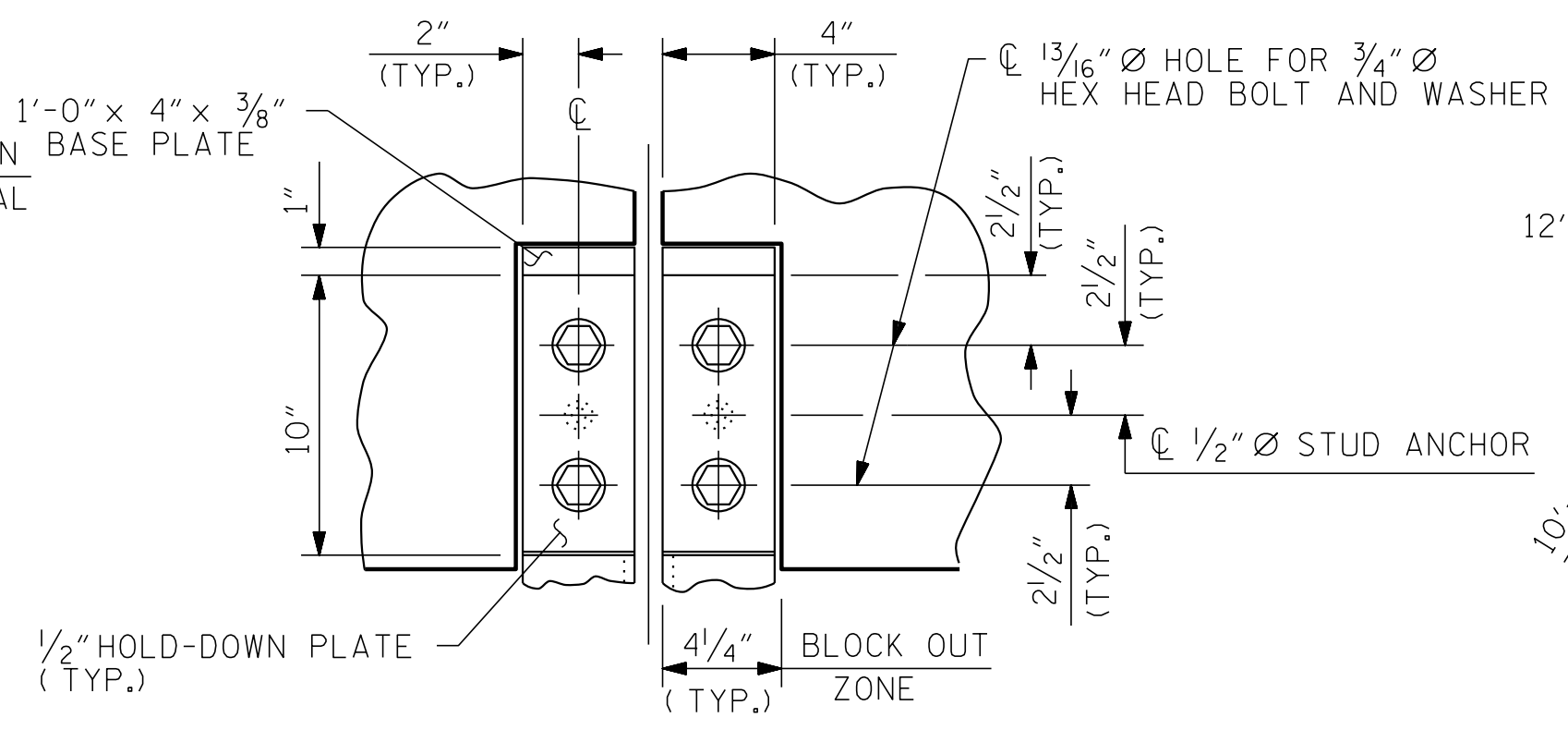


TYPE I - ELEVATION VIEW



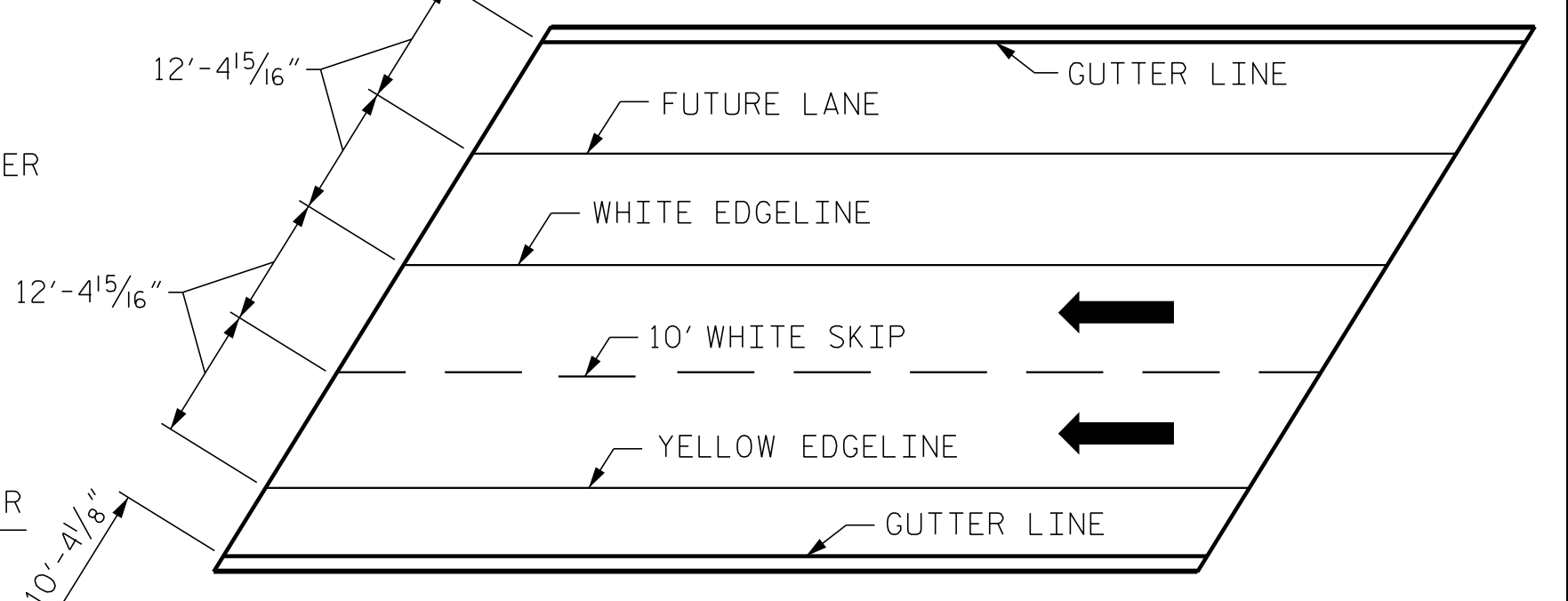
TYPE II - ELEVATION VIEW

COVER PLATE DETAILS

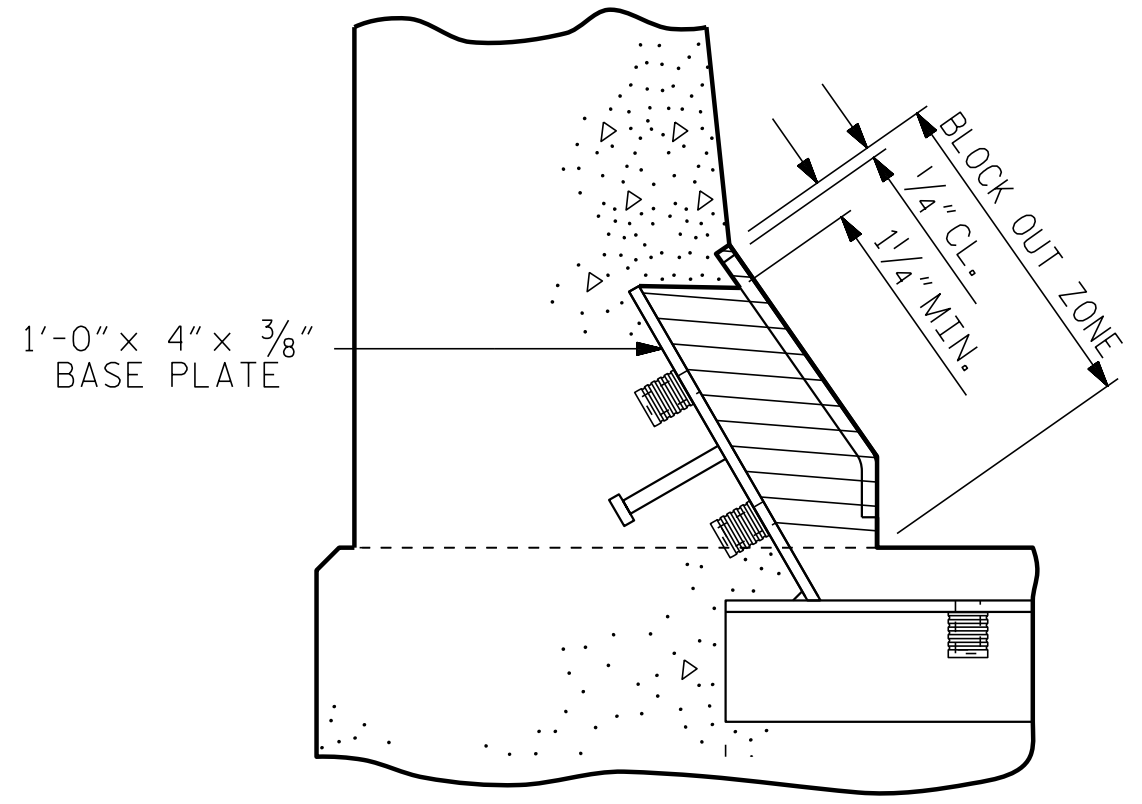


BLOCK OUT DETAIL

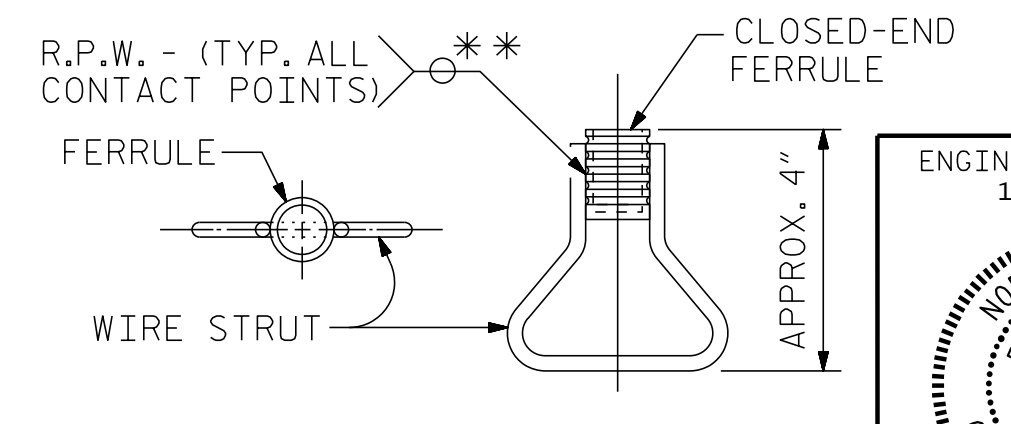
SEE "SECTION A - A" FOR OTHER DETAILS.



PAVEMENT MARKING ALIGNMENT



SECTION B - B

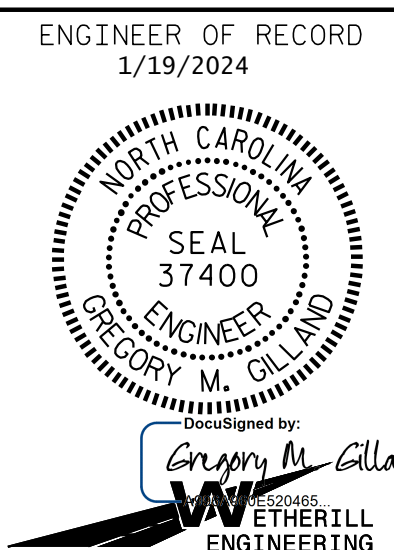


CONCRETE INSERT

** EACH WELDED ATTACHMENT OF WIRE TO FERRULE SHALL DEVELOP THE TENSILE STRENGTH OF THE WIRE.

DOCUMENT NOT CONSIDERED FINAL UNLESS ALL SIGNATURES COMPLETED

PROJECT NO. HB-0004
HAYWOOD COUNTY
 STATION: 254+73.75 -L-
 SHEET 2 OF 2



STATE OF NORTH CAROLINA
 DEPARTMENT OF TRANSPORTATION
 RALEIGH
 STANDARD
 EXPANSION JOINT
 SEAL DETAILS
 FOR BARRIER RAIL
 (LEFT LANE)

REVISIONS						SHEET NO.
NO.	BY:	DATE:	NO.	BY:	DATE:	S1-19
1			3			TOTAL SHEETS 58
2			4			

ASSEMBLED BY : D. HODGE	DATE : 1/23
CHECKED BY : G. GILLAND	DATE : 8/23
DRAWN BY : REK 9/87	REV. 7/12 MAA/GM
CHECKED BY : CRK 10/87	REV. 6/13 MAA/GM
	REV. 12/17 MAA/THC

1223 Jones Franklin Rd.
 Raleigh, N.C. 27606
 Bus: 919 851 8077
 Fax: 919 851 8107
 LICENSE NO. F-0377