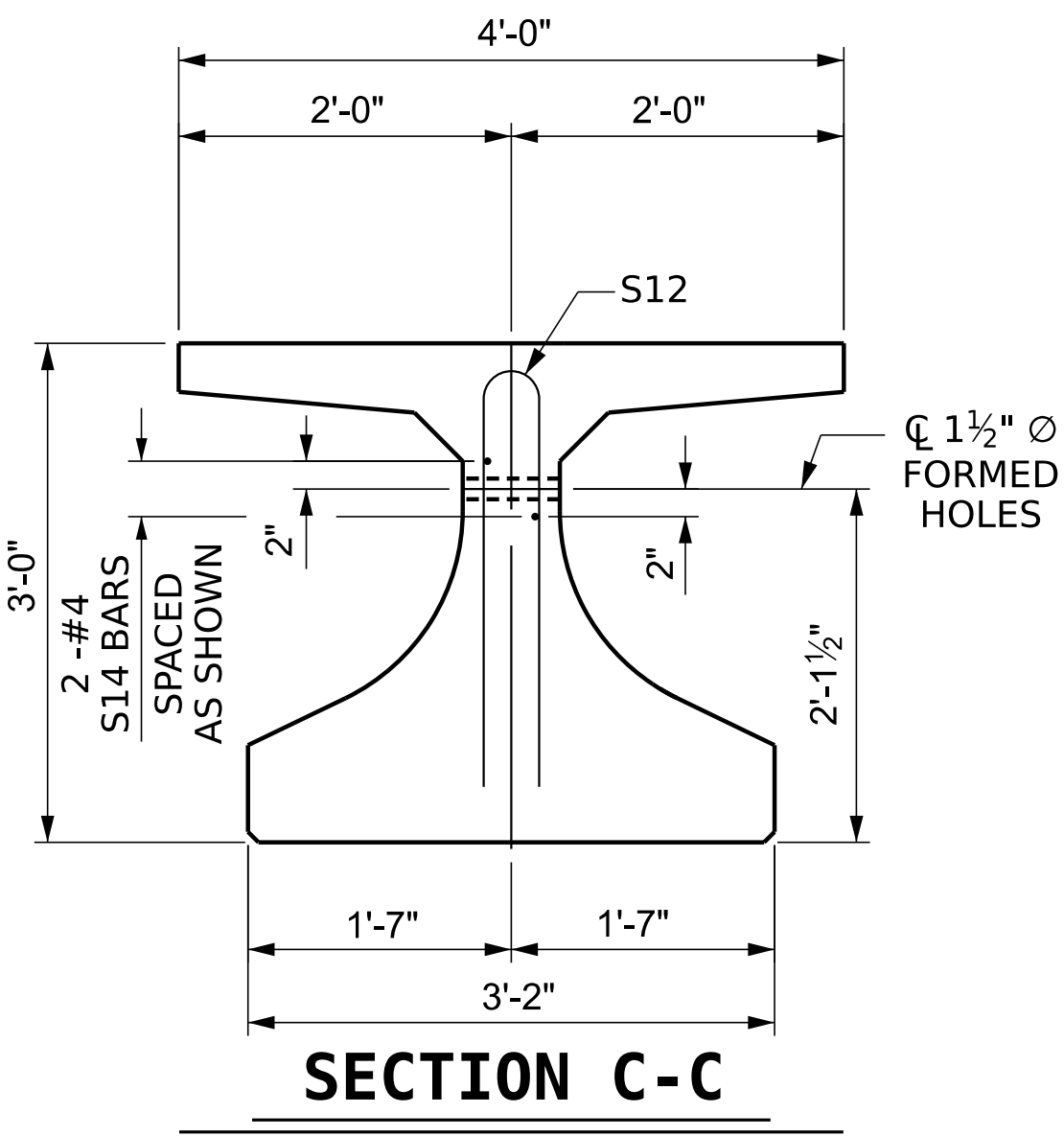
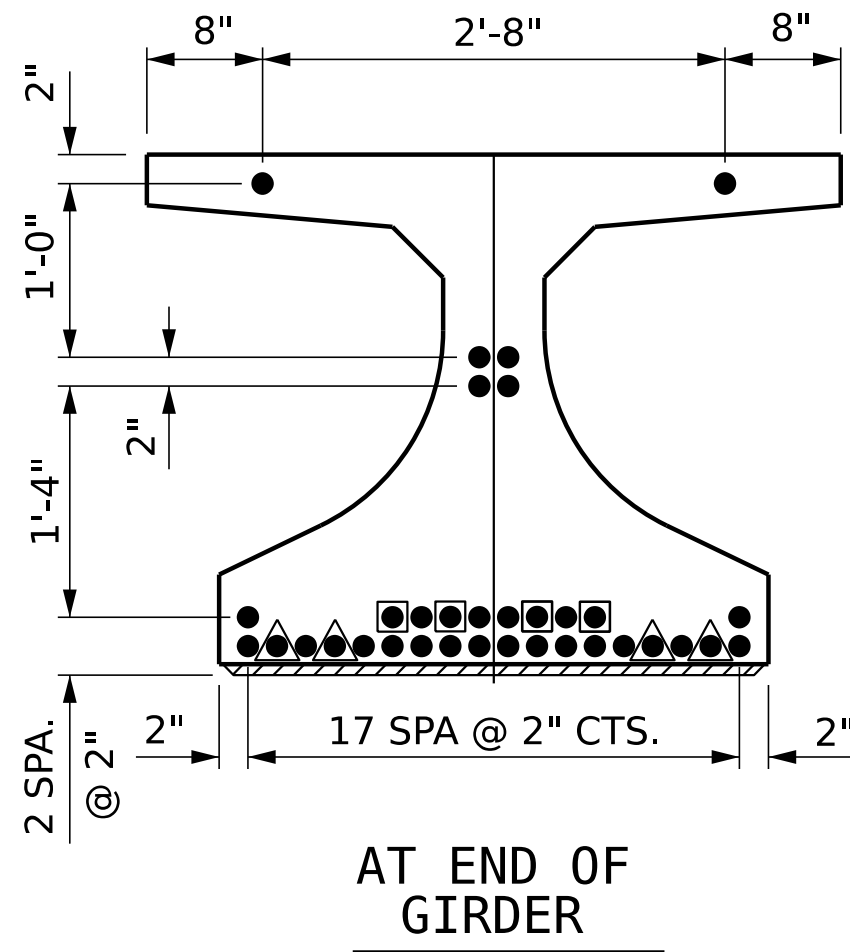


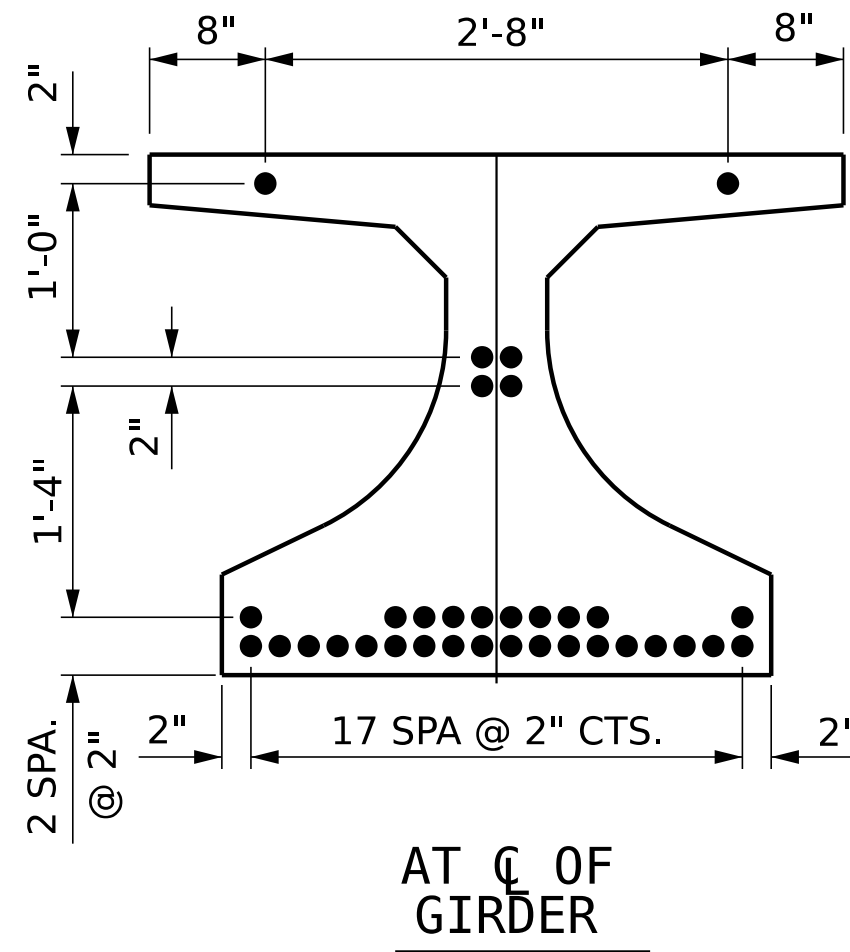
**SECTION A-A**



**SECTION C-C**  
(S8 AND S10 BARS NOT SHOWN)



AT END OF GIRDER

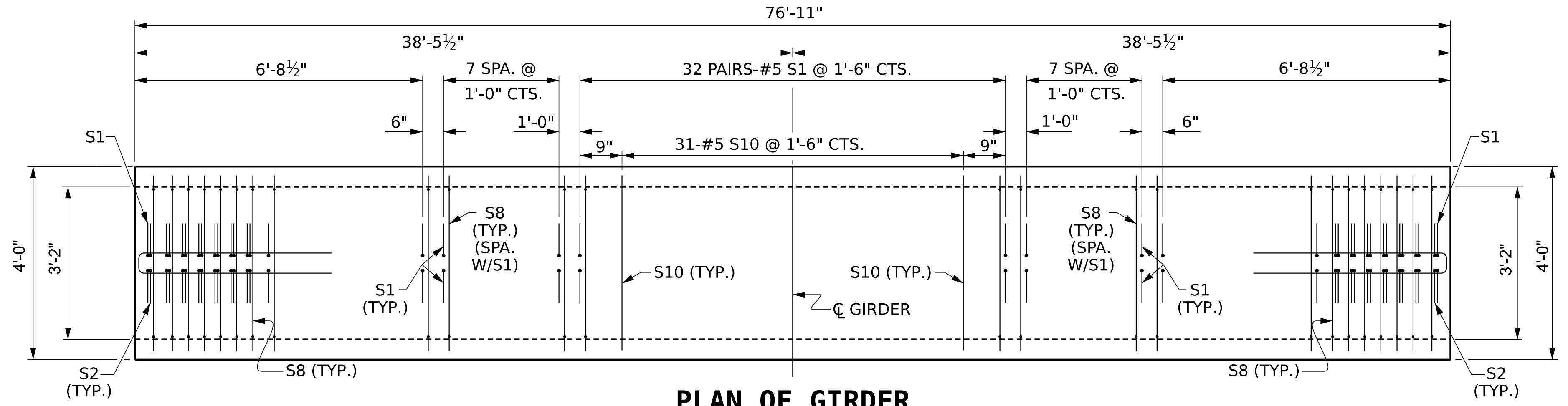


AT C OF GIRDER

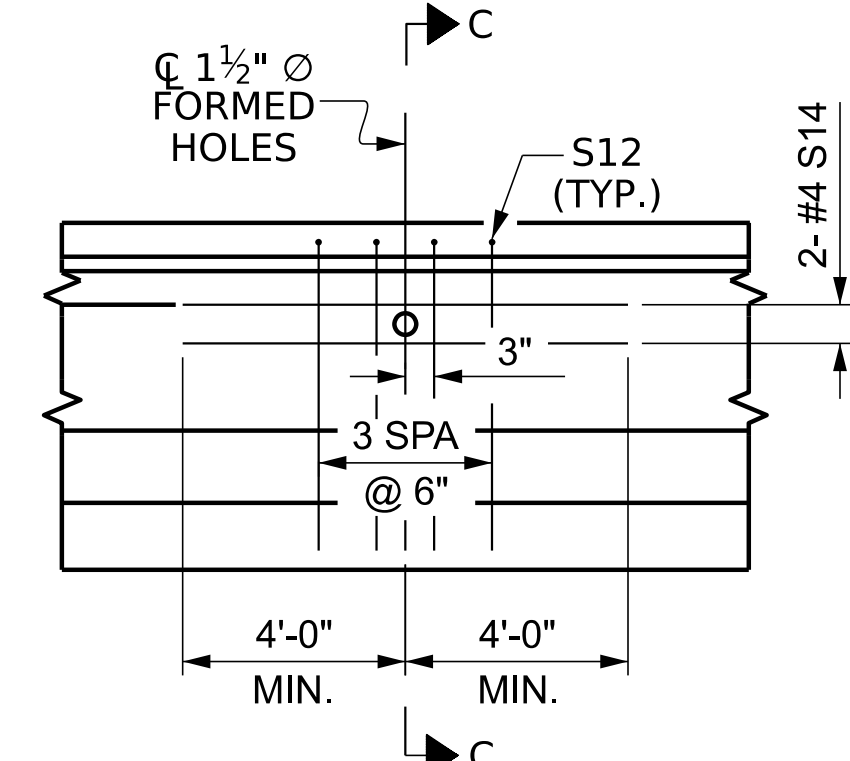
0.6" Ø LOW RELAXATION STRAND LAYOUT

**DEBONDING LEGEND**

- FULLY BONDED STRANDS
- ◻ STRANDS DEBONDED FOR 6'-0" FROM END OF GIRDER
- ▲ STRANDS DEBONDED FOR 8'-0" FROM END OF GIRDER



**PLAN OF GIRDER**



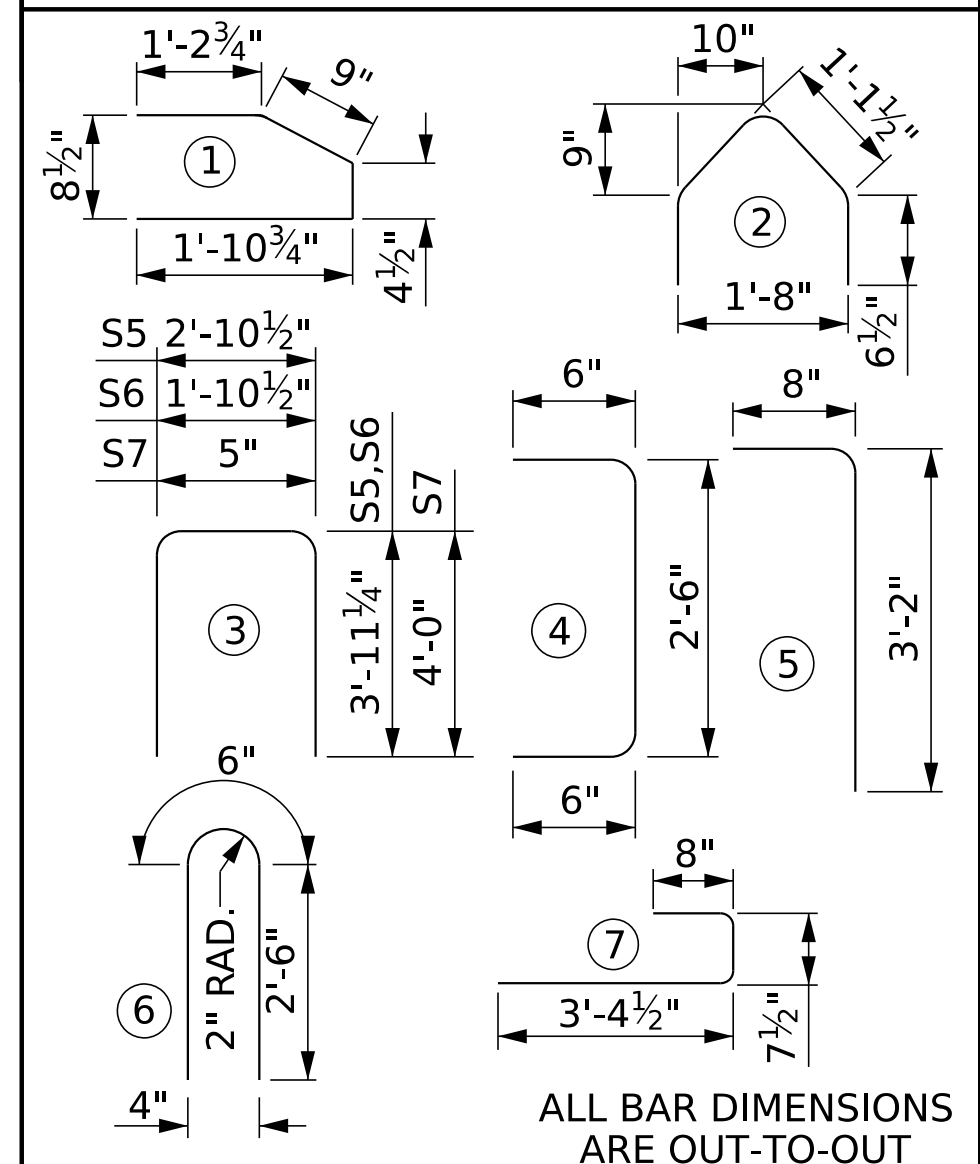
**PARTIAL ELEVATION**

SHOWING INTERMEDIATE STEEL DIAPHRAGM REINFORCING STEEL FOR GIRDER

0.6" Ø L. R. GRADE 270 STRANDS		
AREA (SQUARE INCHES)	ULTIMATE STRENGTH (LBS. PER STRAND)	APPLIED PRESTRESS (LBS. PER STRAND)
0.217	58,600	43,950

REINFORCING STEEL FOR ONE GDR						
BAR	NUMBER	SIZE	TYPE	LENGTH	WEIGHT	
S1	160	#5	5	3'-10"	640	
S2	28	#5	4	3'-6"	102	
S3	32	#3	2	3'-4"	40	
S4	64	#3	1	4'-3"	102	
S5	2	#5	3	10'-9"	22	
S6	2	#5	3	9'-9"	20	
S7	4	#4	3	8'-5"	22	
S8	160	#5	7	4'-8"	779	
S10	31	#5	STR	3'-8"	119	
S12	4	#5	6	5'-6"	23	
S14	2	#4	STR	8'-0"	11	

**BAR TYPES**



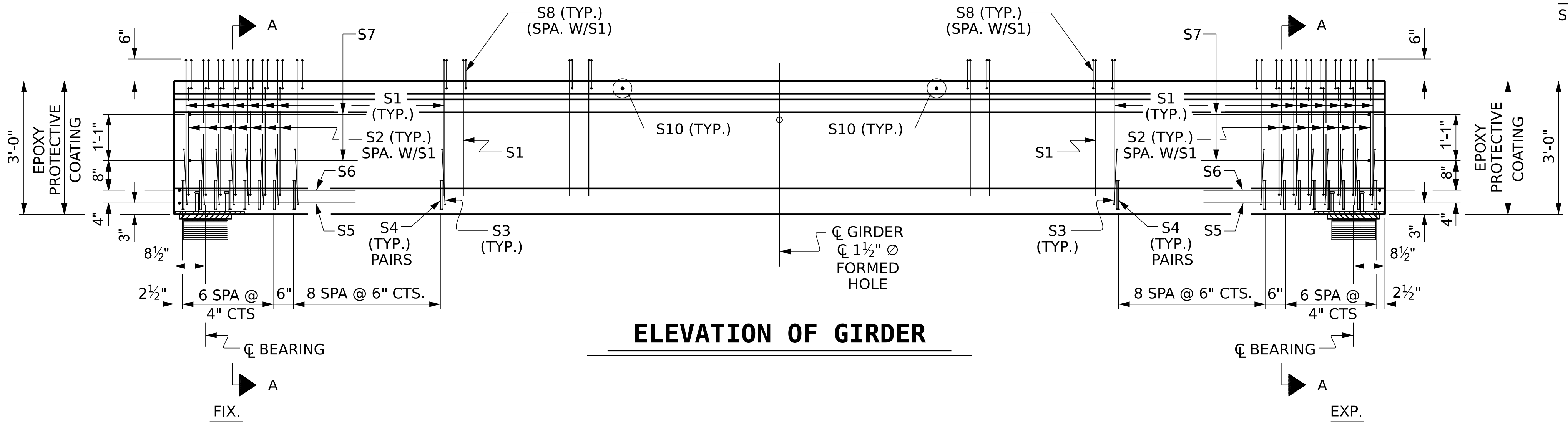
ALL BAR DIMENSIONS ARE OUT-TO-OUT

**QUANTITIES FOR ONE GIRDER**

REINFORCING STEEL	7,500 PSI CONCRETE	0.6" Ø L.R. STRANDS
LB.	C.Y.	No.
1,880	15.9	34

GIRDERS REQUIRED		
NUMBER	LENGTH	TOTAL LENGTH
7	76'-11"	538.42



**ELEVATION OF GIRDER**

PROJECT NO. HB-0004  
HAYWOOD COUNTY  
 STATION: 254+73.75 -L-  
 SHEET 1 OF 3



STATE OF NORTH CAROLINA  
 DEPARTMENT OF TRANSPORTATION  
 RALEIGH  
 STANDARD  
**36" FIB PRESTRESSED CONCRETE GIRDER (LEFT LANE)**

REVISIONS						SHEET NO.
NO.	BY:	DATE:	NO.	BY:	DATE:	S1-11
1			3			TOTAL SHEETS
2			4			58

ASSEMBLED BY : D. HODGE	DATE : 2/23
CHECKED BY : G. GILLAND	DATE : 8/23
DRAWN BY : BNB 09/21	
CHECKED BY : AAI 09/21	

DOCUMENT NOT CONSIDERED FINAL UNLESS ALL SIGNATURES COMPLETED

1223 Jones Franklin Rd.  
 Raleigh, N.C. 27606  
 Bus: 919 851 8077  
 Fax: 919 851 8107  
 LICENSE NO. F-0377

P:\2023\2312401\_LHB-0004\Structures\03\HB-0004\LEFT\_LANE\HB0004-LEFT-PCG.dgn  
 1/19/2024 6:47:27 AM