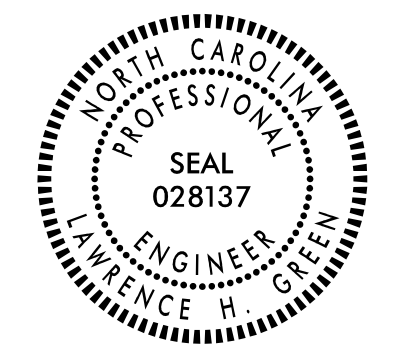
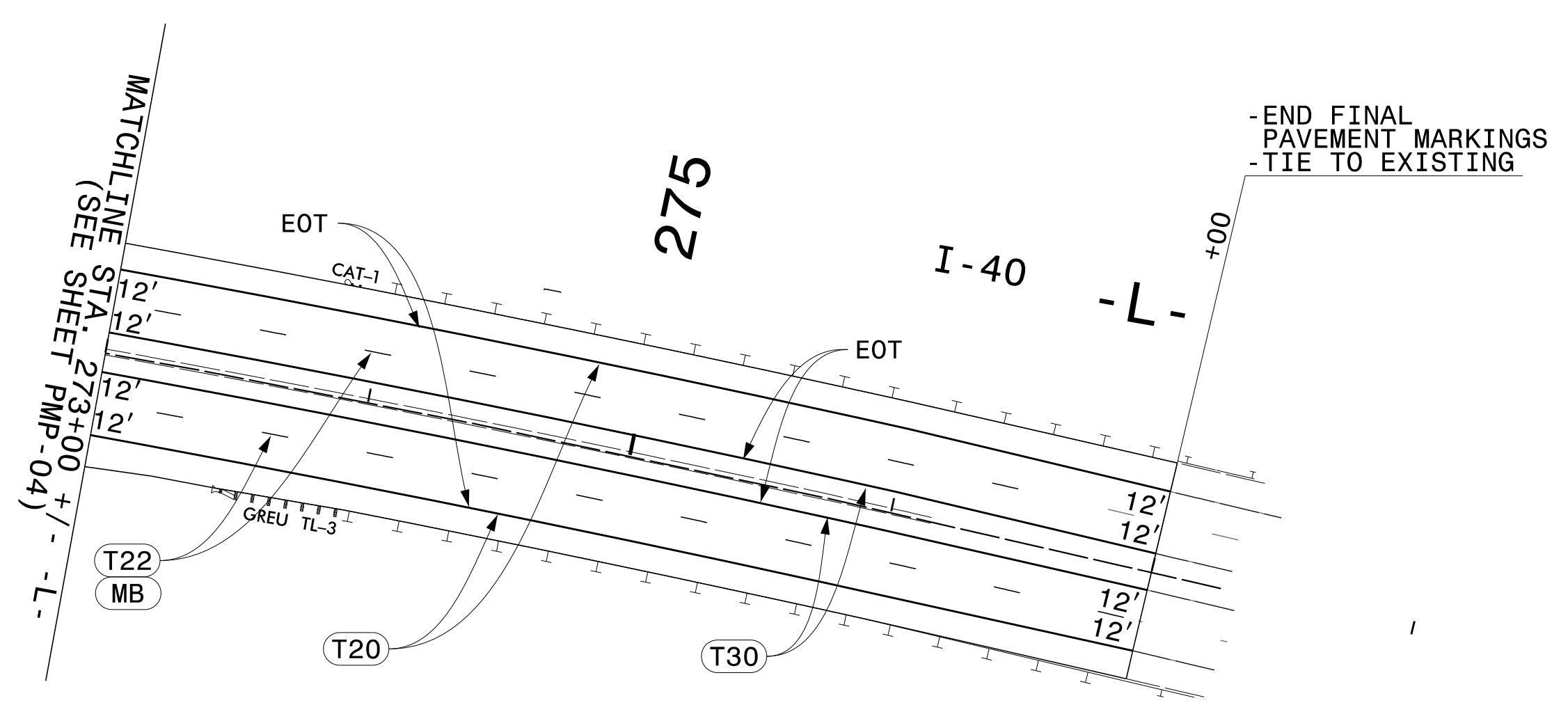
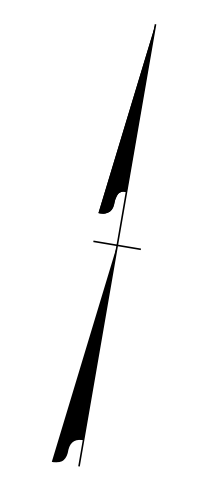
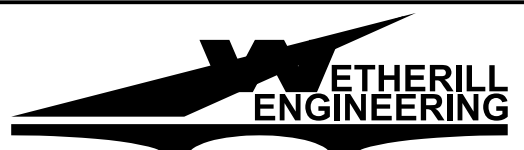


TIP NO. HB-0004	SHEET NO. PMP-05
APPROVED: <i>Lawrence H. Green</i> 4/11/2024	
DATE: 4/11/2024	
SEAL 	
DOCUMENT NOT CONSIDERED FINAL UNLESS ALL SIGNATURES COMPLETED	



4/11/2024
P:\2023\23124\01\HB-0004\Traffic Design\ Pavement Markings\HB-0004_PMP_05_DTL.dgn
User: AHoyes



1223 Jones Franklin Rd.
Raleigh, N.C. 27606
License No. F-0377
Bus: 919 851 8077
Fax: 919 851 8107

TRANSPORTATION PLANNING/DESIGN - BRIDGE/STRUCTURE DESIGN
CIVIL/SITE DESIGN - GIS/GPS - CONSTRUCTION OBSERVATION

PAVEMENT MARKING DETAIL