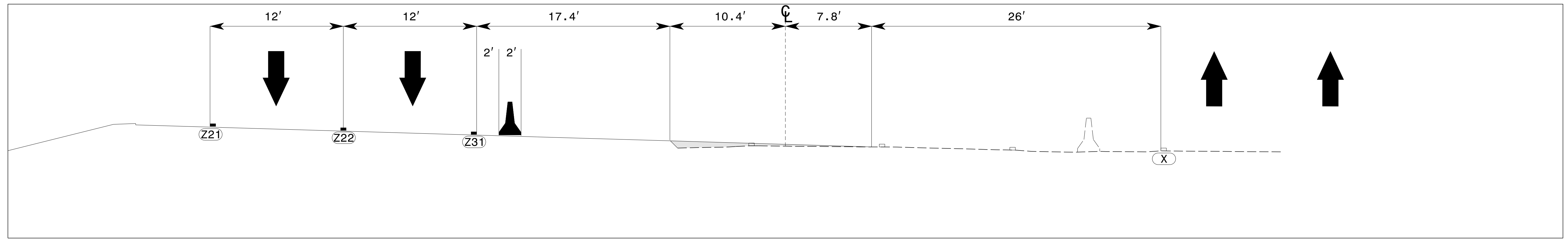
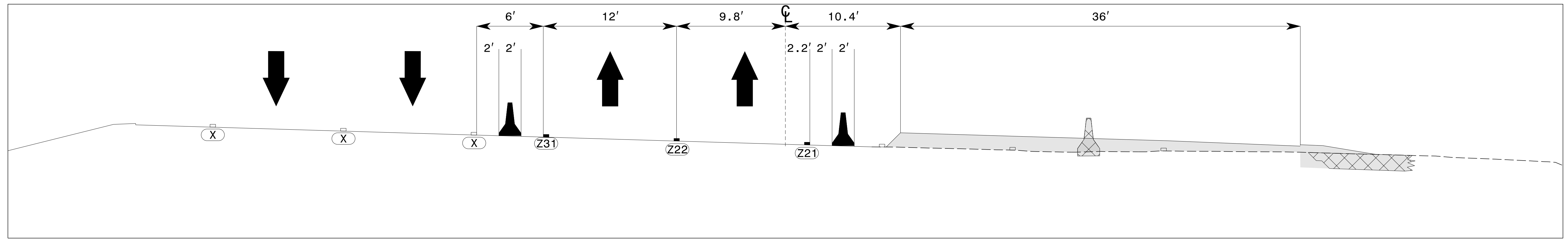


**F1**  
06 | 25  
STA. 260+00 -L-  
CUT SECTION

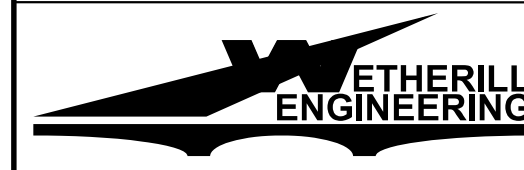


**F2**  
10 | 25  
STA. 260+00 -L-  
CUT SECTION



**F3**  
14 | 25  
STA. 260+00 -L-  
CUT SECTION

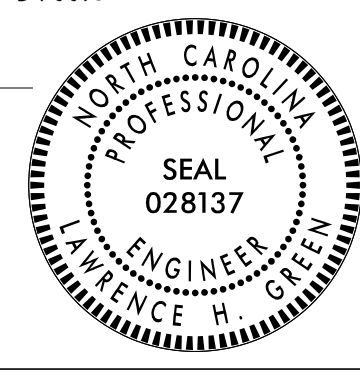
6/4/2024  
 P:\2023\23124\01\HB-0004\Traffic Design\Traffic Design\2 Plan Design\4 WZTC\HB-0004\_TMP\_25 Flidgn  
 User:AHayes



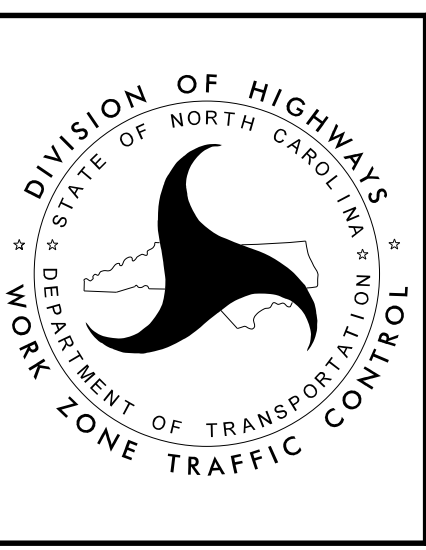
1223 Jones Franklin Rd.  
 Raleigh, N.C. 27606  
 License No. F-0377  
 Bus: 919 851 8077  
 Fax: 919 851 8107

TRANSPORTATION PLANNING/DESIGN - BRIDGE/STRUCTURE DESIGN  
 CIVIL/SITE DESIGN - GIS/GPS - CONSTRUCTION OBSERVATION

APPROVED: *Lawrence H. Green*  
480870889880488  
 DATE: 6/4/2024



**DOCUMENT NOT CONSIDERED FINAL  
UNLESS ALL SIGNATURES COMPLETED**



**CUT SECTION F**