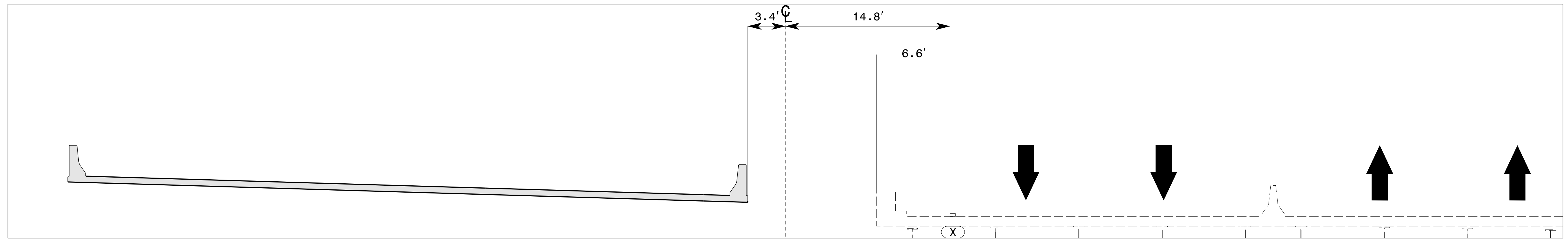
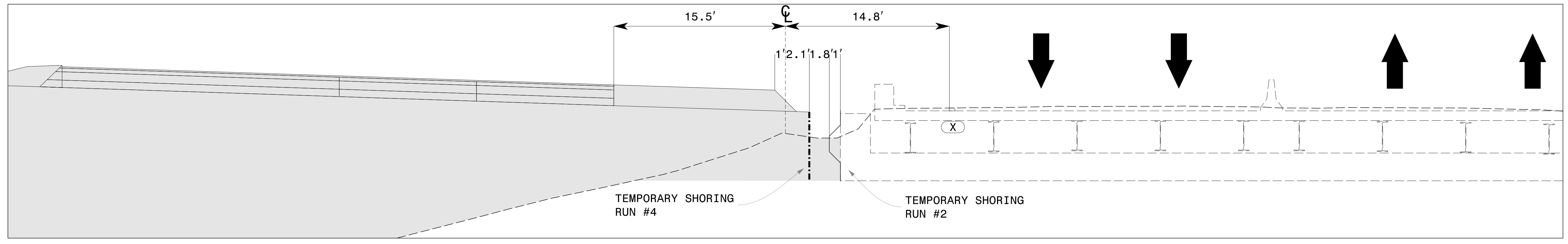


**C1**  
05 | 24  
STA. 254+05 -L-  
CUT SECTION  
SKEWED TO EXISTING END BENT

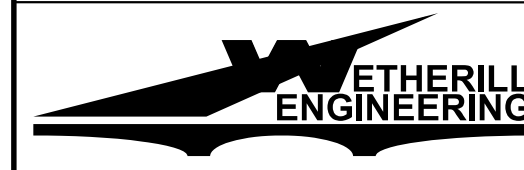


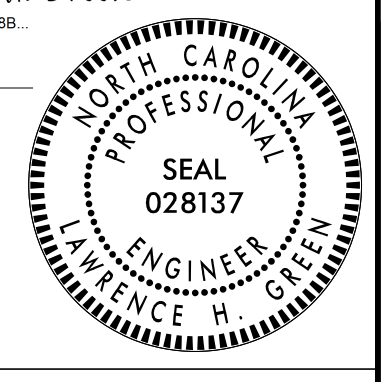
**D1**  
05 | 24  
STA. 255+00 -L-  
CUT SECTION

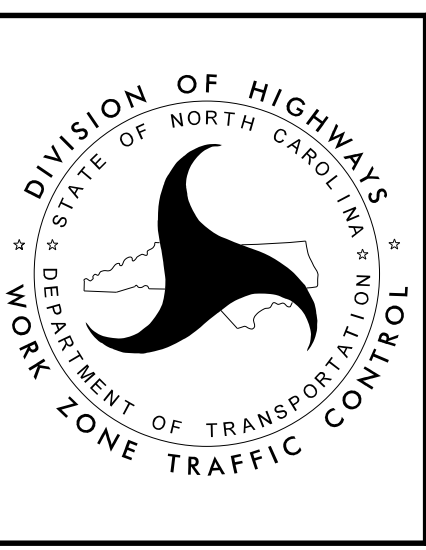


**E1**  
05 | 24  
STA. 255+52 -L-  
CUT SECTION  
SKEWED TO EXISTING END BENT

4/11/2024  
 P:\2023\23124\01\HB-0004\Traffic Design\Traffic Design\2 Plan Design\4 WZTC\HB-0004\_TMP\_24\_CDE.dgn  
 User: AHayes

  
 1223 Jones Franklin Rd.  
 Raleigh, N.C. 27606  
 License No. F-0377  
 Bus: 919 851 8077  
 Fax: 919 851 8107  
 TRANSPORTATION PLANNING/DESIGN - BRIDGE/STRUCTURE DESIGN  
 CIVIL/SITE DESIGN - GIS/GPS - CONSTRUCTION OBSERVATION

APPROVED: *Lawrence H. Green*  
 DATE: 4/11/2024  
  
**DOCUMENT NOT CONSIDERED FINAL  
 UNLESS ALL SIGNATURES COMPLETED**



CUT SECTIONS C, D, & E