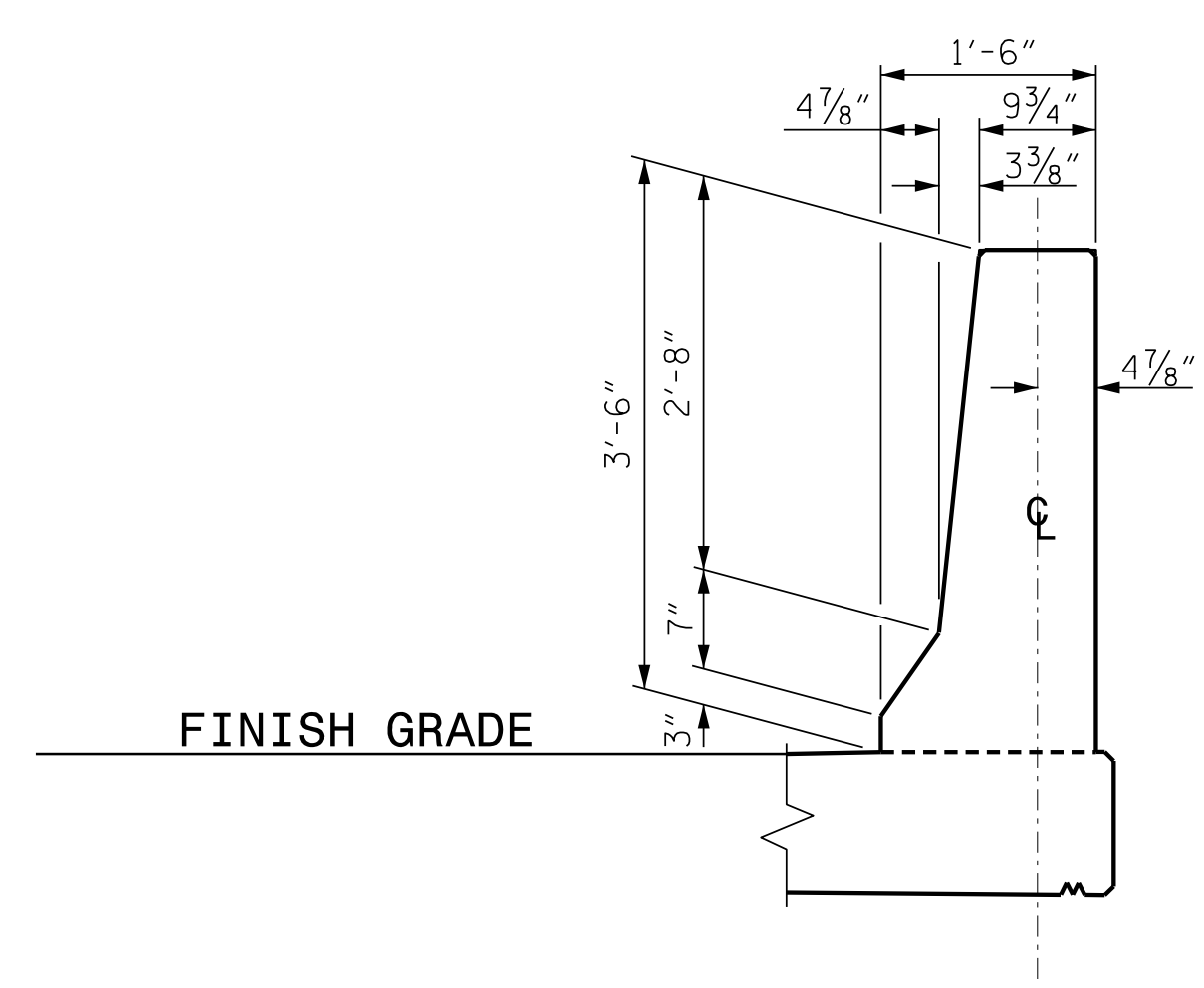
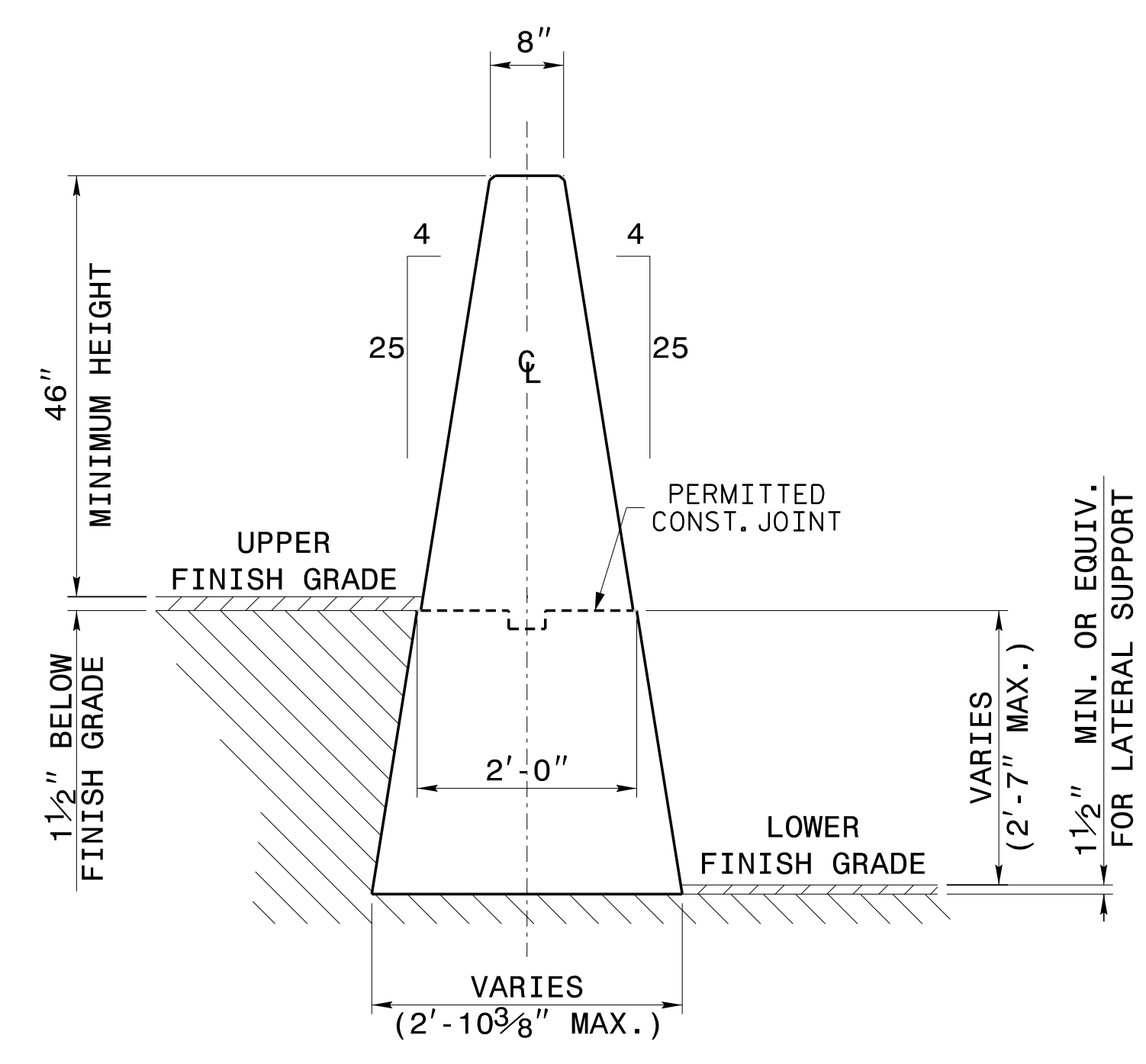


**TRANSITION FROM STANDARD CONCRETE BARRIER BRIDGE RAIL
TO SINGLE SLOPE BARRIER**



SECTION A-A
STANDARD CONCRETE BARRIER BRIDGE RAIL



SECTION B-B
SINGLE SLOPE CONCRETE BARRIER

NOTES:
SEE SPECIAL DETAILS PERTAINING TO SINGLE SLOPE BARRIERS FOR CONSTRUCTION METHODS AND STEEL PLACEMENT.

SEE STRUCTURE PLANS FOR CONCRETE BARRIER RAIL CONSTRUCTION METHODS AND STEEL PLACEMENT.

DIMENSIONS OF CONCRETE BARRIER RAIL ARE APPROXIMATE AND SHOULD BE FIELD VERIFIED.

5/16/2024



DocuSigned by:
John A. Ditzworth
021382269228438

WETHERILL ENGINEERING
1223 Jones Franklin Rd.
Raleigh, N.C. 27606
License No. F-0377
Bus: 919 851 8077
Fax: 919 851 8107

TRANSPORTATION PLANNING/DESIGN - BRIDGE/STRUCTURE DESIGN
CIVIL/SITE DESIGN - GIS/GPS - CONSTRUCTION OBSERVATION

**DOCUMENT NOT CONSIDERED FINAL
UNLESS ALL SIGNATURES COMPLETED**

**SINGLE SLOPE
CONCRETE BARRIER
TRANSITION**

ORIGINAL BY: _____	DATE: _____
MODIFIED BY: _____	DATE: _____
CHECKED BY: _____	DATE: _____
FILE SPEC.: _____	