

4/5/2024  
 P:\2023\23128\_01\_HB-0003\Traffic\Design\Pre-Let\Plan\Pavement Markings\HB-0003\_PMP\_01.dgn  
 User: AHayes

**CONTRACT: MA T.I.P.: HB-0003**

**STATE OF NORTH CAROLINA  
 DEPARTMENT OF TRANSPORTATION**

**PAVEMENT MARKING PLAN  
 HAYWOOD COUNTY**

TIP NO. HB - 0003	SHEET NO. PMP - 01
DocuSigned by: APPROVED:	
DATE: 4/8/2024	
SEAL 	
DOCUMENT NOT CONSIDERED FINAL UNLESS ALL SIGNATURES COMPLETED	

**INDEX**

SHEET NO.	DESCRIPTION
PMP-01	PAVEMENT MARKING PLAN TITLE AND SCHEDULE SHEET
PMP-02	PAVEMENT MARKING DETAIL

**ROADWAY STANDARD DRAWING**

THE FOLLOWING ROADWAY STANDARDS AS SHOWN IN "ROADWAY STANDARD DRAWINGS" - PROJECT SERVICES UNIT - N.C. DEPARTMENT OF TRANSPORTATION - RALEIGH, N.C., DATED JANUARY 2024 ARE APPLICABLE TO THIS PROJECT AND BY REFERENCE HEREBY ARE CONSIDERED A PART OF THESE PLANS:

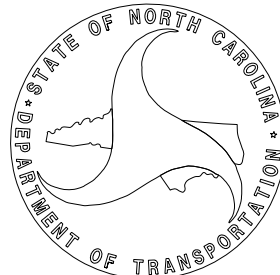
STD. NO.	TITLE
1205.01	PAVEMENT MARKINGS - LINE TYPES AND OFFSETS
1205.02	PAVEMENT MARKINGS - TWO-LANE AND MULTILANE ROADWAYS
1205.04	PAVEMENT MARKINGS - INTERSECTIONS
1250.01	RAISED PAVEMENT MARKERS - INSTALLATION SPACING
1261.01	GUARDRAIL AND BARRIER DELINEATORS - INSTALLATION SPACING
1261.02	GUARDRAIL AND BARRIER DELINEATORS - TYPES AND MOUNTING
1262.01	GUARDRAIL END DELINEATION

**FINAL PAVEMENT MARKING SCHEDULE**

SYMBOL	DESCRIPTION	PAY ITEM
T1	WHITE SOLID EDGE LINE	THERMOPLASTIC (4", 90 MIL)
T5	2 FT. - 6 FT./SP WHITE MINISKIP	THERMOPLASTIC (4", 90 MIL)
T13	YELLOW DOUBLE CENTER	THERMOPLASTIC (4", 90 MIL)
T20	WHITE SOLID EDGE LINE	THERMOPLASTIC (6", 90 MIL)
T22	10 FT. - 30 FT./SP WHITE SKIP	THERMOPLASTIC (6", 90 MIL)
T30	YELLOW EDGELINE	THERMOPLASTIC (6", 90 MIL)
T61	WHITE STOPBAR	THERMOPLASTIC (24", 90 MIL)
MF	CRYSTAL & RED	NON-CAST IRON SNOWFLOWABLE MARKER

**PLAN SUBMITTED TO:**

**ZACH SHULER**



**GENERAL NOTES**

THE FOLLOWING GENERAL NOTES APPLY AT ALL TIMES FOR THE DURATION OF THE CONSTRUCTION PROJECT, EXCEPT WHEN OTHERWISE NOTED IN THE PLAN, OR DIRECTED BY THE ENGINEER.

- A) INSTALL PAVEMENT MARKINGS AND PAVEMENT MARKERS ON THE FINAL SURFACE AS FOLLOWS:
 

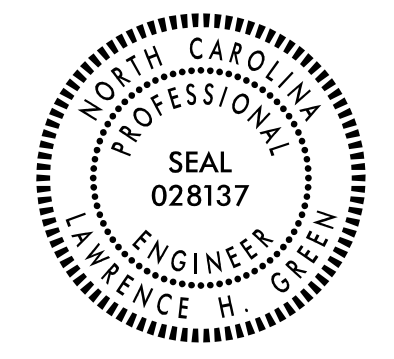
ROAD NAME	MARKING	MARKER
I-40	THERMOPLASTIC	NON-CAST IRON SNOWFLOWABLE
-Y- LINES	THERMOPLASTIC	NONE
- B) TIE PROPOSED PAVEMENT MARKING LINES TO EXISTING PAVEMENT MARKING LINES.
- C) REMOVE/REPLACE ANY CONFLICTING/DAMAGED PAVEMENT MARKINGS AND MARKERS.
- D) PASSING ZONES WILL BE DETERMINED IN THE FIELD AND MUST BE APPROVED BY THE ENGINEER.
- E) STOP BAR LOCATION AT NON-SIGNALIZED INTERSECTIONS MAY BE ADJUSTED AS DIRECTED BY THE ENGINEER.
- F) UNLESS OTHERWISE SPECIFIED, HEATED-IN-PLACE THERMOPLASTIC MAY BE USED IN LIEU OF COLD APPLIED PLASTIC FOR STOP BARS, SYMBOLS, CHARACTERS AND DIAGONALS ON ASPHALT OR CONCRETE ROADWAYS. IF HEATED-IN-PLACE IS USED, IT SHALL BE PAID FOR USING THE COLD APPLIED PAY ITEM.
- G) ALL STATION ARE CONSIDERED +/- UNLESS OTHERWISE SHOWN ON THE PLANS.

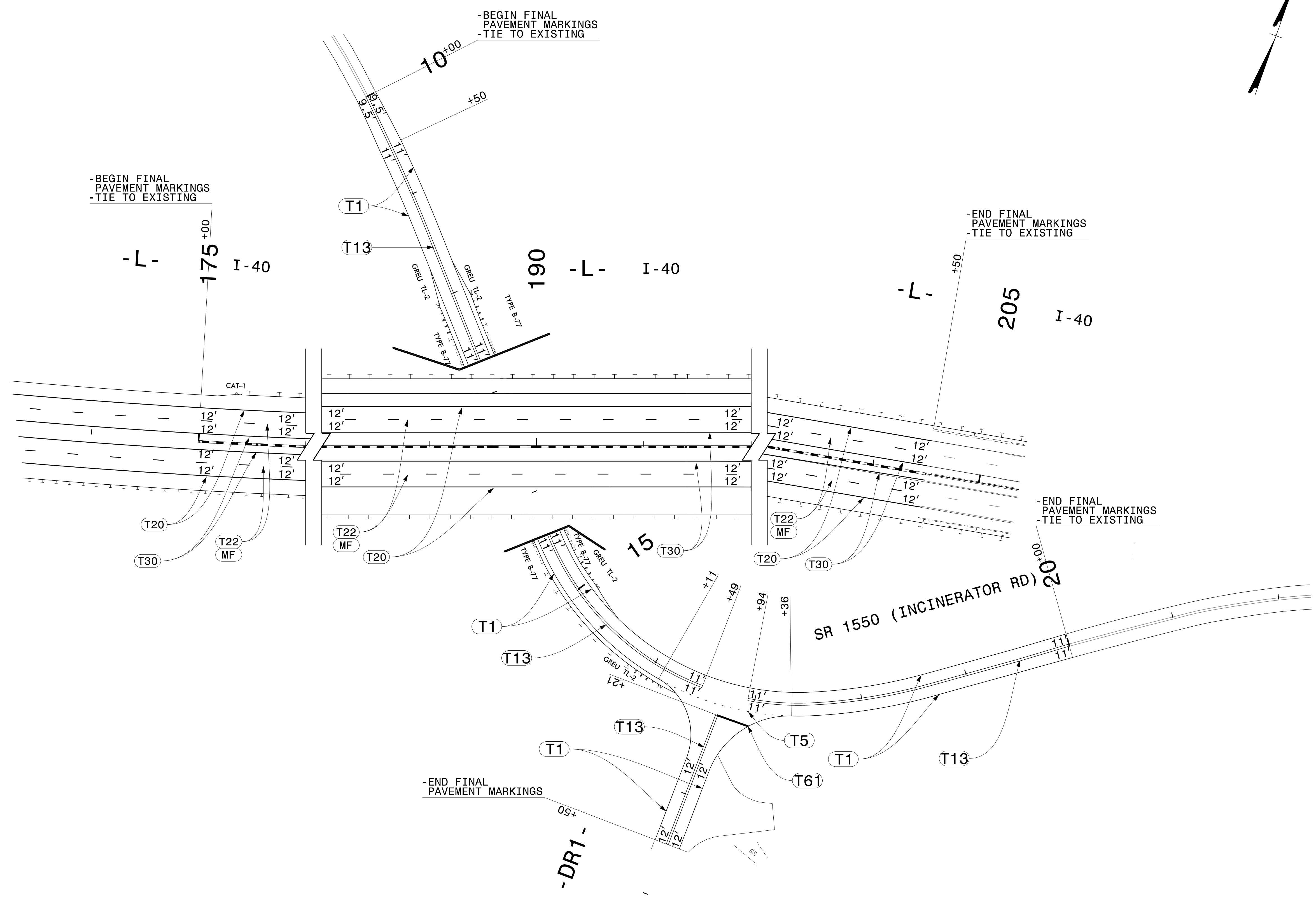
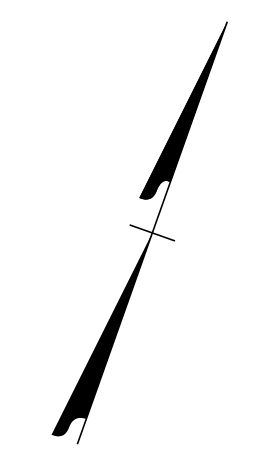
**PLAN PREPARED BY: Wetherill Engineering, Inc.**

**JONATHAN HEFNER, P.E.** PROJECT MANAGER  
**D. ALLEN HAYES, E.I.** TRAFFIC DESIGN ENGINEER

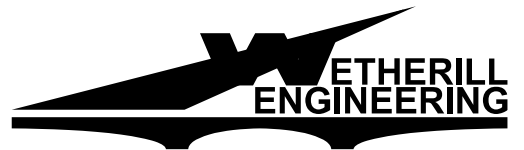
1223 Jones Franklin Rd.  
 Raleigh, N.C. 27606  
 License No. F-0377  
 Bus: 919 851 8077  
 Fax: 919 851 8107

TRANSPORTATION PLANNING/DESIGN - BRIDGE/STRUCTURE DESIGN  
 CIVIL/SITE DESIGN - GIS/GPS - CONSTRUCTION OBSERVATION

TIP NO. HB-0003	SHEET NO. PMP-02
APPROVED: <i>Laura K. Green</i> 4/8/2024	
DATE: 4/8/2024	
SEAL 	
DOCUMENT NOT CONSIDERED FINAL UNLESS ALL SIGNATURES COMPLETED	



4/5/2024  
P:\2023\23128.01\_HB-0003\Traffic\Design\Pre-Let\Plan\Pavement Markings\HB-0003\_PMP\_02.dgn  
User: Ahayes



1223 Jones Franklin Rd.  
Raleigh, N.C. 27606  
License No. F-0377  
Bus: 919 851 8077  
Fax: 919 851 8107

TRANSPORTATION PLANNING/DESIGN - BRIDGE/STRUCTURE DESIGN  
CIVIL/SITE DESIGN - GIS/GPS - CONSTRUCTION OBSERVATION

### PAVEMENT MARKING DETAIL