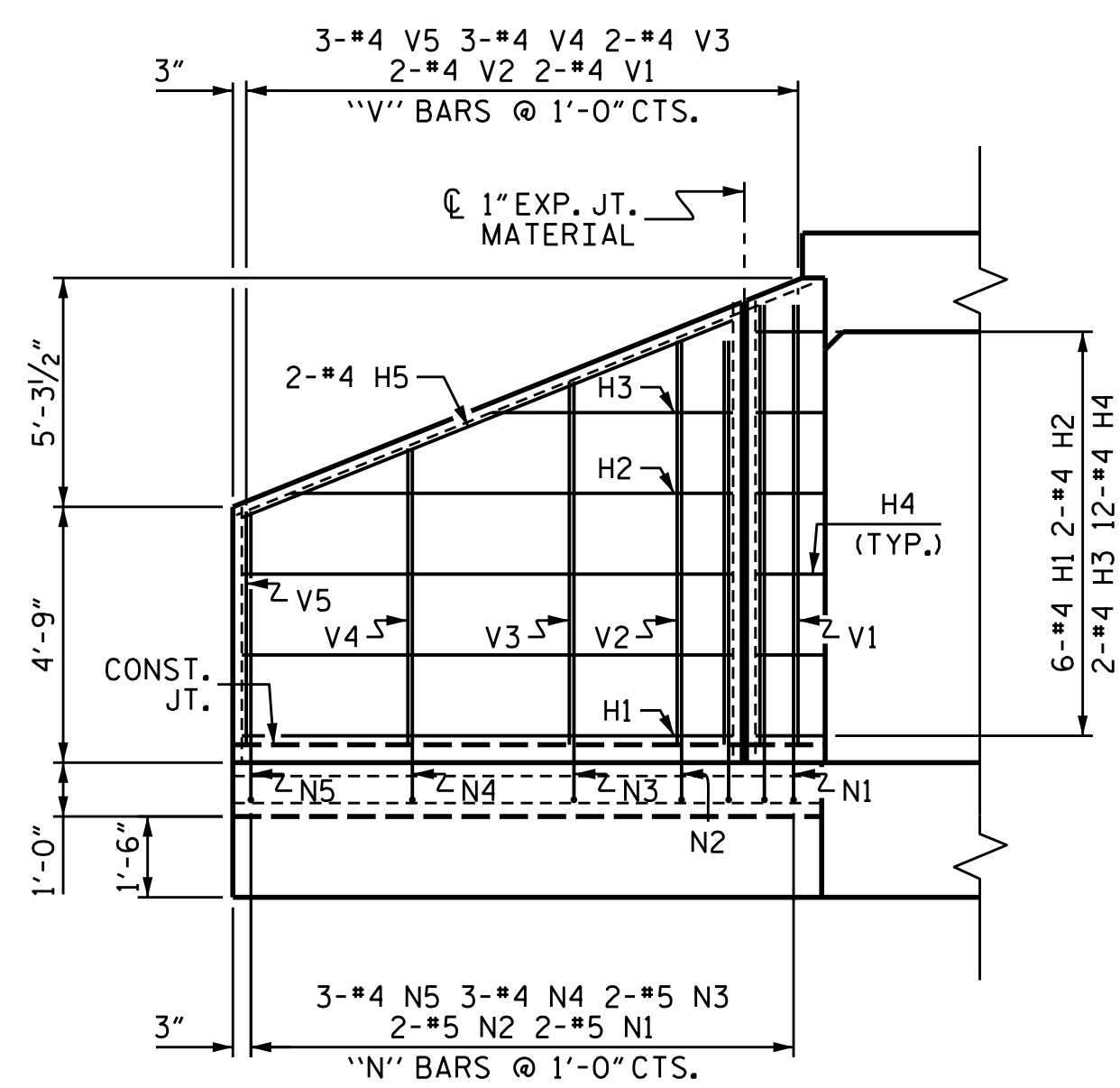
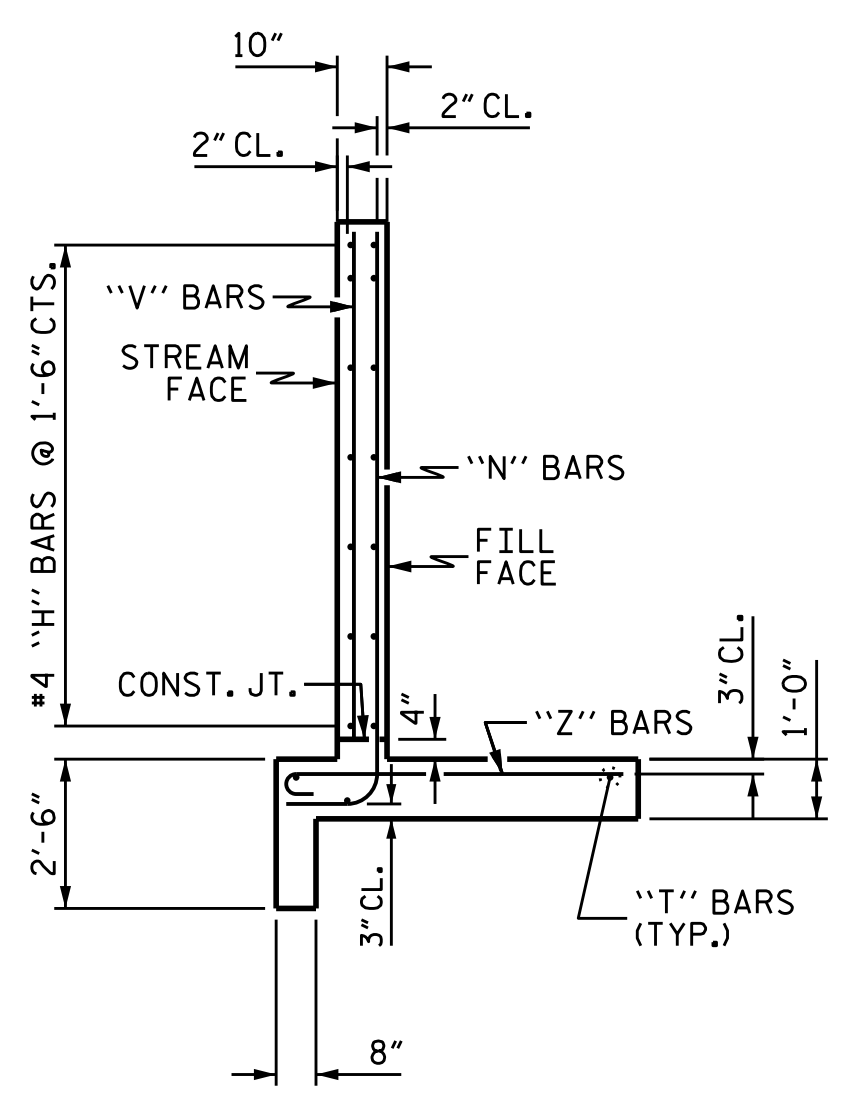


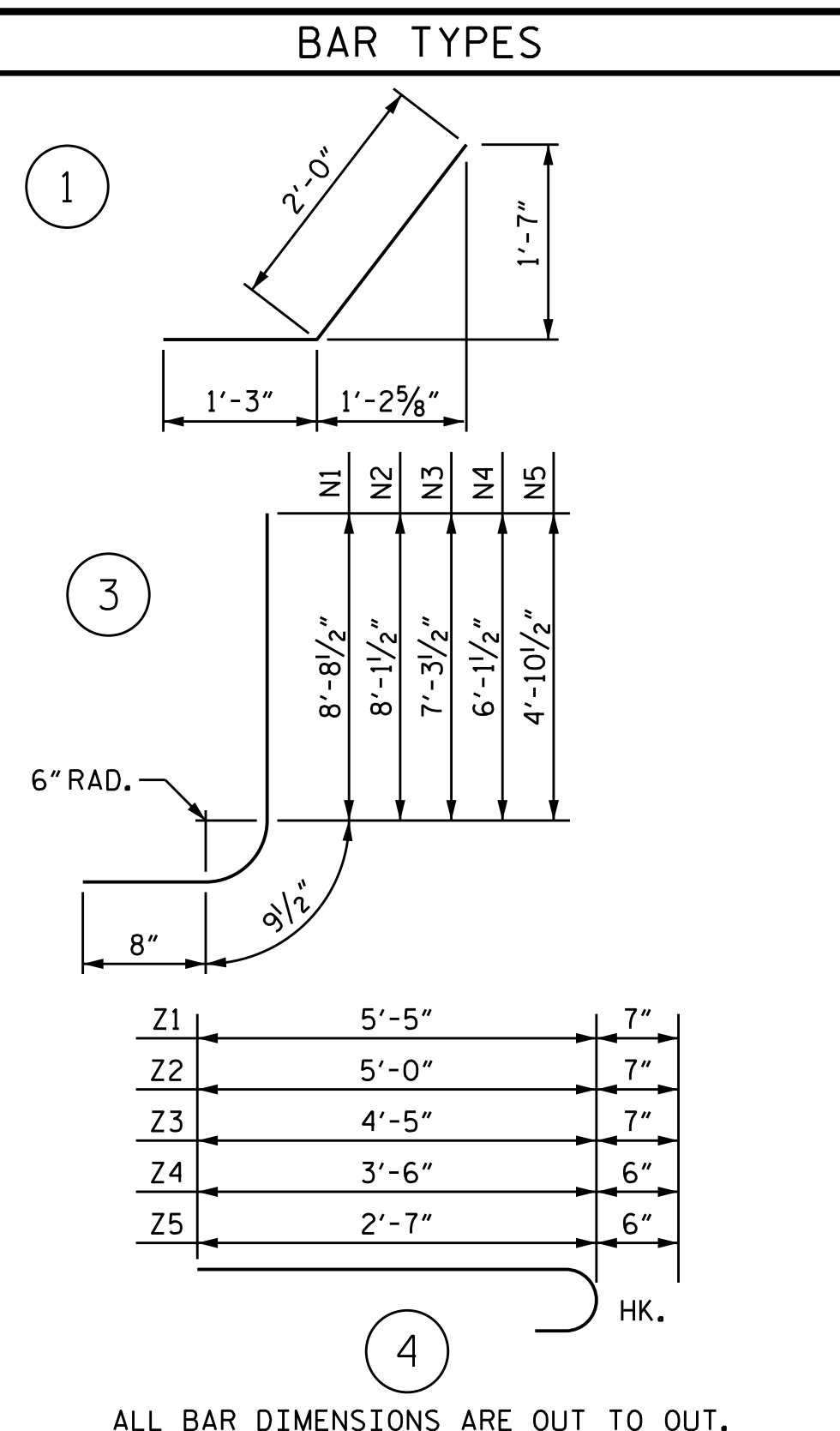
PLAN W2



ELEVATION W2

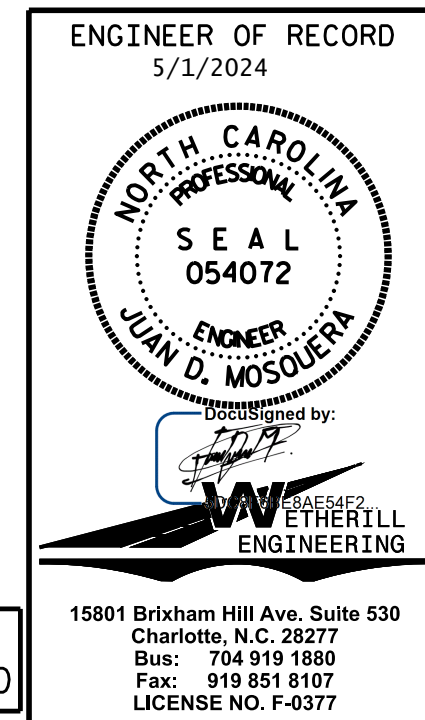


TYPICAL WING SECTION



BILL OF MATERIAL FOR W2					
BAR NO.	NO.	SIZE	TYPE	LENGTH	WEIGHT
H1	6	#4	STR	9'-1"	36
H2	2	#4	STR	8'-2"	11
H3	2	#4	STR	4'-5"	6
H4	12	#4	1	3'-3"	26
H5	2	#4	STR	9'-10"	13
N1	2	#5	3	10'-2"	21
N2	2	#5	3	9'-7"	20
N3	2	#5	3	8'-9"	18
N4	3	#4	3	7'-7"	15
N5	3	#4	3	6'-4"	13
S1	3	#6	STR	6'-0"	27
T1	3	#5	STR	11'-0"	34
V1	2	#4	STR	8'-2"	11
V2	2	#4	STR	7'-6"	10
V3	2	#4	STR	6'-9"	9
V4	3	#4	STR	5'-6"	11
V5	3	#4	STR	4'-4"	9
Z1	2	#5	4	6'-0"	13
Z2	2	#5	4	5'-7"	12
Z3	2	#5	4	5'-0"	10
Z4	3	#4	4	4'-0"	8
Z5	3	#4	4	3'-1"	6
REINFORCING STEEL FOR 1 WING				339	LBS
CLASS A CONCRETE 1 WING				4.9	CY

PROJECT NO. HB-0003  
HAYWOOD COUNTY  
 STATION: 188+14.00 -L-



REVISIONS					
NO.	BY:	DATE:	NO.	BY:	DATE:
1			3		
2			4		

DOCUMENT NOT CONSIDERED FINAL  
 UNLESS ALL SIGNATURES COMPLETED

15801 Brixham Hill Ave, Suite 530  
 Charlotte, N.C. 28277  
 Bus: 704.919.1880  
 Fax: 919.851.8107  
 LICENSE NO. F-0377

STD. NO. CW7508

P:\2023\2312801-HB-0003-Structures\DWG\CULVERT EXT 12-2023\C-8 TO C-9 HB-003\_SMU\_CU\_W\INGWALLS.dgn  
 5/11/2024 3:17:23 PM

ASSEMBLED BY : J. PENDERGRAFT	DATE : 11-28-23
CHECKED BY : J. DILWORTH	DATE : 11-28-23
DRAWN BY : CCJ 01/00	REV. 6/19 MAA/THC
CHECKED BY : RWW 03/00	