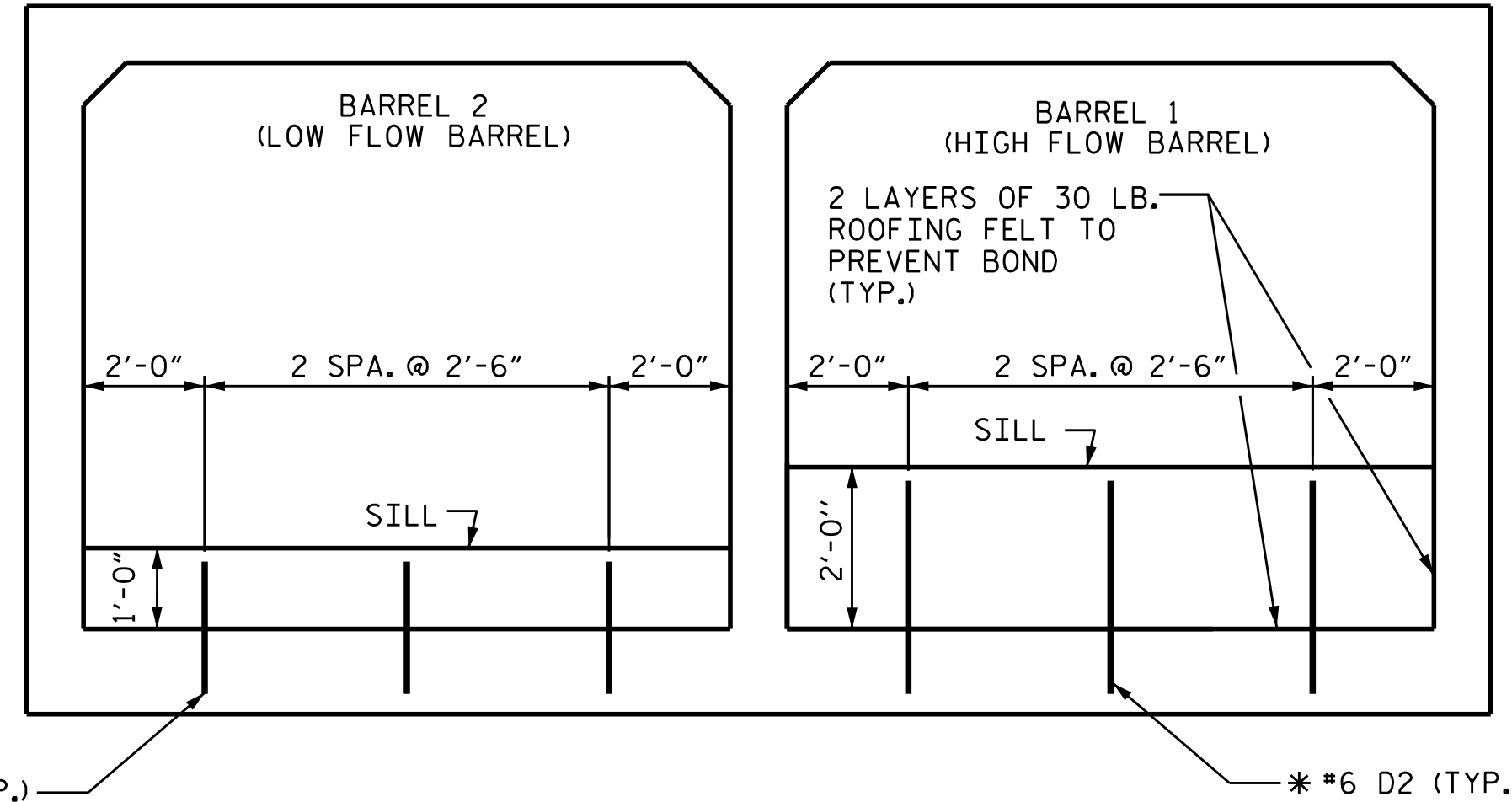


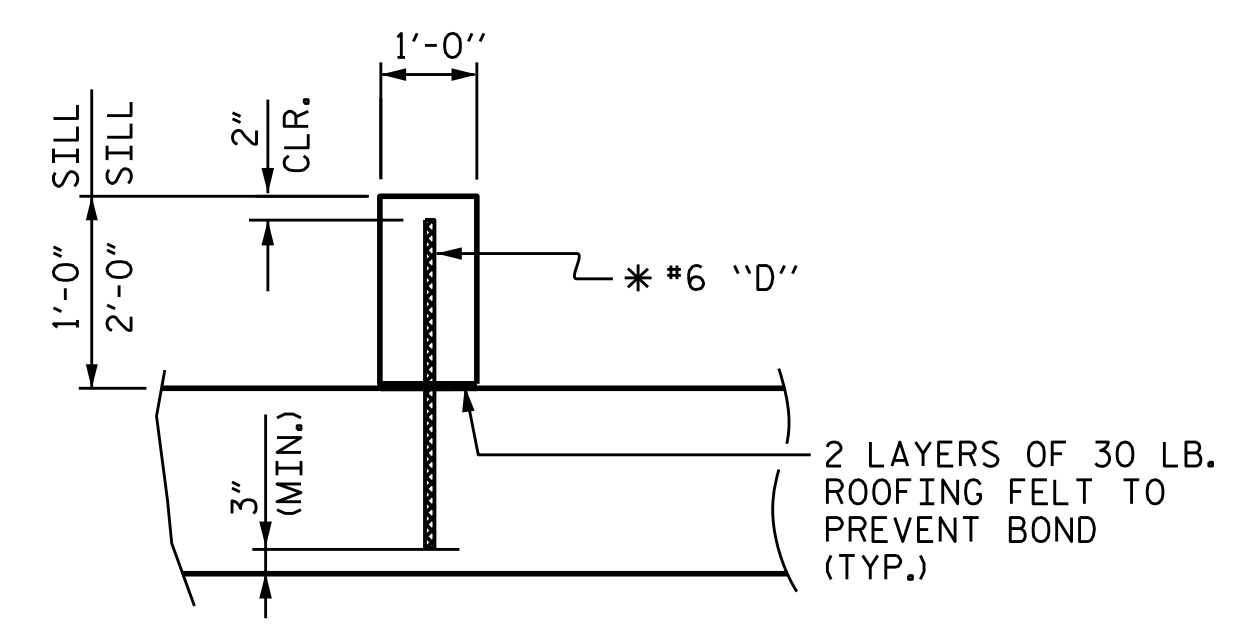
**PLAN - SILL LOCATION**  
SHOWING PLACEMENT OF SILLS

**NOTES:**

- 1) NATIVE MATERIAL IN THE CULVERT SHALL PROVIDE A CONTINUOUS LOW FLOW CHANNEL. NATIVE MATERIAL CONSISTS OF MATERIAL THAT IS EXCAVATED FROM THE THE STREAM OR FLOODPLAIN AT THE PROJECT SITE DURING CONSTRUCTION. ONLY MATERIAL THAT IS EXCAVATED FROM THE STREAM BED MAY BE USED TO LINE THE LOW FLOW CULVERT BARREL. RIP-RAP MAY BE USED TO SUPPLEMENT THE NATIVE MATERIAL IN THE HIGH FLOW CULVERT BARREL. IF RIP-RAP IS USED TO LINE THE HIGH FLOW CULVERT BARREL, NATIVE MATERIAL SHOULD BE PLACED ON TOP TO FILL VOIDS AND PROVIDE A FLAT SURFACE FOR ANIMAL PASSAGE. NATIVE MATERIAL IS SUBJECT TO APPROVAL BY THE ENGINEER AND MAY BE SUBJECT TO PERMIT CONDITIONS.
- 2) PROPOSED CULVERT EXTENSION WILL BE BURIED 1.0'
- 3) FLOODPLAIN BENCH TO BE INSTALLED AT THE OUTLET OF THE PROPOSED RCBC IN THE RIGHT BARREL.
- 4) SILLS ARE TO BE 1.0' WIDE, CAST SEPARATELY AND ATTACHED BY DOWELS.
- 5) TOP OF LOW FLOW SILL SHOULD MATCH STREAM BED ELEVATION IN LOW FLOW CHANNEL OF STREAM (THALWEG).



**INLET ELEVATION**  
LOOKING DOWNSTREAM



**SECTION THROUGH SILL**

\* DOWELS MAY BE PUSHED INTO GREEN CONCRETE AFTER SLAB HAS BEEN FLOAT FINISHED.  
SEE "PLAN - SILL LOCATIONS" FOR SILL LOCATIONS

PROJECT NO. HB-0003  
HAYWOOD COUNTY  
STATION: 188+14.00 -L-

**CULVERT SILL DETAILS**

P:\2023\2312801-HB-0003-Structures\DWG\CULVERT\_EXT\_12-2023\C-7\_HB-003\_SMU\_CU\_SILL.dgn 5/11/2024 3:14:12 PM

DRAWN BY : J. PENDERGRAFT DATE : 12-3-23  
CHECKED BY : J. DILWORTH DATE : 12-3-23

DOCUMENT NOT CONSIDERED FINAL  
UNLESS ALL SIGNATURES COMPLETED

ENGINEER OF RECORD  
5/1/2024

15801 Brixham Hill Ave, Suite 530  
Charlotte, N.C. 28277  
Bus: 704 919 1880  
Fax: 919 851 8107  
LICENSE NO. F-0377

STATE OF NORTH CAROLINA  
DEPARTMENT OF TRANSPORTATION  
RALEIGH

**DOUBLE 9 FT. X 8 FT.  
REINFORCED CONCRETE  
BOX CULVERT**

REVISIONS						SHEET NO.
NO.	BY:	DATE:	NO.	BY:	DATE:	C-7
1			3			TOTAL SHEETS
2			4			9