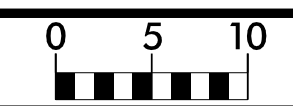
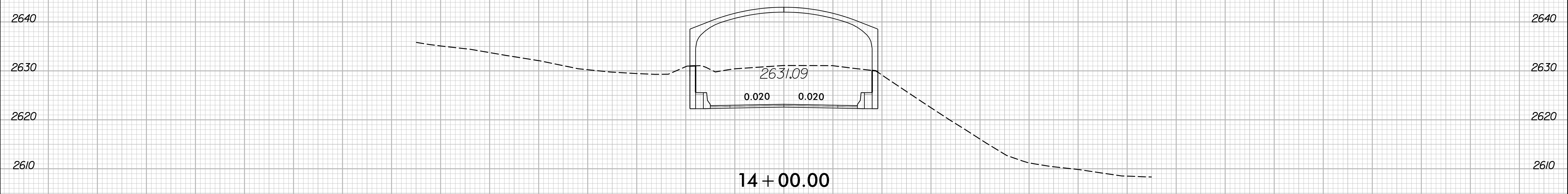
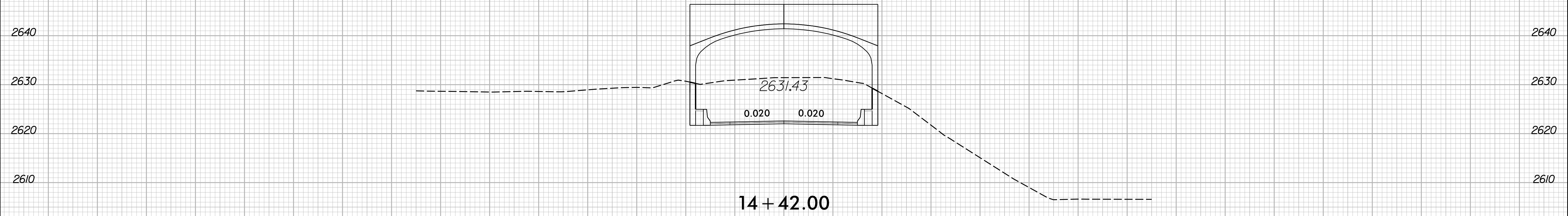
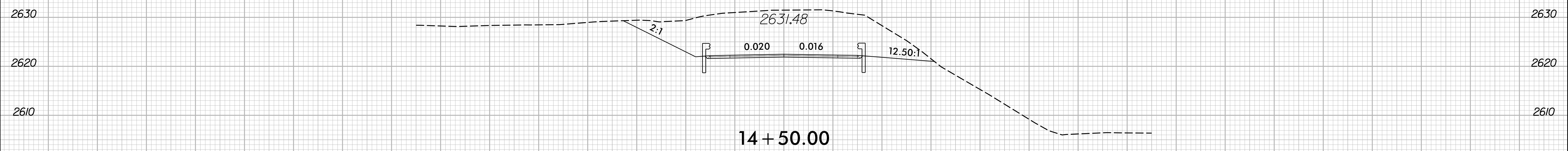
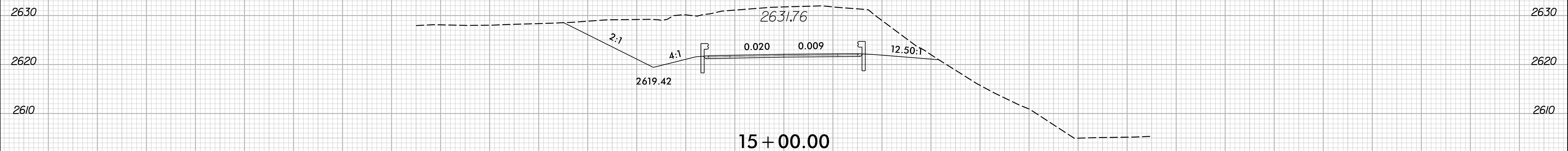


8/23/99



PROJ. REFERENCE NO.	SHEET NO.
HB-0003	X-24

150 140 130 120 110 100 90 80 70 60 50 40 30 20 10 0 10 20 30 40 50 60 70 80 90 100 110 120 130 140 150



-Y/-

150 140 130 120 110 100 90 80 70 60 50 40 30 20 10 0 10 20 30 40 50 60 70 80 90 100 110 120 130 140 150

4/25/2024 1:51:13 PM J:\HB\0003-ar.dwg_xpl.yl.dgn